



Parts Manual

Generator Set

QSB7G5 Engine with PowerCommand[®] 1.2, 3.3, and 3.3
MLD Control

C150 D2R

C200 D2R

Table of Contents

Description	Page
Safety Precautions	2
About This Manual	3
Quick Serve Online (QSOL)	3
Related Literature	4
Model Identification	5
Abbreviations	6
Labels	7
Consumables	8
Service Consumables	8
Paint and Thread Sealant	8
Engine Accessories	10
Mounting Foot	12
Air Cleaner	13
Coolant Heater	14
Radiator	18
Coolant Level Sensor	22
Generator	24
Generator Fasteners	28
Alternator Heater	29
PMG	30
Terminal Box	31
Skid	32
Battery	33
Battery Tray	34
Battery Charger	36
Fuel System	38
Fuel Level Switch	40
Enclosure	42
Neutral Earth Link	45
Breather	46
Oil System Mounting	47
Oil System	48
Control	49
Accessory Harness	52
Ground Strap	54
Alarm Module	56
Circuit Breaker	58
Circuit Breaker Box	62
Current Transformer	67
Engine Harness	69

Safety Precautions

The following symbols are used in Cummins Power Generation manuals to alert users to the potentially dangerous conditions relating to maintenance of equipment and replacement of parts. Please read and observe.



This symbol warns of immediate hazards which will result in severe personal injury or death.



This symbol refers to a hazard or unsafe practice which can result in severe personal injury or death.



This symbol refers to a hazard or unsafe practice which can result in severe personal injury or product or property damage.

Product Safety Precautions

Before operating the generator set, read the manuals and become familiar with them and the equipment. Safe and efficient operation can be achieved only if the equipment is properly operated and maintained. Many accidents are caused by failure to follow fundamental rules and precautions.



Note:

It is in the Operator's interest to read and understand all Health and Safety information together with all Warnings and Cautions contained within the documentation relevant to the generator set, its operation and daily maintenance.



Improper operation and maintenance can lead to severe personal injury or loss of life and property by fire, electrocution, mechanical breakdown or exhaust gas asphyxiation. Read and follow all safety precautions in the health and safety manual 0908-0110.



Service and repair of Cummins Power Generation equipment must be performed by trained, experienced personnel only. Improper service, repair or replacement of parts may result in damage to equipment & property, severe personal injury or death. Do not use this catalog as a guide to servicing your equipment. Read and follow the IMPORTANT SAFETY INSTRUCTIONS in the Service Manual appropriate for the equipment you are working on.



Contact with USED ENGINE OILS has been identified by a United States federal agency and some USA state agencies as causing CANCER or REPRODUCTIVE TOXICITY. When checking or changing engine oils take all necessary precautions not to ingest, breathe the fumes or contact the used oil.



Contact with ASBESTOS has been identified by a United States federal agency and some USA state agencies as causing CANCER or REPRODUCTIVE TOXICITY. When handling engine gaskets take all necessary precautions not to ingest, breathe or contact the dust from the gaskets! Use adequate ventilation and wear protective gloves, masks and clothing!



Contact with BENZINE and LEAD, found in gasoline, fuel additives and solvents has been identified by a United States federal agency and some USA state agencies as causing CANCER or REPRODUCTIVE TOXICITY. When checking, draining or adding gasoline and fuel additives or using solvents take all necessary precautions not to ingest, breathe the fumes or contact the liquids. Use adequate ventilation and wear protective gloves, masks and protective clothing!

About This Manual

This manual applies to the generator models C150 D2R and C200 D2R. Parts illustrations are arranged in groups relating to their position and function on the generator set. Each part illustrated is identified by a reference number corresponding to the list of part numbers in the accompanying table.

Engine and alternator parts that have been modified or added by Cummins Power Generation are identified in this catalog. Contact your nearest authorized distributor for assistance in ordering replacement parts. All other replacement parts must be ordered from the engine/alternator manufacturer by referring to the item nameplate and supplying all available information.

Cummins Power Generation Generator Model	Cummins Engine Model
C150 D2R	QSB7G5
C200 D2R	QSB7G5

Generator Set Data Table

Model	Electrical Data				Battery Voltage
	Watts	Hertz	Wire	Phase	
C150 D2R	150,000	50/60	4L, 6L	3	12VDC
C200 D2R	200,000	50/60	4L, 6L	3	12VDC

Replacement parts not identified in this catalogue can be ordered by contacting:

Engine Parts:

Cummins Engine Company, Ltd
 +1 (800) 343-7357
 Web: <http://www.quickserve.cummins.com>

Quick Serve Online (QSOL)

Documentation and operator manuals pertaining to the generator set are available on QuickServe Online.
 QuickServe Online: <https://quickserve.cummins.com/info/index.html>

The information contained within this manual is based on information available at the time of going to print. In line with Cummins Power Generation policy of continuous development and improvement, information may change at any time without notice. Make sure that the documentation is the latest information available. Contact your authorized distributor for assistance.

Related Literature

The related literature that is appropriate to your generator set includes:

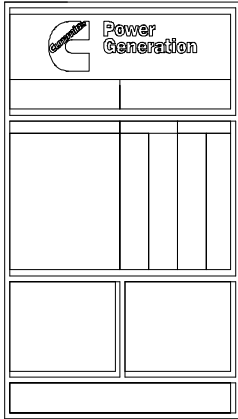
- Installation Manual for QSB7-G5 C150 D2R, C200 D2R with PC1.2 and 3.3 Control (A041R670)
- Operator Manual for QSB7-G5 C150 D2R, C200 D2R with PC1.2 Control (A042L434)
- Operator Manual for QSB7-G5 C150 D2R, C200 D2R with PC3.3 Control (A041R636)
- Service Manual for QSB7-G5 C150 D2R, C200 D2R with PC1.2 and PC3.3 Control (A042L436)
- Service Manual, Control – PowerCommand 3.3 (0900–0670)
- Service Manual, Control – PowerCommand 1.2 (A034L440)

If further information is required, contact your authorized distributor.

Model Identification

This manual covers generator set models produced under the Cummins Power Generation and Cummins Onan brand names.

To avoid errors or delay in filling your parts order, always state the MODEL and SERIAL NUMBER from the Cummins Power Generation nameplate.



The engine serial number is located on a data tag on the engine or is stamped on the engine block.

The control software number is located on the electronic control module (ECM) or can be obtained via the digital interface if one is available.

For reference document your genset information in the spaces below.

Generator Model Number: _____

Generator Set Serial Number: _____

Engine Serial Number: _____

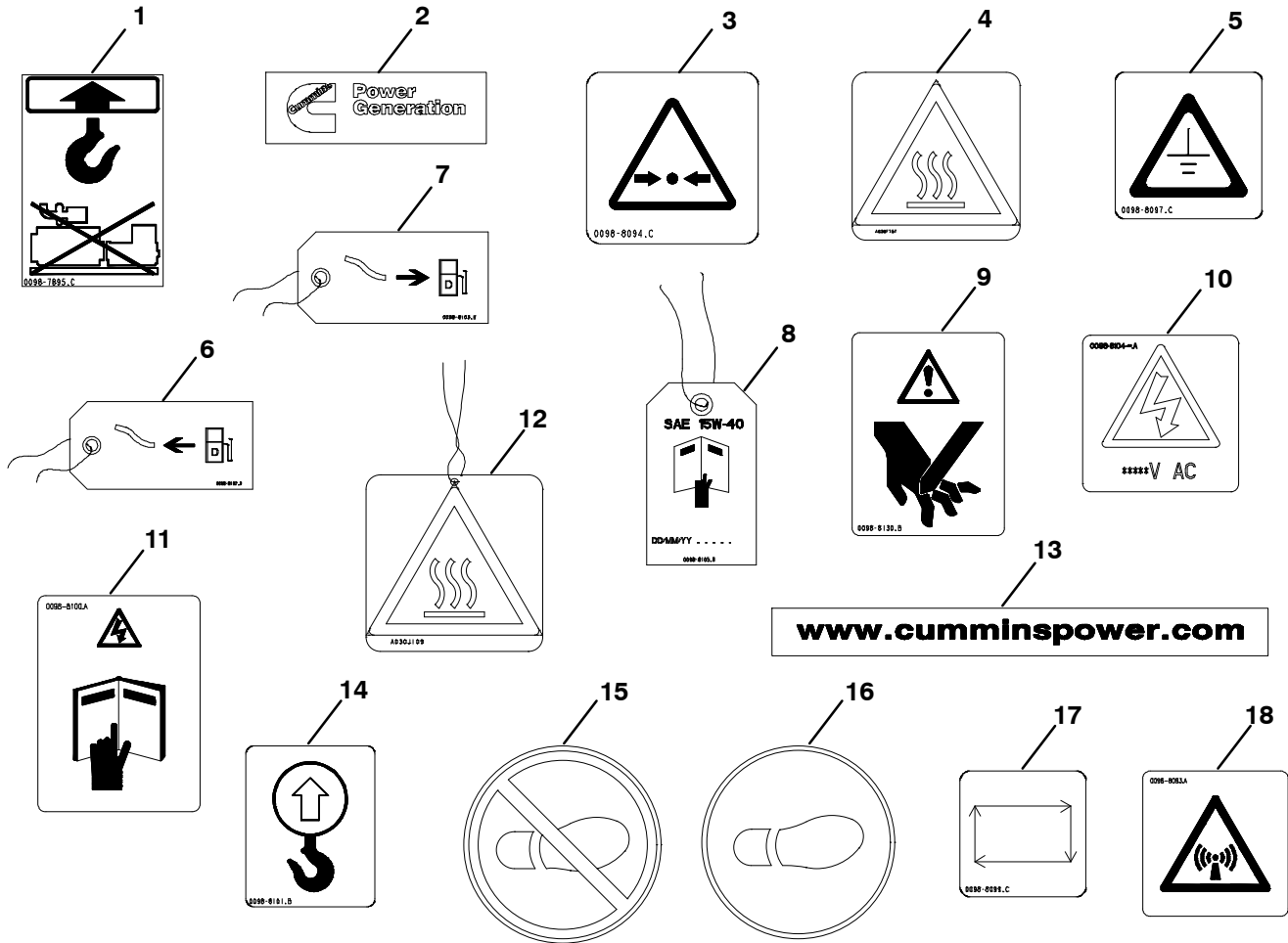
Digital Control Software: _____

Abbreviations

Some of the following abbreviations may be used throughout this Parts Manual:

AC	Alternating Current	LED	Light-Emitting Diode
ACB	Air Circuit Breaker	LTP	Limited Time Power Rating
ACH	Anti-Condensations Heaters	LTA	Low Temperature Aftercooling
ATS	Automatic Transfer Switch	LV	Low Voltage
Amp	Ampere	M	Meter
A/R	As Required	MCB	Miniature Circuit Breaker
AVR	Automatic Voltage Regulator	MCCB	Moulded Case Circuit Breaker
AWG	American Wire Gauge	MF	Mains Failed
BHP	Brake Horsepower	MFSS	Master First Start Sensor
BMS	Building Measurement System	mm	Millimeter
BST	Busbar Sensing Transformer	MOH	Mobile Off Highway
CAN	Controlled Area Network	MR	Mains Returned
CB	Circuit Breaker	MST	Mains Sensing Transformer
CCA	Cold Cranking Amps	MSU	Mains Sensing Unit
CHP	Combined Heat and Power	MV	Medium Voltage
COP	Continuous Power Rating	NEC	Neutral Earthing Contact
CT	Current Transformer	NFS	Not For Sale
dB(A)	Unit of noise level	NPT	National Pipe Thread
DC	Direct Current	OD	Outside Diameter
Deg	Degree	oz.	Ounce
DIP	Dual In-line Package	PC	PowerCommand 3.3
DMC	Digital Master Control	PC	Printed Circuit
DMSU	Demand Load Standby Unit	PF	Power Factor
ECM	Engine Control Module	Ph	Phase
EFC	Electronic Fuel Control	PFC	Power Factor Controller
EIT	External/Internal Tooth	PLC	Programmable Logic Controller
EMCU	Engine Monitoring and Control Unit	PMG	Permanent Magnet Generator
EMF	Electromotive Force	PRP	Prime Power Rating
EPROM	Erasable Programmable Read Only Memory	PSU	Power Supply Unit
EPU	Engine Protection Unit	PT/CT	Potential Transformer/Current Transformer
ET	External Tooth	PTC	Power Transfer Control
FAE	Full Authority Engine	QCC	Quadrature Current Control
FSS	First Start Sensor	RFI	Radio Frequency Interference
GCP	Generator Control Panel	RMS	Root Mean Square
Genset	Generator set	RPM	Revolutions Per Minute
GFI	Ground Fault Interrupter	RT	Right
GKWT	Global Kilowatt Transducer	RTD	Resistance Temperature Detector
HMI	Human/Machine Interface	Spec	Specification
HV	High Voltage	Thk	Thick
IC	Integrated Circuit	UL	Underwriters Laboratories Inc.
ID	Inside Diameter	UNC	Union National Coarse
IEC	International Electrotechnical Commission	UNF	Union National Fine
I/O	Input / Output	V	Volts
IT	Internal Tooth	VAC	Volts, Alternating Current
kVA	Apparent Power	VCB	Vacuum Circuit Breaker
kVAR	Reactive Power	VDC	Volts, Direct Current
kW	Active / Real Power (Kilowatt)	VF	Volt-free
kWh	Unit of electrical energy or work	VT	Voltage Transformer
LPG	Liquid Petroleum Gas	W/(ET, IT, EIT)	With
LT	Left		

Labels



Item	Part No.	Description	Qty
1	0098-7895	Label, Warning (Do Not Lift)	A/R
2	0098-7902-04	Label, Logo	1
3	0098-8094	Label, Warning	1
4	A030F757	Label, Warning	7
5	0098-8097	Label, Information	1
6	0098-8102	Label, Information	1
7	0098-8103	Label, Information	1
8	0098-8105	Label, Information	1
9	0098-8130	Label, Caution	5
10	0098-8104-05	Label, Warning	4
11	0098-8100	Label, Warning (Service Manual)	1
12	A030J109	Label, Warning	1
13	0098-8220	Label, Information	2
14	098-8101	Label, Information (Lifting Eye)	2
15	A030F080	Label, Warning	4
16	A030F078	Label, Warning	2
17	0098-8099	Label, Danger – Auto-Start	A/R
18	0098-8093	Label, Caution – Radio Interference	A/R

Consumables

The following is a list of consumables associated with the generator models covered in this manual:

Service Consumables

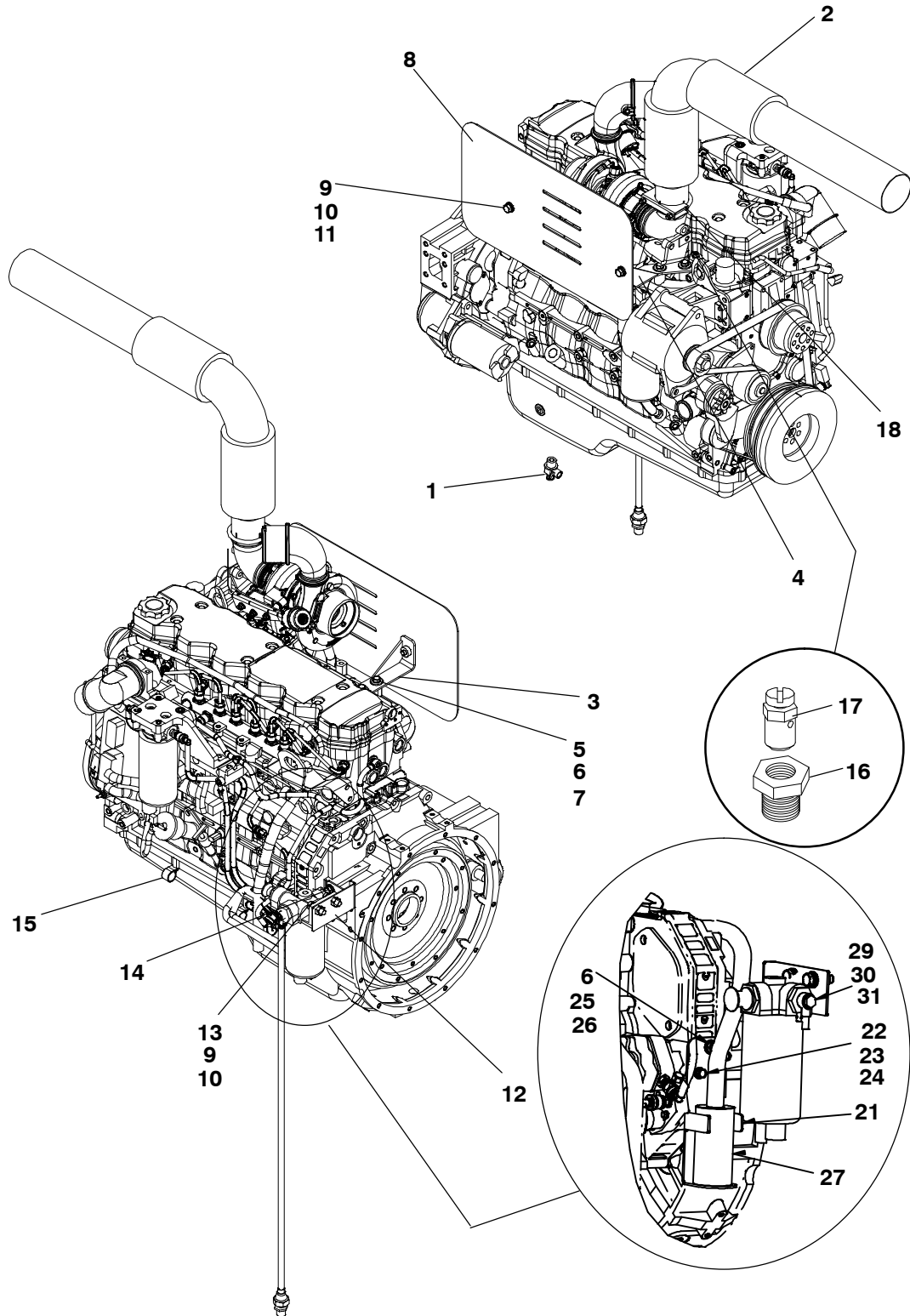
Ref. Page No.	Part No.	Description	Qty
13	0140-4305-01	Filter, Air	1

Paint and Thread Sealant

Item	Part No.	Description	Qty
1	525-0305	Onan Green Enamel (Non-Metallic) 12 oz. Pressurized Spray Can	n/a
2	518-0601	Sealant, Thread (6 ml Tube)	n/a

This page is Intentionally blank.

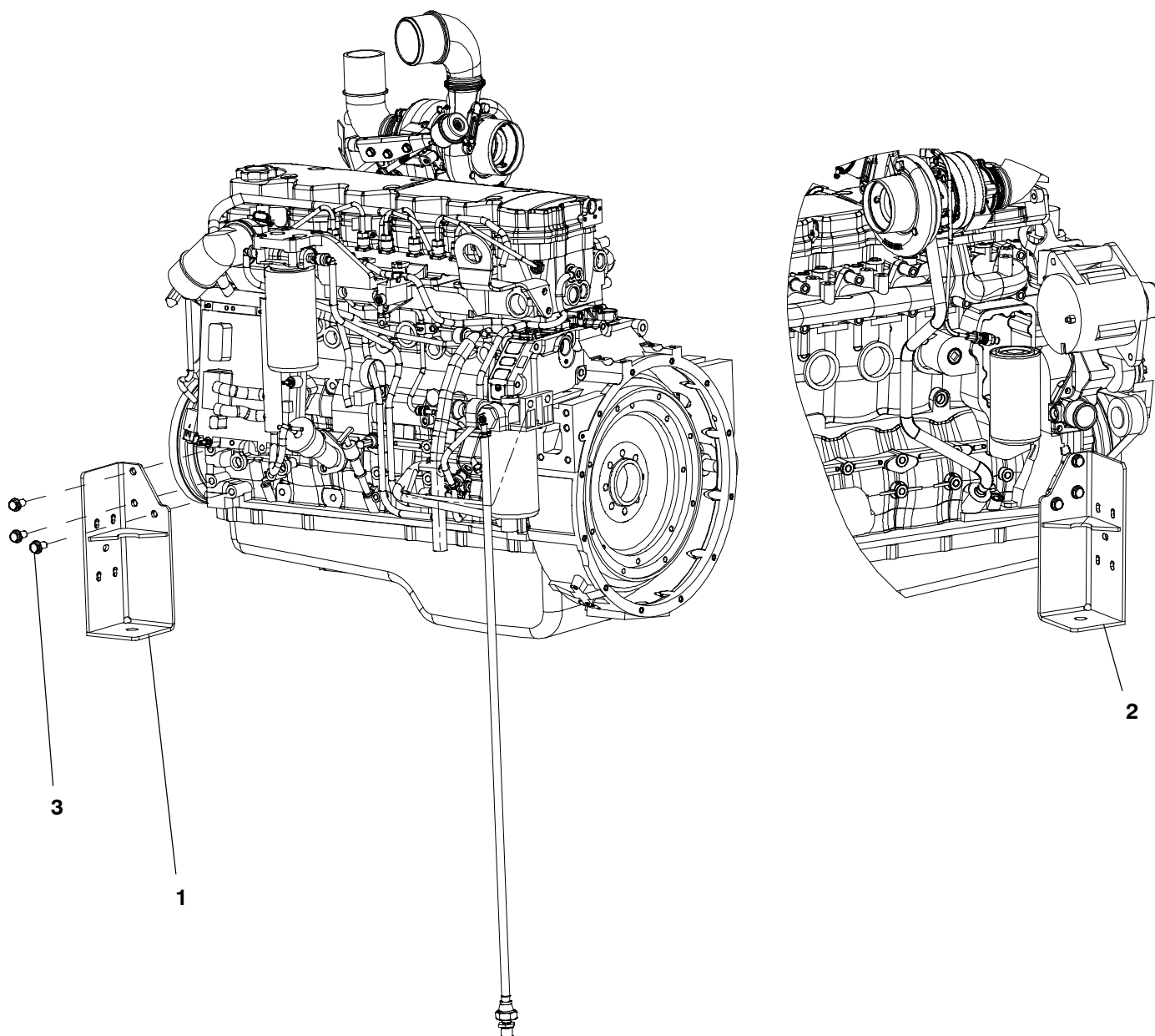
Engine Accessories



Engine Accessories

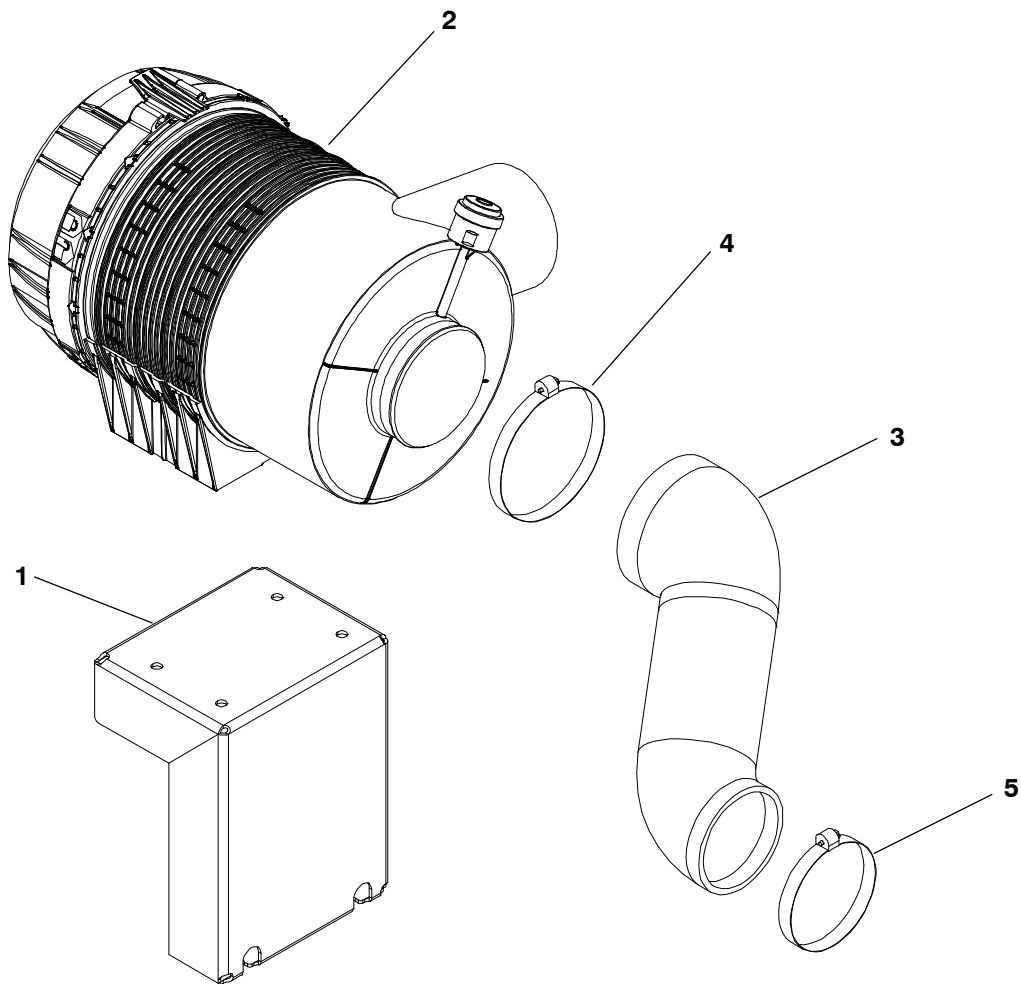
Item	Part No.	Description	Qty
	0100-4023-04	Engine – Complete (QSB7-G5)	1
1	0504-0267	Valve, Ball	1
2	0155-4763	Pipe, Exhaust	1
3	A043C988	Bracket, Heat Shield	1
4	A043C990	Bracket, Heat Shield	1
5	0526-0399-63	Washer, Flat	4
6	0850-0114-55	Washer, Lock	4
7	0800-3017-38	Screw, Hex Head	4
8	0155-4640-02	Shield, Heat	1
9	0526-0399-64	Washer, Flat	6
10	0850-0114-56	Washer, Lock	6
11	0800-3017-54	Screw, Hex Head	2
12	A034G704	Bracket, Fuel System	1
13	0800-3017-56	Screw, Hex Head	2
14	0800-2111	Screw, Hex Head	2
15	0518-0548-35	Clamp	2
16	0502-0029	Bushing, Reducer	1
17	0504-0198	Vent, Air	1
18	0155-3289	Clamp	1
19	0821-6004-01	Screw, Hex Head (Not Illustrated)	2
20	0518-0548-44	Clamp (Not Illustrated)	2
21	A046M219	Bracket, Breather	1
22	0526-0399-60	Washer, Flat	1
23	0850-0114-54	Washer, Lock	1
24	0800-3017-20	Screw, Hex Head	1
25	0526-0399-62	Washer, Flat	1
26	0800-3017-37	Screw, Hex Head	1
27	A046N964	Pan, Drip	1
28	A048H529	Filter, Breather	1
29	3957770	Screw, Banjo Connector	1
30	4929149	Connector, Banjo	1
31	A032Y042	Washer, Sealing	2

Mounting Foot



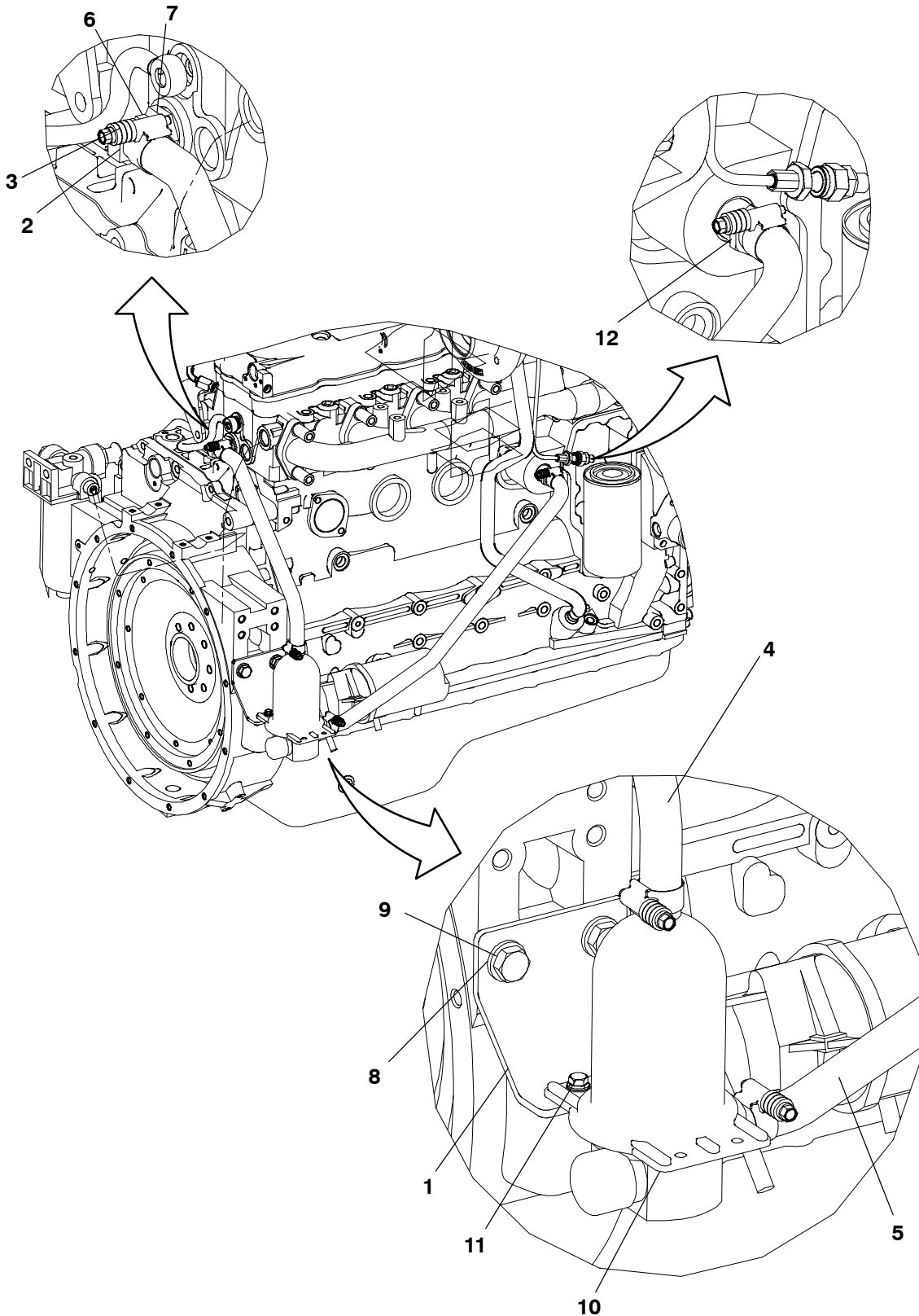
Item	Part No.	Description	Qty
1	0403-6678-02	Mount, Engine	1
2	0403-6679-02	Mount, Engine	1
3	0821-2076	Screw, Locking Flange (M12 x 1.75 x 25)	6

Air Cleaner



Item	Part No.	Description	Qty
1	0140-4041-02	Bracket, Air Filter	1
2	0140-4305-01	Filter, Air	1
3	0503-2853	Elbow, Hose	1
4	0503-1870-10	Clamp	1
5	0503-1870-08	Clamp	1

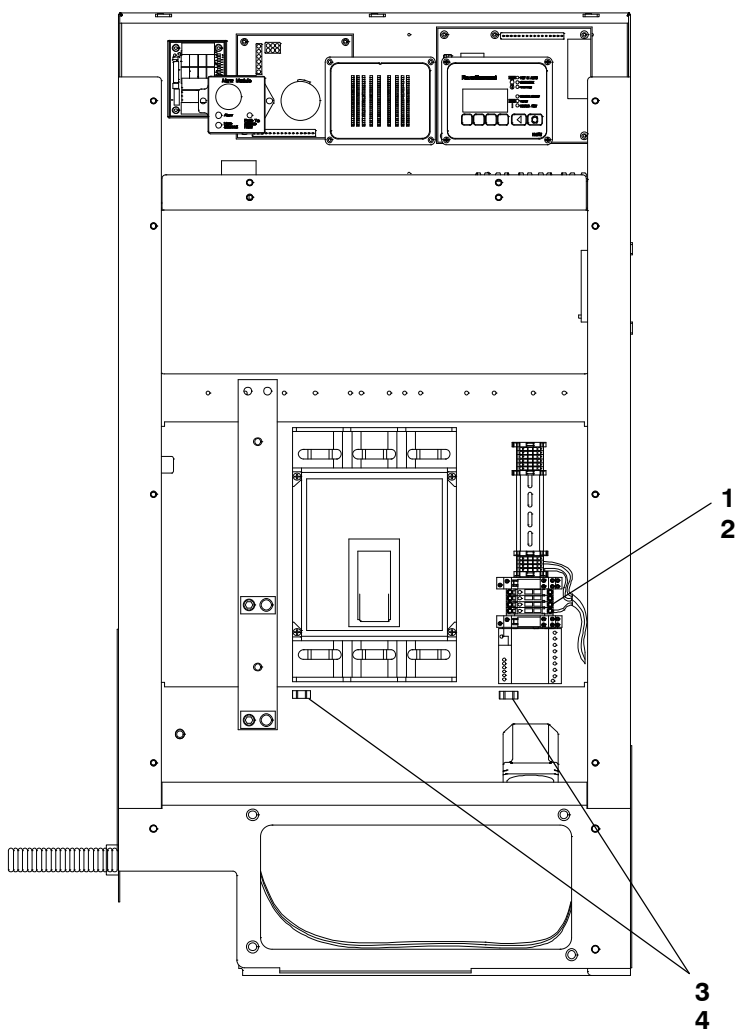
Coolant Heater



Coolant Heater

Item	Part No.	Description	Qty
1	0333-0736-02	Bracket	1
2	0502-0942	Elbow, 90° Hose	1
3	0503-2157-01	Clamp, Hose	4
4	0503-2791-03	Hose, Coolant	1
5	0503-2791-04	Hose, Coolant	1
6	0505-0019	Bushing, Reducer	1
7	0505-0021	Bushing, Reducer	1
8	0526-0399-64	Washer, Flat	2
9	0800-3017-53	Screw, Hex Head	2
10	0333-0729-02	Heater, Coolant	1
11	0821-6006-01	Screw, Hex Head	2
12	0502-1491	Fitting, Hose Connector	1

Coolant Heater Terminal Block

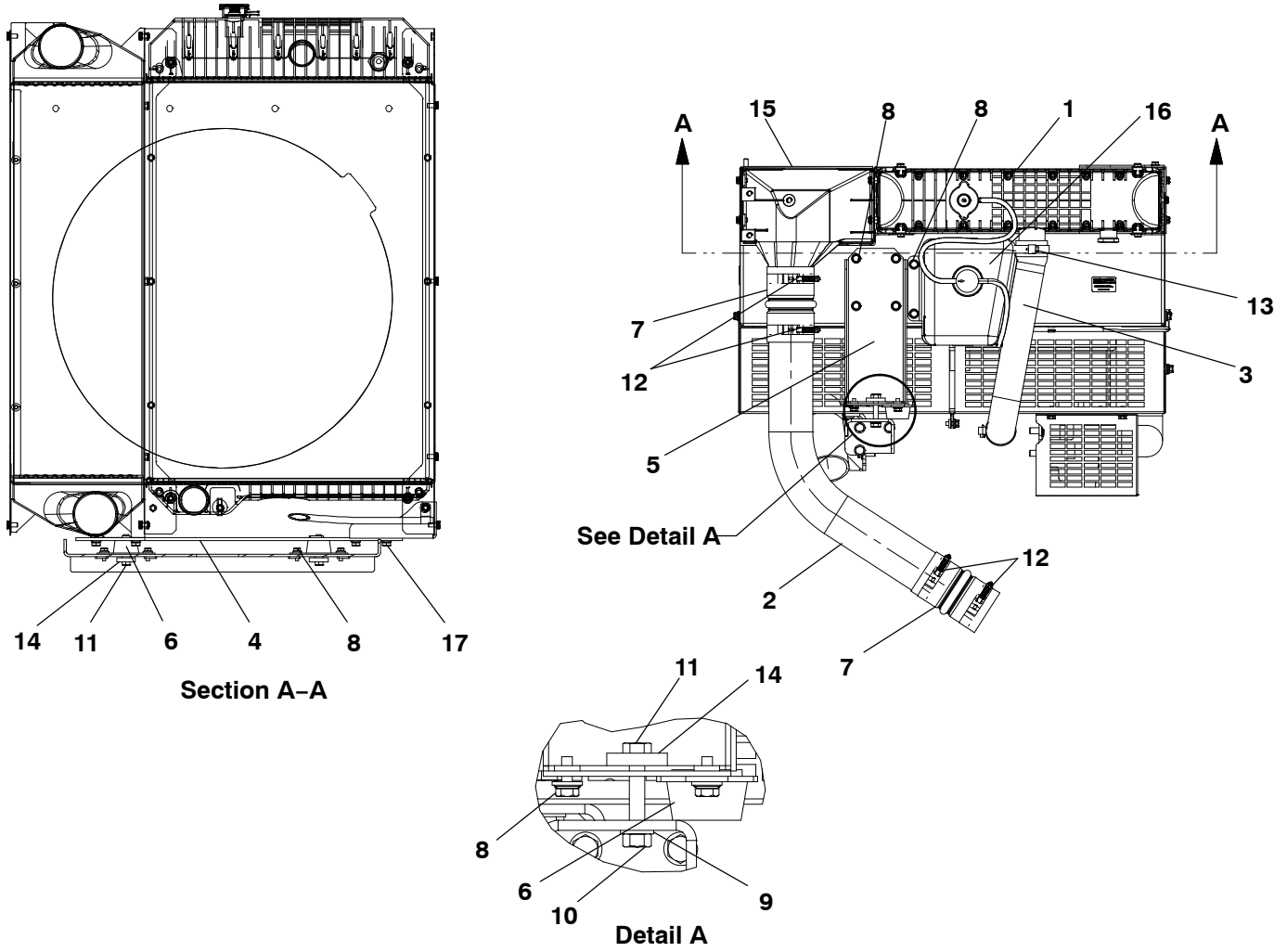


Item	Part No.	Description	Qty
1	0332-3944	Block, Terminal - Fuse	1
2	0321-0394-08	Fuse	1
3	0332-4106	Mount, Cable Tie	2
4	0332-1794	Tie, Cable	2

This page is Intentionally blank.

Radiator

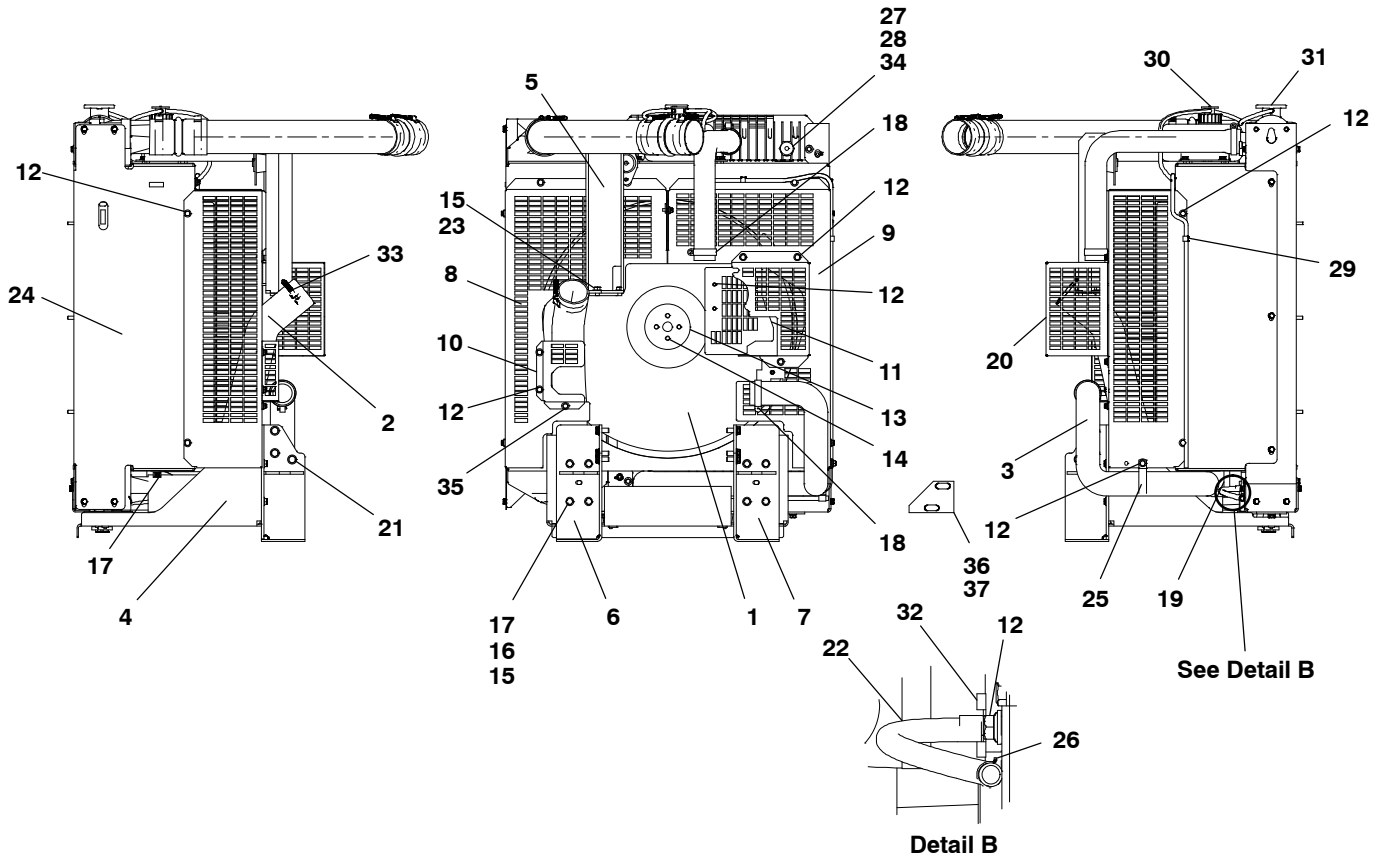
(Illustration #1)



Radiator (Illustration #1)

Item	Part No.	Description	Qty
1	0130-7452	Radiator	1
2	0130-8199	Tube, Air	1
3	0503-2861	Hose, Radiator	1
4	0130-7413-02	Bracket, Radiator	1
5	0130-7299-02	Bracket	1
6	0402-0728-02	Isolator, Vibration	3
7	0502-1293	Connector, Turbo	2
8	0821-6003-01	Screw, Hex Head	33
9	0526-2120	Washer, Flat	20
10	0860-2059	Nut	9
11	0800-2092	Screw, Hex Head	3
12	A043B417	Clamp, Hose	5
13	0503-1872-03	Clamp	3
14	0526-0392	Washer	3
15	A042N172	Box, Tool	1
16	0130-7370	Tank, Coolant Recovery	1
17	0821-6004-01	Screw, Hex Head	5

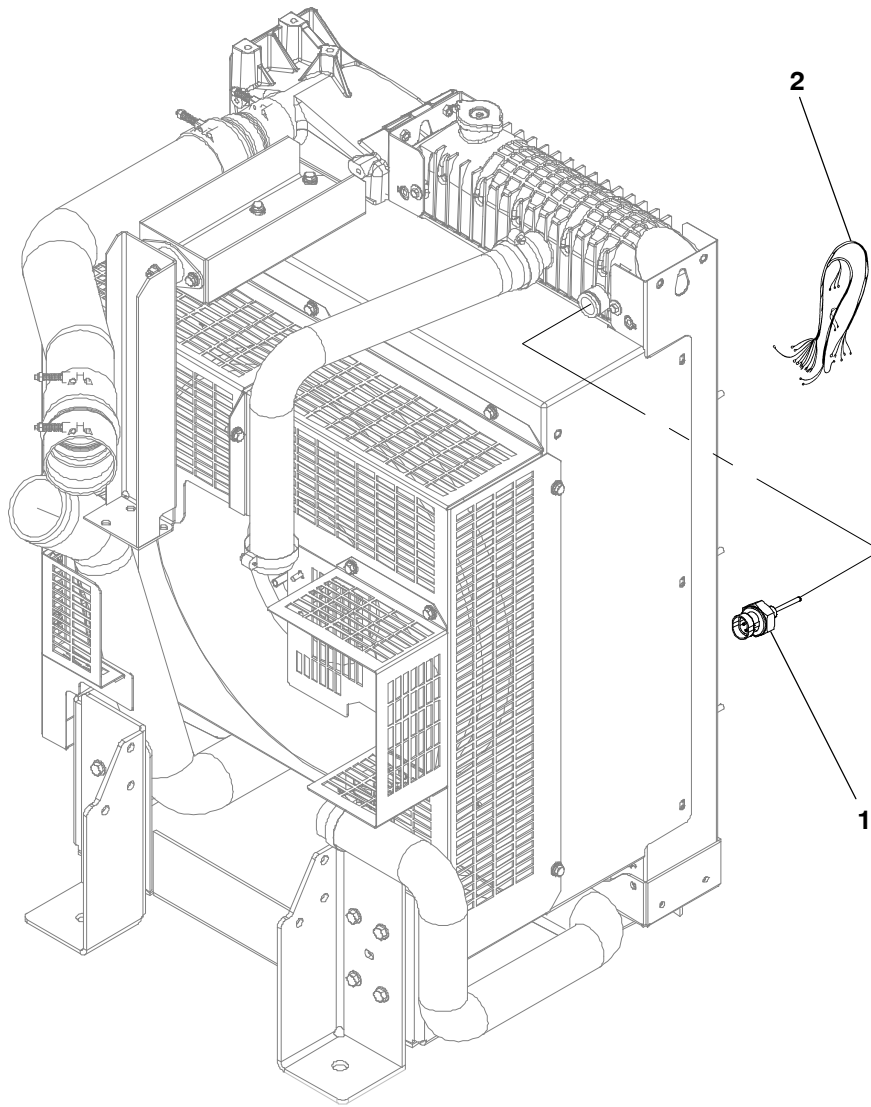
Radiator (Illustration #2)



Radiator (Illustration #2)

Item	Part No.	Description	Qty
1	0130-6774-02	Fan, Radiator	1
2	0503-3090	Tube, Air	1
3	0503-2912	Hose, Radiator	1
4	0130-7412-02	Bracket, Radiator	1
5	0130-7377-02	Bracket	1
6	0403-6679-02	Mount, Engine	1
7	0403-6678-02	Mount, Engine	1
8	A040X370	Guard, Radiator	1
9	A041M271	Guard, Radiator	1
10	0130-7313-02	Guard, Radiator	1
11	0130-7294-02	Guard, Belt	1
12	0821-6003-01	Screw, Hex Head	33
13	0130-6946-02	Plate, Support	2
14	0800-2097	Screw, Hex Head	4
15	0526-2120	Washer, Flat	20
16	0800-2087	Screw, Hex Head	8
17	0860-2059	Nut	9
18	0503-1872-03	Clamp	3
19	0503-1872-04	Clamp, Hose	1
20	0130-8217	Guard	1
21	0821-2076	Screw, Flange Head Lock	6
22	A042N103	Pipe, Flexible	1
23	0800-2084	Screw, Hex Head	3
24	0130-7454	Radiator	1
25	A042N132	Clamp, Loop	1
26	0503-2961	Clamp, Loop	1
27	A042N130	Bushing, Reducer	1
28	0526-2352	Washer, Flat	1
29	0503-2934	Clamp, Hose	3
30	0130-7688	Cap, Coolant Fill	1
31	0130-7689	Cap, Pressure	1
32	0130-7690	Drain, Radiator	1
33	A043B415	Clamp, Hose	1
34	A026G545	Adapter, Sensor	1
35	A026G869	Nut, Flange	1
36	A041A344	Guard, Radiator	1
37	0821-6003-01	Screw, Hex Head	2

Coolant Level Sensor

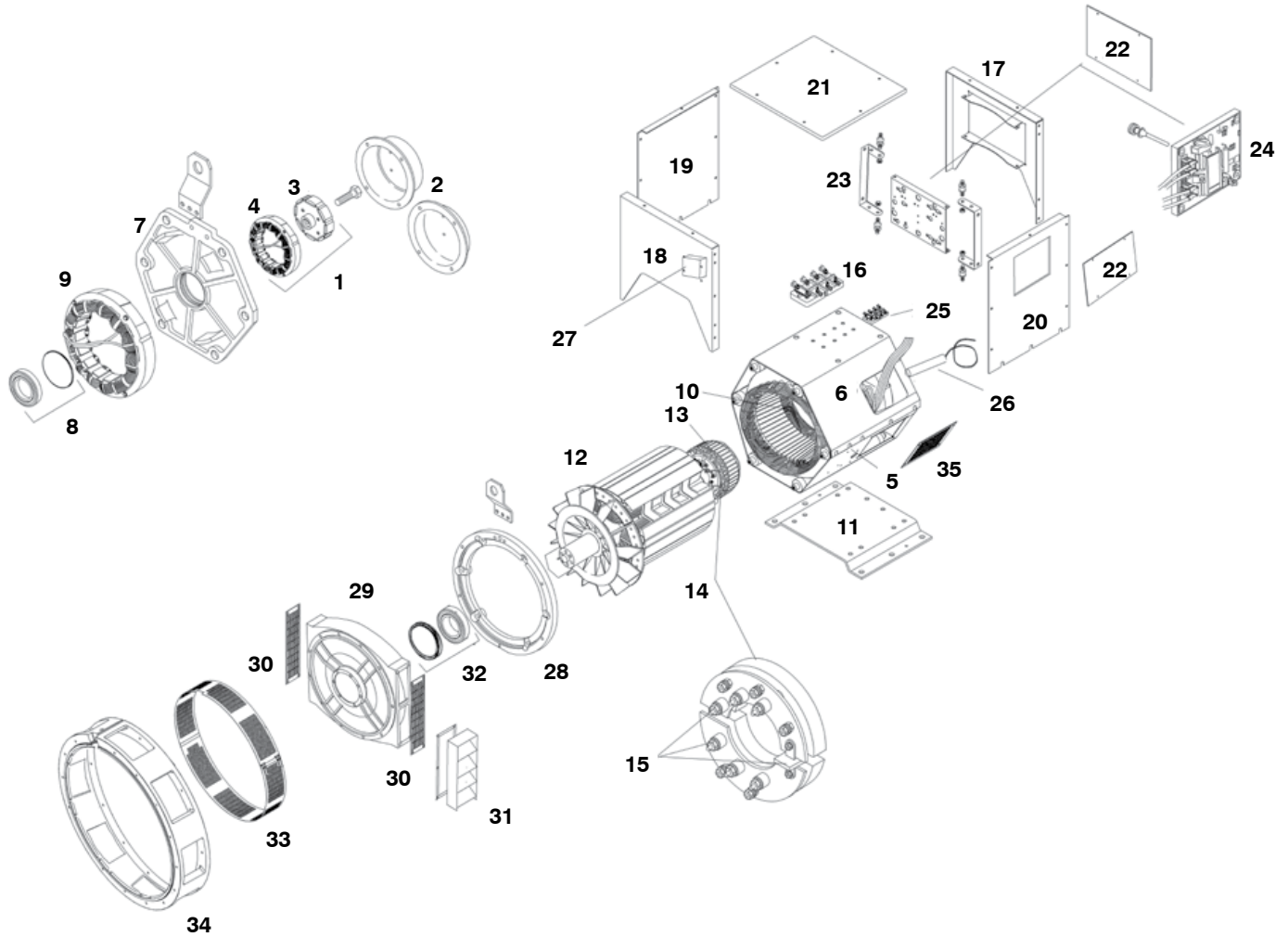


Item	Part No.	Description	Qty
1	A028Z105	Sensor, Coolant Level	1
2	A029L465	Harness, Wiring – Low Coolant Level Sensor	1

This page is Intentionally blank.

Generator

UC274 – 1 Bearing, 4 Pole



Generator – UC274 – 1 Bearing, 4 Pole

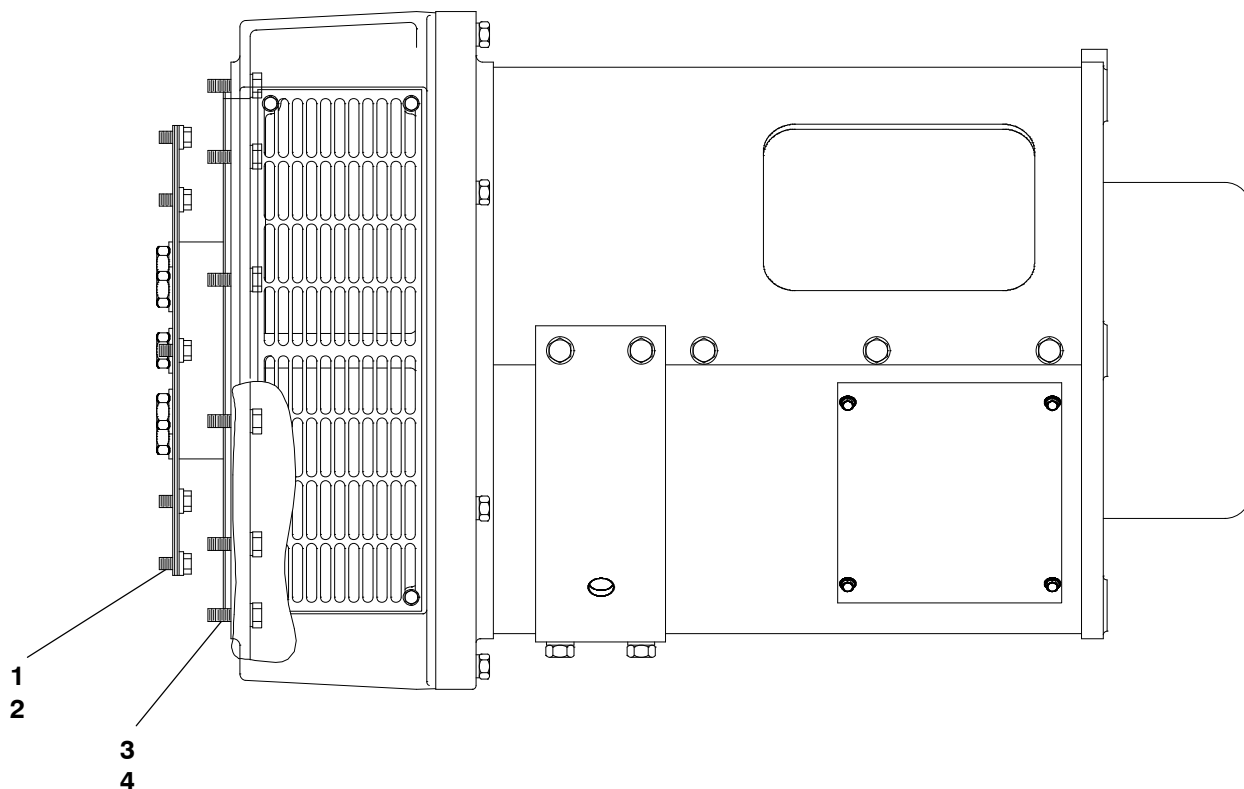
Item	Part No.	Description	Qty
1	45-0075A	Complete P.M.G. Upfit Kit	1
2		Cover	
	450-14360	P.M.G. Cover (Cover included in Item 1)	1
	450-14450	Non P.M.G Cover	1
3	45-1080	Current P.M.G. Rotor/Stator Repair Kit	1
4	45-1080	Current P.M.G. Rotor/Stator Repair Kit	1
5		Main Stator Bottom Cover	
	330-10386	C-D	1
	330-10387	E-F	1
	330-10388	G	1
	330-10389	H	1
6		Main Stator Top Cover	
	330-10381	C-D	1
	330-10382	E-F	1
	330-10383	G	1
	330-10384	H	1
7	330-1002	N.D.E. Bracket	1
8	45-0868	N.D.E. Bearing Kit	1
9		Exciter Stator	
	230-1209	C-D (40mm)	1
	330-1088	E-H (60mm)	1
10	*	Main Stator Bar Assy	1
11	330-10137	Foot	1
12	*	Main Rotor Assy	1
13		Exciter Rotor	
	210-1037	C-D (40mm)	1
	310-1028	E-H (60mm)	1
14	45-0428	Rotating Rectifier Assy	1
15	RSK-2001	Diode Fwd/Rev & Varistor Kit	1
16	450-15617	Main Terminal Board	1
17		Terminal Box Endpanel N.D.E.	
	330-10602	Access	1
	330-10622	Plain	1
18	330-10601	Terminal Box Endpanel D.E.	1
19	330-10604	Terminal Box Side Panel	1
20	330-10609	Terminal Box Side Panel	1
	330-10617	Terminal Box Side Panel (Access)	1
21	330-10069	Terminal Box Lid	1
22		A.V.R. Cover Plate	
	450-14310	To (28/11/04)	1
	410-10536	From (28/11/04)	1
		Continued...	

Generator – UC274 – 1 Bearing, 4 Pole

Item	Part No.	Description	Qty
		Continued...	
23	45-0742	A.V.R. Mounting Bracket	1
24		A.V.R.	
	E000-23412/1P	MX341 (Series 3)	1
	E000-23212/1P	MX321 (Series 3)	1
	E000-24403/1P	AS440 (Series 4)	1
	E000-24602/1P	SX460 (Series 6)	1
25	003-14027	Auxiliary Terminal Board	1
26		Heater	
	45-0118	110-125 Volt	1
	45-0117	220-260 Volt	1
27	45-0024	Terminal Box For Heaters	1
28	330-10001	D.E. Adaptor Ring	1
29	330-10076	D.E. Bracket	1
30	330-10049	D.E. Screen	1
31	45-0634	D.E. Louvre	1
32	45-0367	D.E. Bearing Kit	1
33		Adapter Kit	
	45-0522	SAE 1	1
	45-0523	SAE 2	1
	45-0524	SAE 3	1
	45-0863	DIN 1	1
	45-0912	DIN 2	1
34		Adapter Cover (Included in Adapter Kit)	1
35	330-10020	Air Inlet Cover	1
		* This part number depends on your machine serial number. Contact your regional CPG technical support team.	

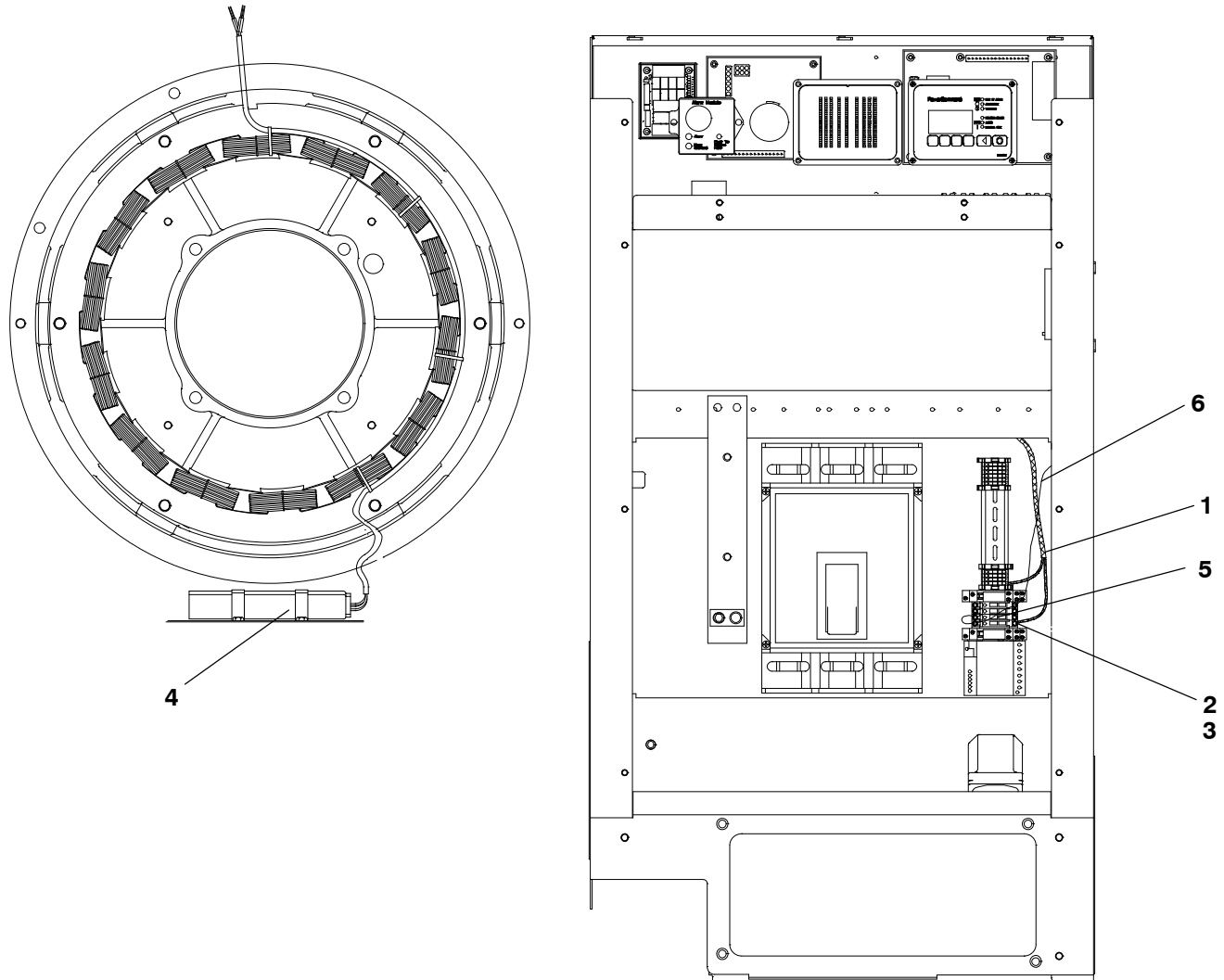
This page is Intentionally blank.

Generator Fasteners



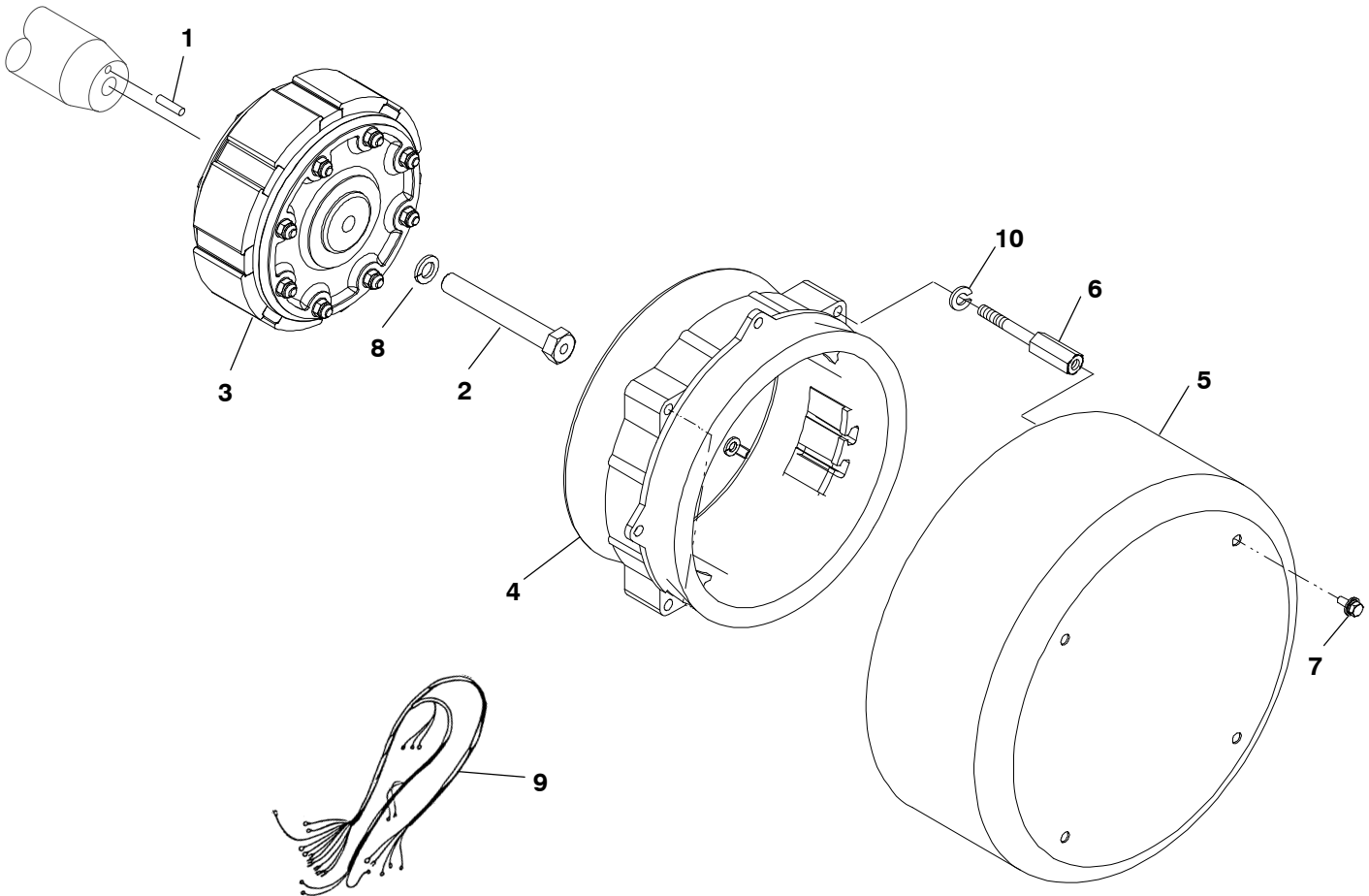
Item	Part No.	Description	Qty
1	0805-0015	Bolt, Place	8
2	0526-0026	Washer, Flat	8
3	0800-3017-39	Screw, Hex Head	12
4	0526-2122	Washer, Flat	12

Alternator Heater



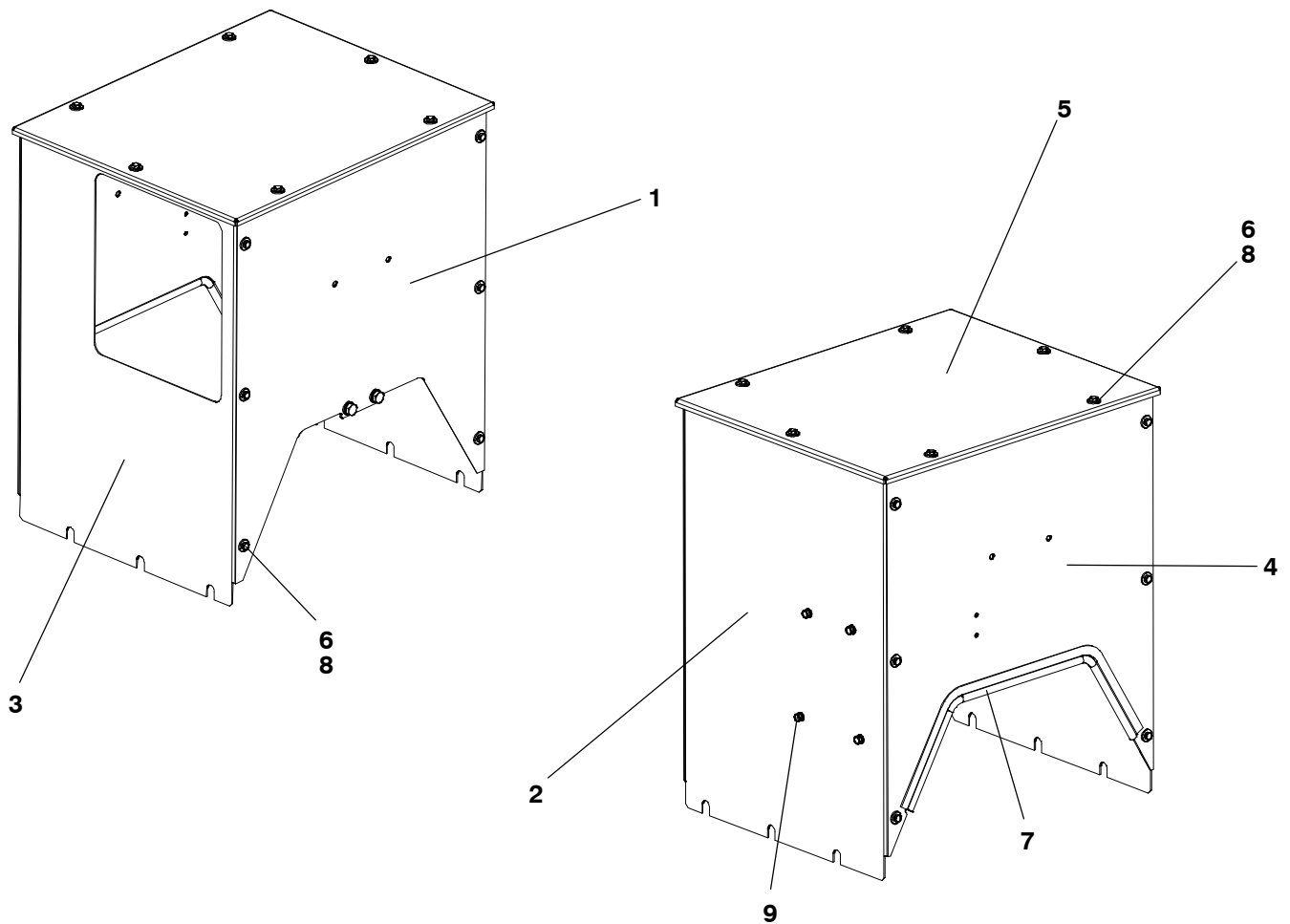
Item	Part No.	Description	Qty
1	0338-4905	Harness, Alternating Current	1
2	0332-3944	Block, Terminal	1
3	0321-0394-02	Fuse	1
4	0133-0228	Heater, Air	1
5	0332-4020	Jumper, Terminal	1
6	A035B886	Harness, Switch5071	1

PMG



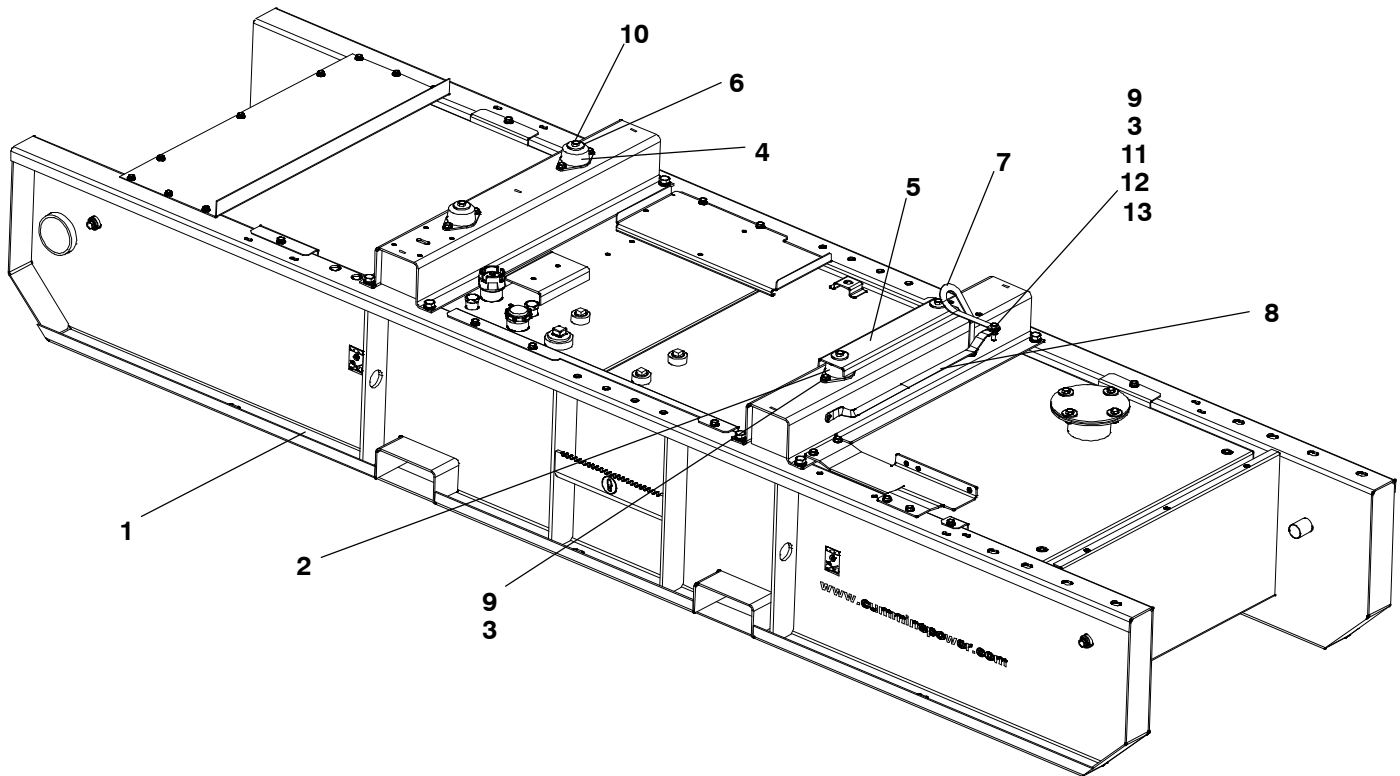
Item	Part No.	Description	Qty
1	0775-0049	Pin, Parallel	1
2	0815-0761-01	Bolt, Mounting – PMG	1
3	A029M562	Rotor, PMG	1
4	A029M560	Stator, PMG	1
5	0234-0875-02-G	Cover, End Bell	1
6	0232-3462-02	Spacer, Cover	4
7	0821-6001-02	Screw, Hex Head (M5 x 10)	4
8	0850-2010	Washer, Lock (M10)	1
9	0338-3265	Harness, Wiring	1
10	0850-2006	Washer, Lock (M6)	4

Terminal Box



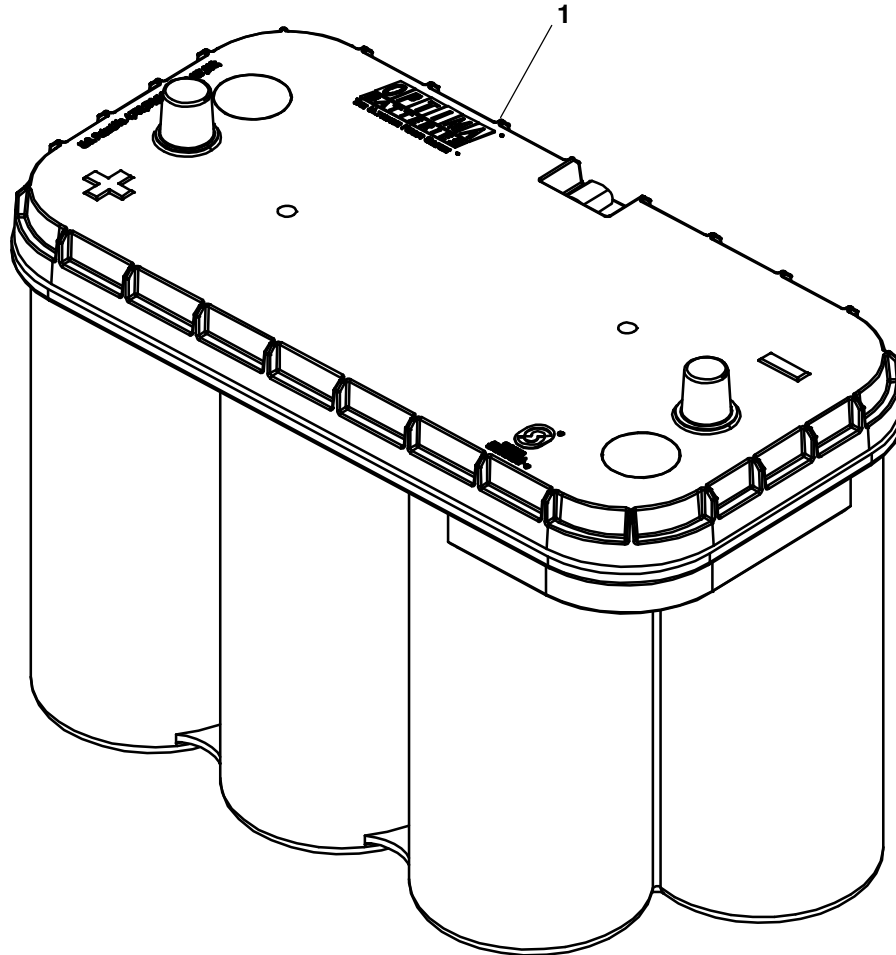
Item	Part No.	Description	Qty
1	0319-6498-02	Panel, Terminal Front	1
2	0319-7389-02	Panel, Terminal	1
3	0319-6500-02	Panel, Terminal Left	1
4	0319-6499-02	Panel, Terminal Rear	1
5	0319-6502-02	Panel, Terminal Top	1
6	0821-6002-02	Screw, Hex Head	18
7	0508-1286	Edging	-
8	0856-0023	Washer, Lock	18
9	0821-6002-03	Screw, Hex Head	4

Skid



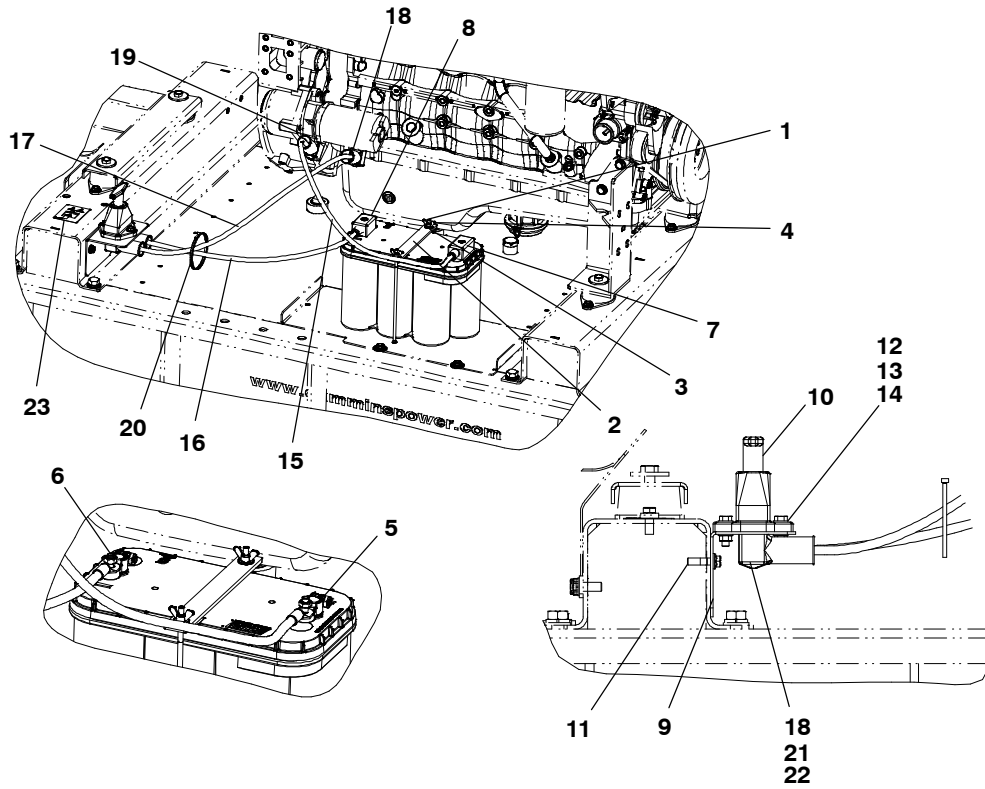
Item	Part No.	Description	Qty
1	A035M489	Chassis	1
2	0402-0912-02	Isolator, Vibration	2
3	0526-0399-62	Washer, Flat	9
4	0402-0969-01	Isolator, Vibration	2
5	0403-6561-02	Bracket	1
6	0526-2306	Washer, Flat	4
7	0337-3741-01	Strap, Electrical	1
8	0337-3741-06	Strap, Electrical	1
9	0800-3017-40	Screw, Hex Head	9
10	0800-3017-56	Screw, Hex Head	4
11	0856-0012	Washer, Lock	2
12	0862-0026-56	Nut, Hex	1
13	0800-3017-42	Screw, Hex head	1

Battery



Item	Part No.	Description	Qty
1	A043C677	Battery	1

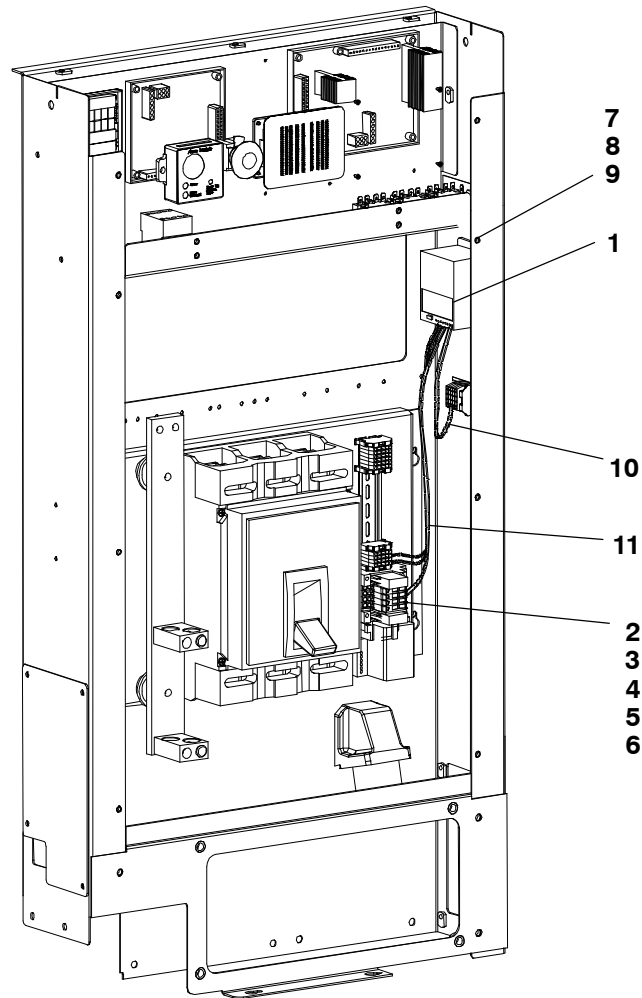
Battery Tray



Battery Tray

Item	Part No.	Description	Qty
1	A043F590	Rod, Battery Hold Down	2
2	A043F600	Holder, Battery	1
3	0526-0399-59	Washer, Flat	2
4	0856-0030	Nut, Wing	2
5	0416-1203	Clamp, Battery	1
6	0416-1204	Clamp, Battery	1
7	0416-1019	Boot, Battery – Red	1
8	0416-1020	Boot, Battery – Black	1
9	0416-1317-02	Bracket, Battery	1
10	0416-1314	Battery (Isolator)	1
11	0800-6373-04	Screw, Hex Flange Head	2
12	0526-0399-60	Washer, Flat	4
13	0800-3017-21	Screw, Hex Head	2
14	0862-0026-55	Nut, Hex	2
15	0416-1356-01	Cable, Electrical	1
16	A043F455	Cable, Electrical	1
17	0416-1356-03	Cable, Electrical	1
18	0323-2083	Boot, Insulation	3
19	A029Y198	Boot, Terminal	1
20	0332-3974	Tie, Cable	1
21	0526-0399-63	Washer, Flat	2
22	0862-0026-56	Nut, Hex	2
23	A048F940	Label, Instruction	1

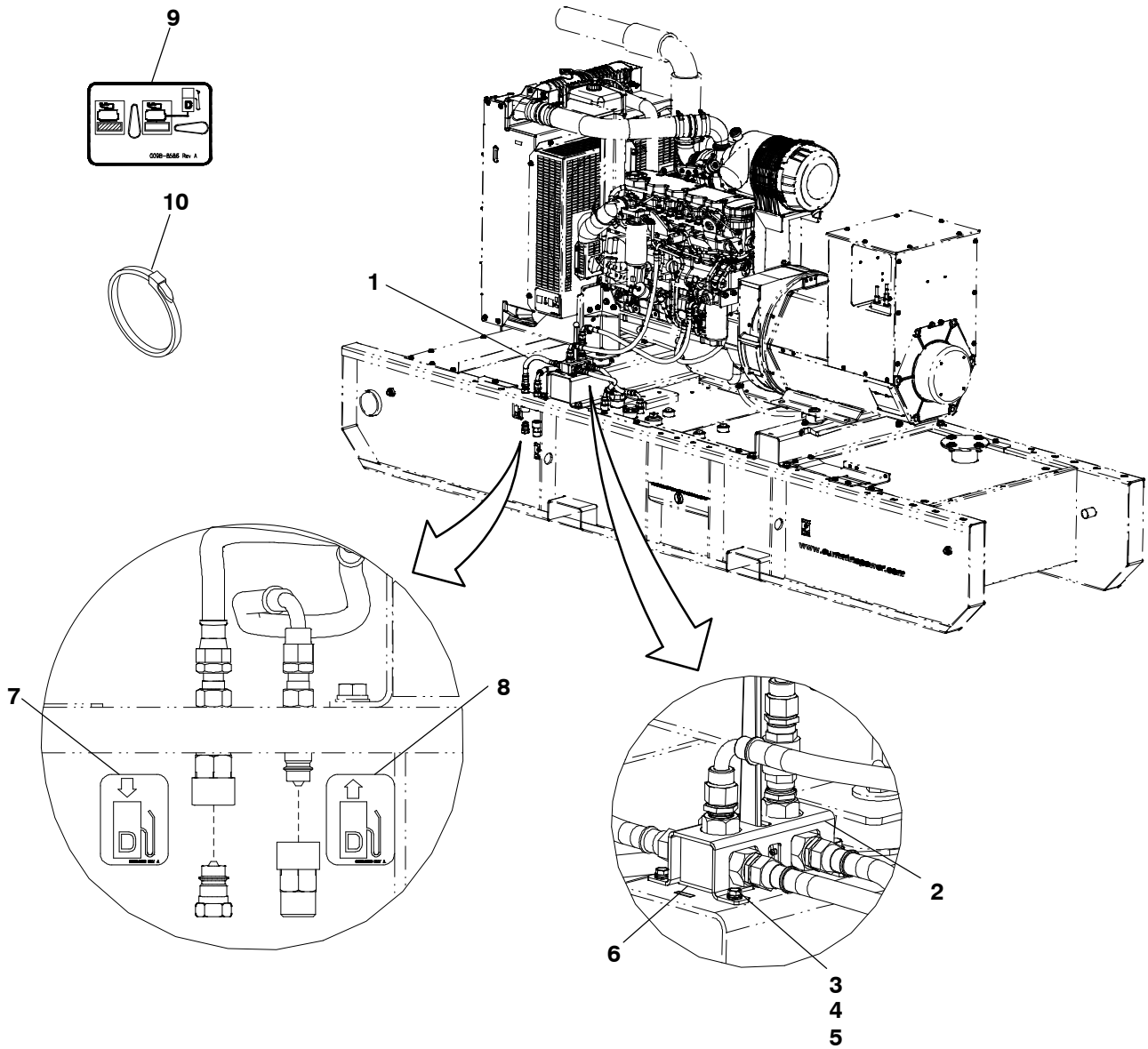
Battery Charger



Item	Part No.	Description	Qty
1	0416-1300	Charger, Battery	1
2	0332-3944	Block, Terminal - Fuse	1
3	0332-3926	Stop, End	1
4	0332-3945	Plate, Fuse Holder End	1
5	0332-4020	Jumper, Adjacent	1
6	0321-0394-01	Fuse (1 Amp)	1
7	0800-0309-76	Screw, Machine - Hex Head (M4 x 16)	2
8	0526-0399-54	Washer, Flat (M4)	2
9	0850-0114-51	Washer, Lock - Spring (M4)	2
10	0338-4587	Harness, Wiring - Battery Charger	1
11	0338-4883	Harness, Wiring - Battery Charger	1

This page is Intentionally blank.

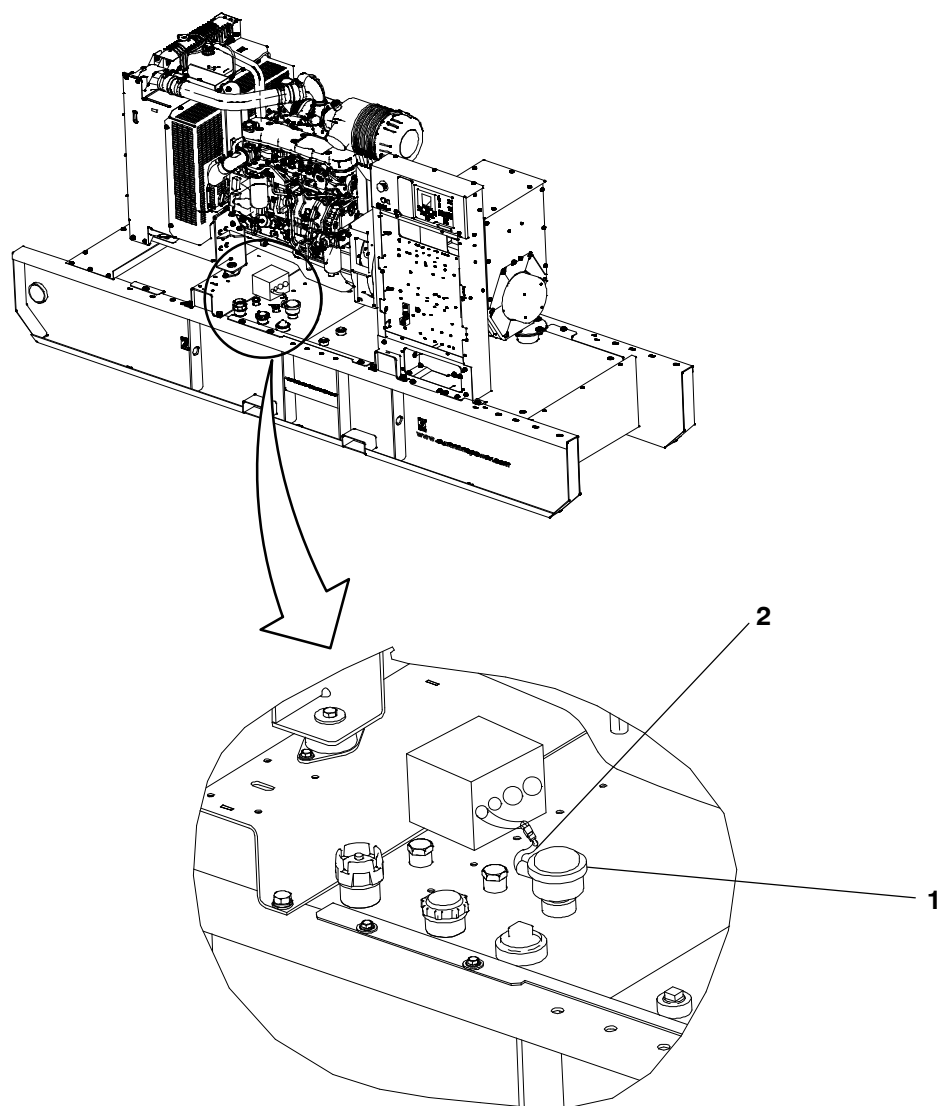
Fuel System



Fuel System

Item	Part No.	Description	Qty
1	A043K196	Kit, Fuel System	1
2	0148-1324-02	Bracket, Fuel System	1
3	0800-3017-06	Screw, Hex Head	4
4	0850-0114-53	Washer, Lock	4
5	0526-0399-58	Washer, Flat	4
6	0403-4937	Pad, Mounting	0.1M
7	0098-8612	Label	1
8	0098-8613	Label	1
9	0098-8586	Label, Instruction	1
10	0332-1389	Tie, Cable	2

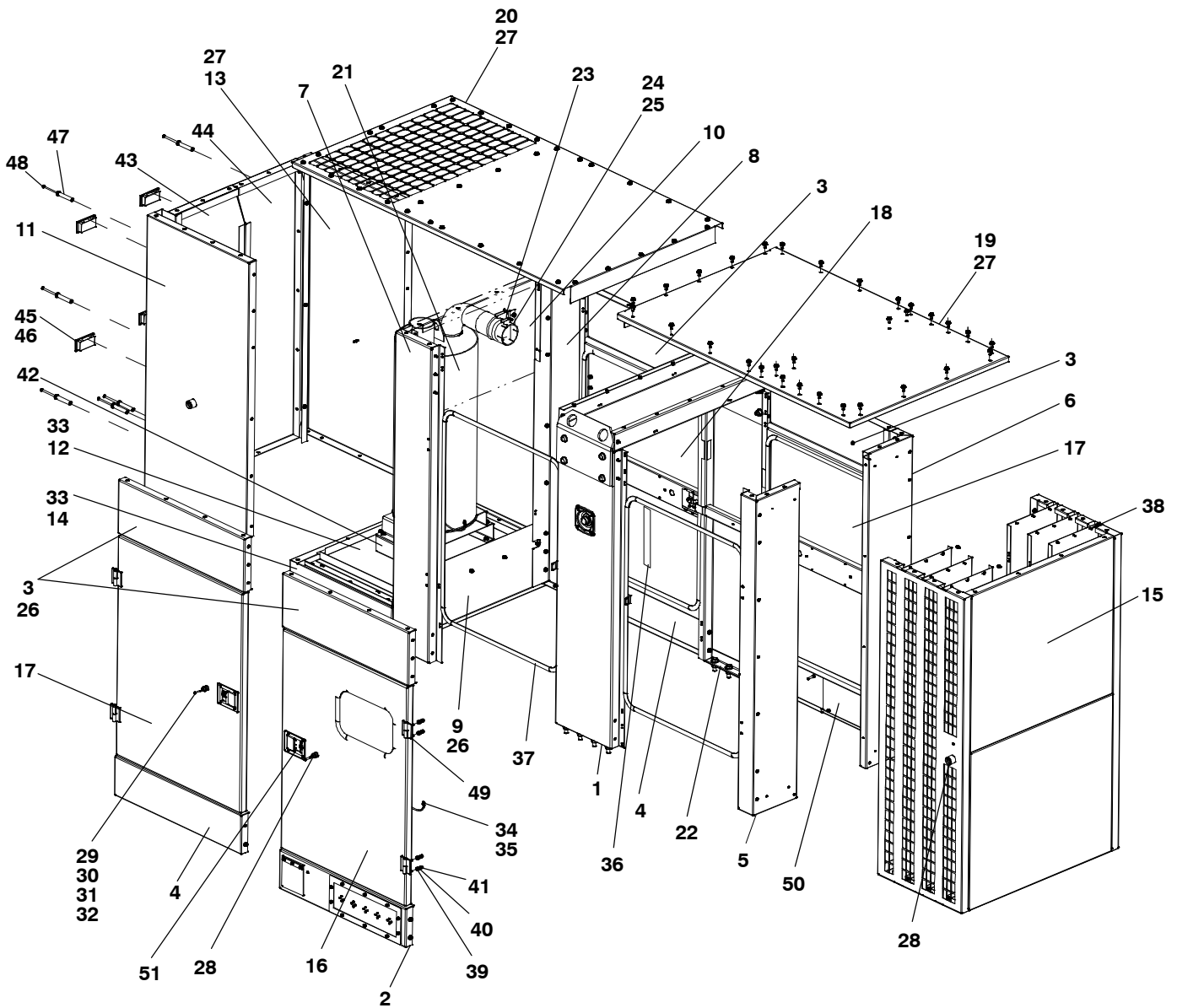
Fuel Level Switch



Item	Part No.	Description	Qty
1	0309-0734-02	Switch, Level	1
2	0338-5226	Harness, Wiring	1

This page is Intentionally blank.

Enclosure



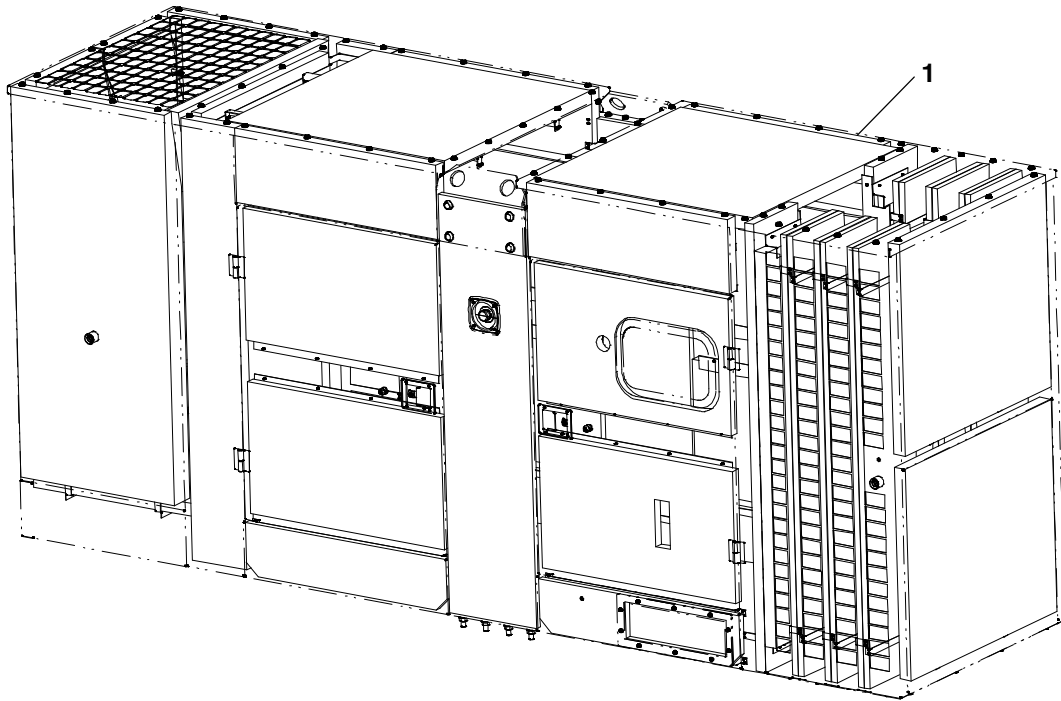
Enclosure

Item	Part No.	Description	Qty
1	A041D472	Frame, Lifting	1
2	A041L240	Panel, Enclosure	1
3	A041E050	Panel, Enclosure	4
4	A041D460	Panel, Enclosure	2
5	A041E269	Panel, Enclosure	1
6	A041E272	Panel, Enclosure	1
7	A041E056	Panel, Enclosure	1
8	A041D462	Panel, Enclosure	1
9	A041D474	Retainer, Seal	1
10	A041D476	Retainer, Seal	1
11	A041D464	Panel, Enclosure	1
12	A043G812	Panel, Enclosure	1
13	A041E080	Panel, Enclosure	1
14	A041D480	Cover, Enclosure	1
15	A043G831	Panel, Enclosure	1
16	A041D468	Door, Enclosure	1
17	A041G560	Door, Enclosure	2
18	A041G564	Door, Enclosure	1
19	A043G823	Panel, Roof	1
20	A043G817	Panel, Roof	1
21	0155-5010-02	Muffler, Exhaust – Residential	1
22	0404-0800-03	Spacer, Panel	2
23	0155-4656-02	Bracket	1
24	0155-2305	Clamp	1
25	0155-3289	Clamp	1
26	0821-6003-01	Screw, Hex Head	91
27	0821-6007-02	Screw, Hex Head	70
28	0406-1077	Stop, Door	4
29	0800-3017-06	Screw, Hex Head	8
30	0526-0399-58	Washer, Flat	8
31	0850-0114-53	Washer, Lock	4
32	0862-0026-54	Nut, Hex	8
33	0821-6003-02	Screw, Hex Head	8
34	0337-3582-08	Strap, Electrical	4
35	0821-6002-04	Screw, Hex Head	4
36	A030H276	Mat, Slip Resistant	8
37	0405-9996	Seal, Enclosure	4
38	0821-6002-02	Screw, Hex Head	18
39	0526-0399-60	Washer, Flat	16
40	0850-0114-54	Washer, Lock	16
41	0862-0026-55	Nut, Hex	16
42	A043A298	Bracket, Mounting	1
43	A043B199	Panel, Enclosure	1
44	A043A933	Panel, Enclosure	1
45	A041J980	Gasket, Door	4
46	A035C905	Handle, Door	4
47	A043B280	Spacer	8
48	0800-2074	Screw, Hex Head	8
49	A042P695	Washer	8

Enclosure – Continued

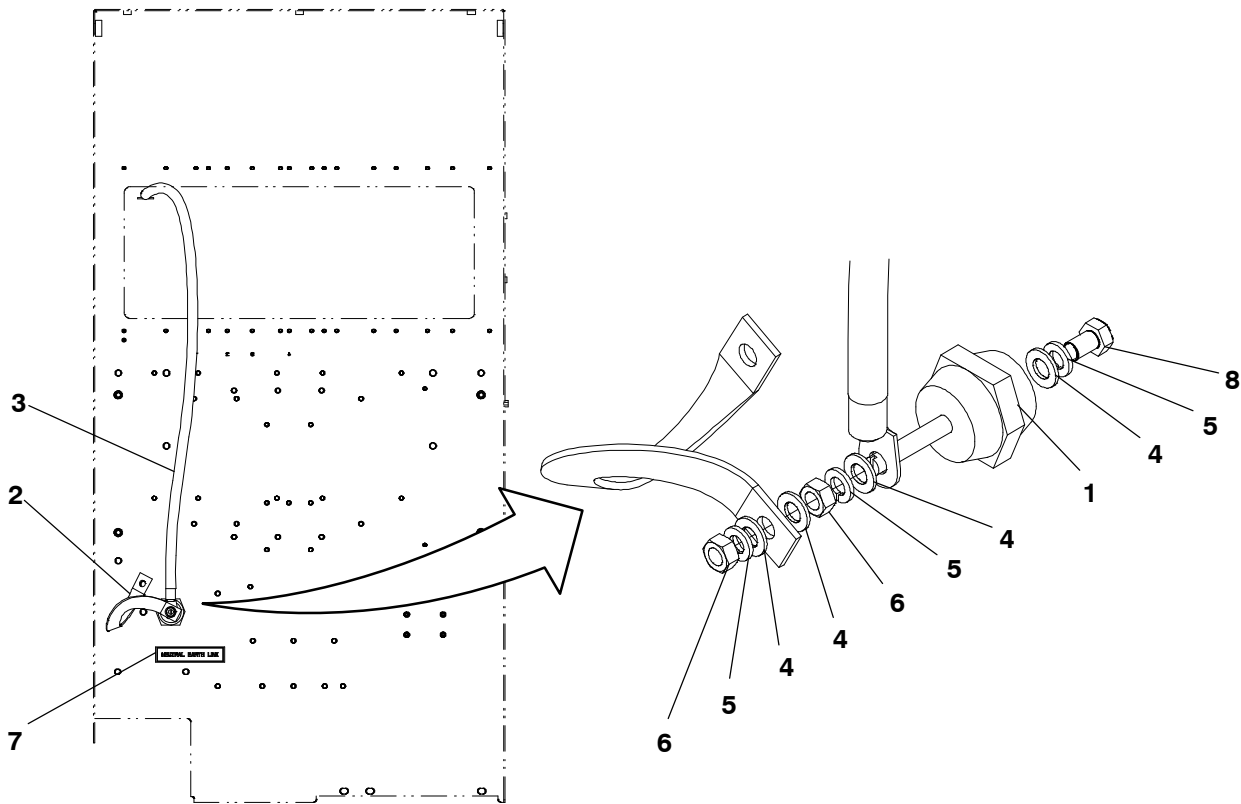
Item	Part No.	Description	Qty
50	A041K188	Kit, Panel	1
51	0406-1059	Latch, Door	1

Sound Insulation Kit



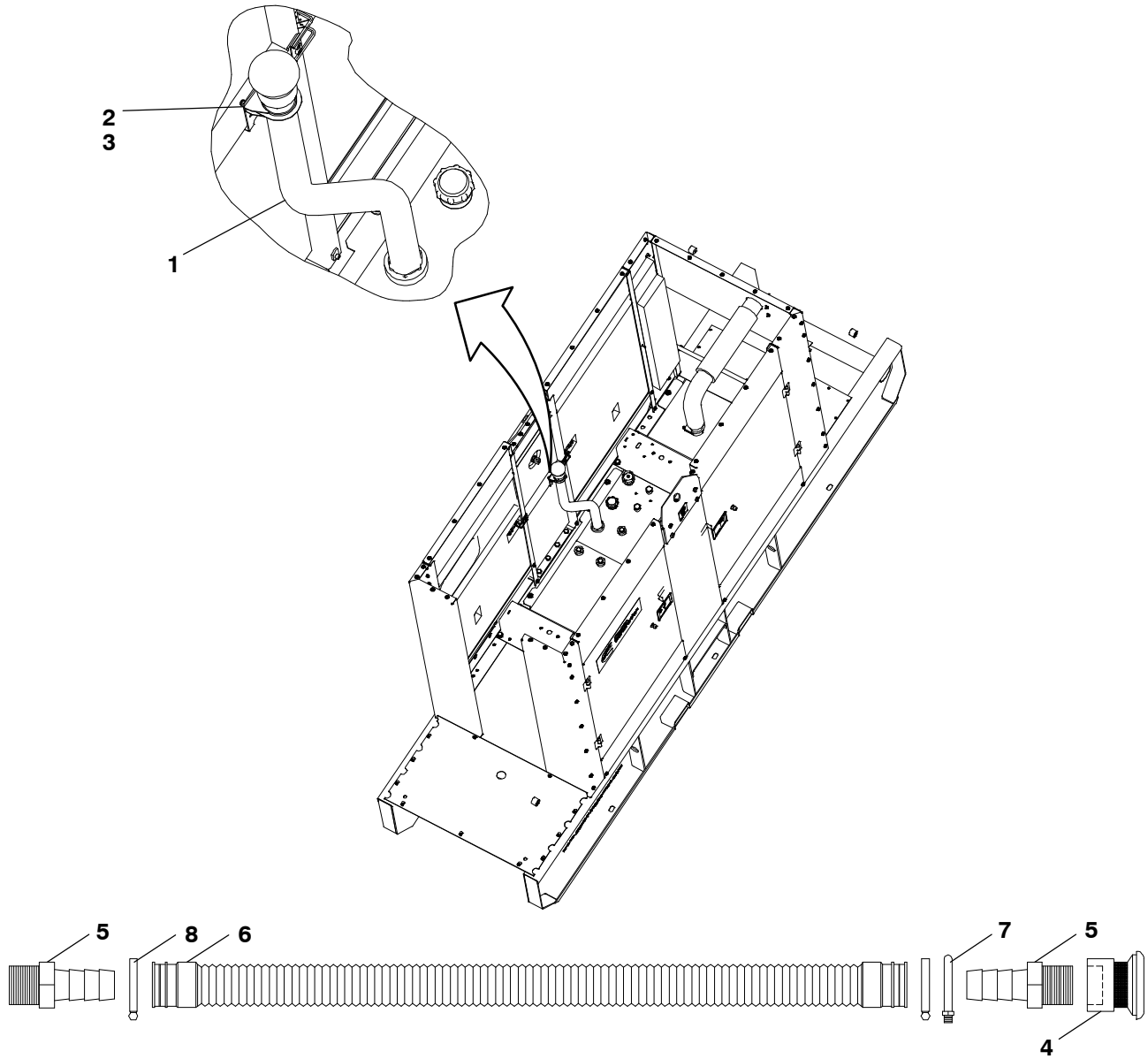
Item	Part No.	Description	Qty
1	A043G804	Kit, Insulation	1

Neutral Earth Link



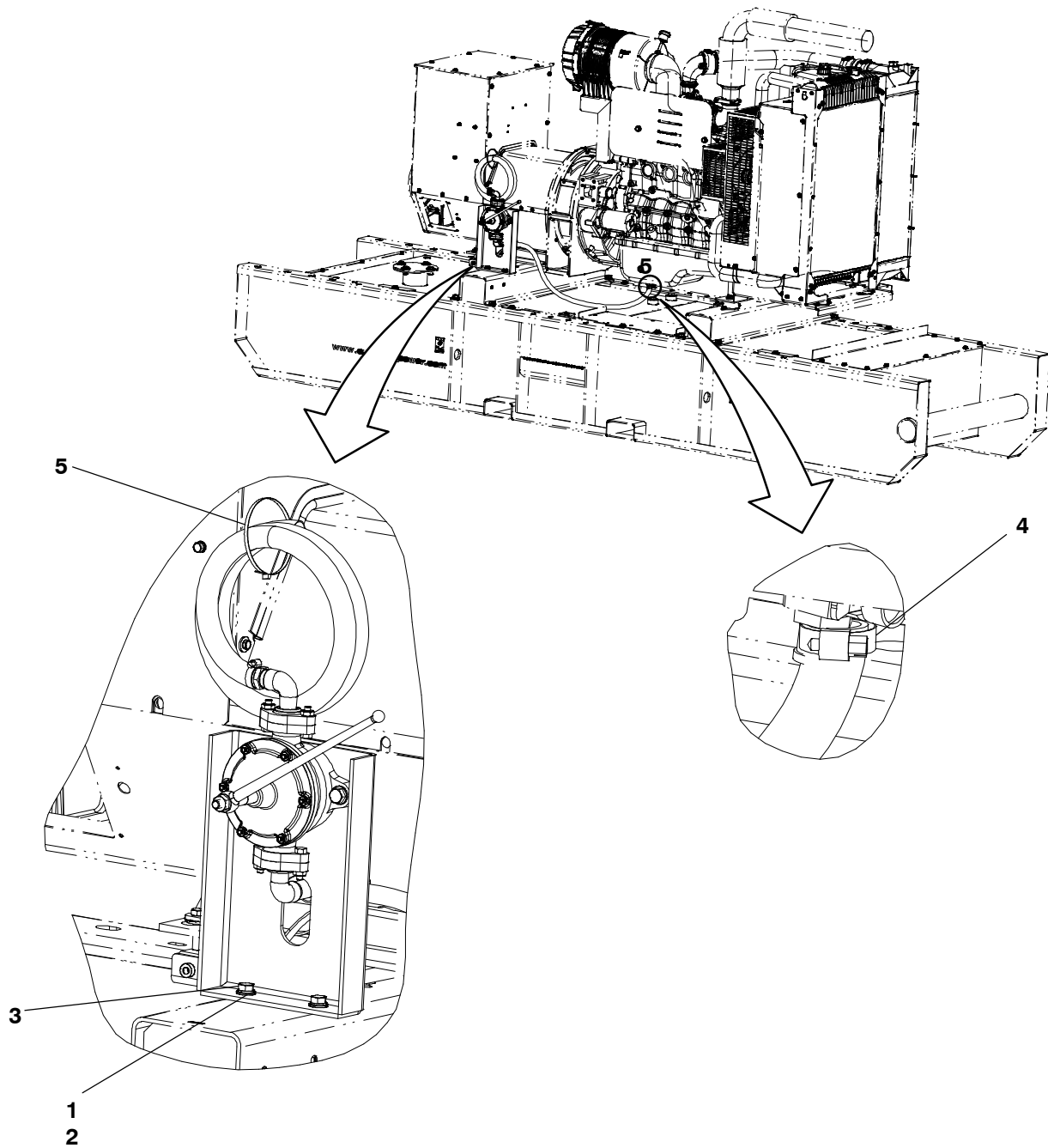
Item	Part No.	Description	Qty
1	A041G910	Standoff, Insulator	1
2	0337-3585-01	Lead, Earth	1
3	A040T485	Lead	1
4	0526-0399-60	Washer, Flat	4
5	0850-0114-54	Washer, Lock	3
6	0862-0026-55	Nut, Hex	2
7	A040U994	Label, Identification	1
8	0800-2052	Screw, Hex Head	1

Breather



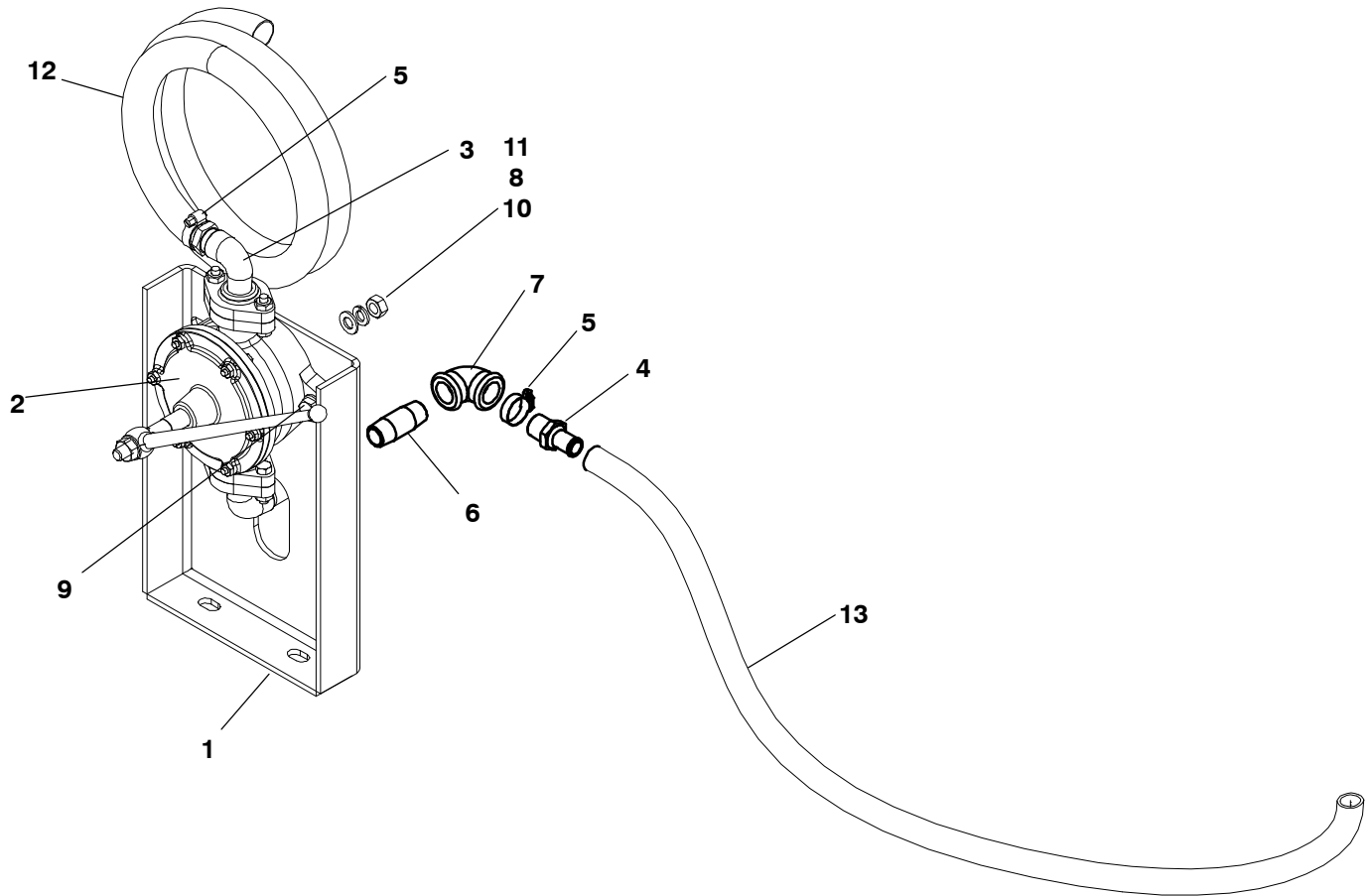
Item	Part No.	Description	Qty
1	0179-4503	Fuel System (Vent)	1
2	0319-6255-02	Plate, Mounting	1
3	0821-6002-02	Screw (M6 x 12)	2
4	0159-1633	* Vent, Fuel Tank (2")	1
5	0502-1546	* Connector, Hose (2" x 2")	2
6	0503-2655	* Hose, Vent (2")	1
7	0518-0742	* Clamp, U	1
8	0503-2373	* Clamp, Hose	2
		* Parts Included in 0179-4503 Fuel System (Vent)	

Oil System Mounting



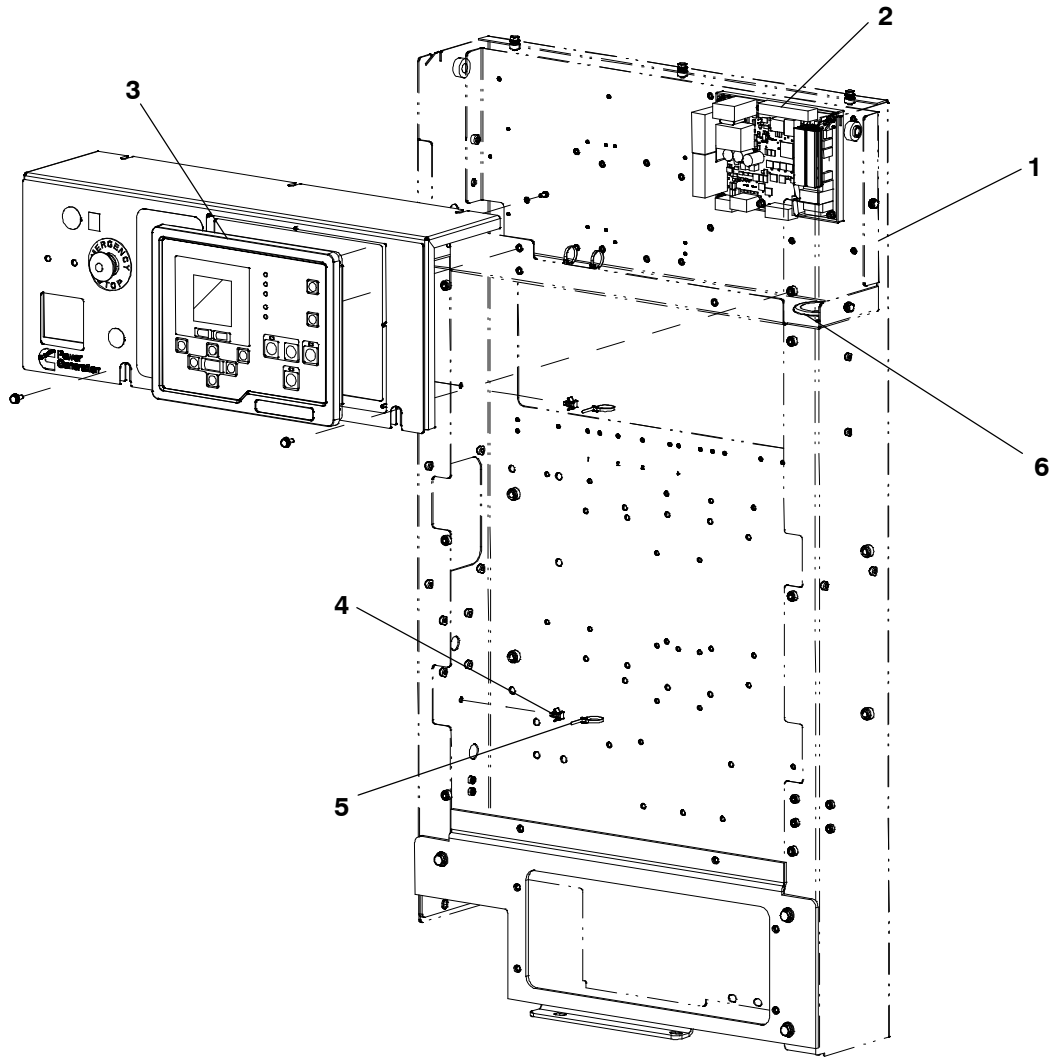
Item	Part No.	Description	Qty
1	0526-0399-62	Washer, Flat (M10)	2
2	0850-0114-55	Washer, Lock - Spring (M10)	2
3	0800-3017-37	Screw, Hex Head (M10 x 25)	2
4	0503-2550	Clamp, Hose	1
5	0332-1389	Tie, Cable	1

Oil System



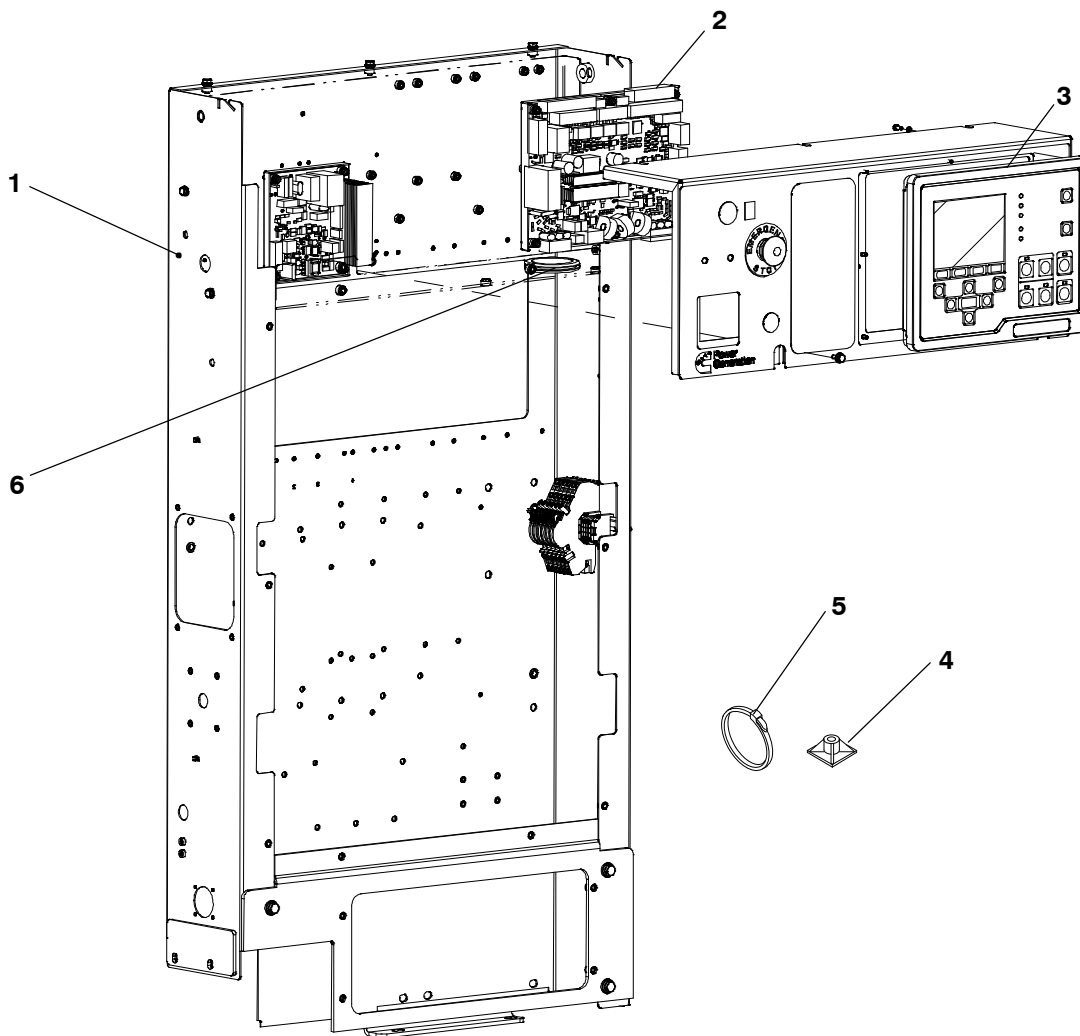
Item	Part No.	Description	Qty
1	0120-1345-02	Bracket, Oil Pump	1
2	A043D736	Pump, Fuel	1
3	0502-1369	Elbow, Male Female	2
4	0502-1490	Connector, Hose	2
5	0503-2550	Clamp, Hose	2
6	0505-2098	Fitting, Pipe Nipple	1
7	0505-2141	Fitting, Pipe Elbow	1
8	0526-0399-62	Washer, Flat	4
9	0800-3017-40	Screw, Hex Head	2
10	0850-0114-55	Washer, Lock	2
11	0862-0026-56	Nut, Hex	2
12	0503-2208-02	Hose	2.3M
13	A043M969	Hose	1

Control
PC1.2 (C150 D2R)



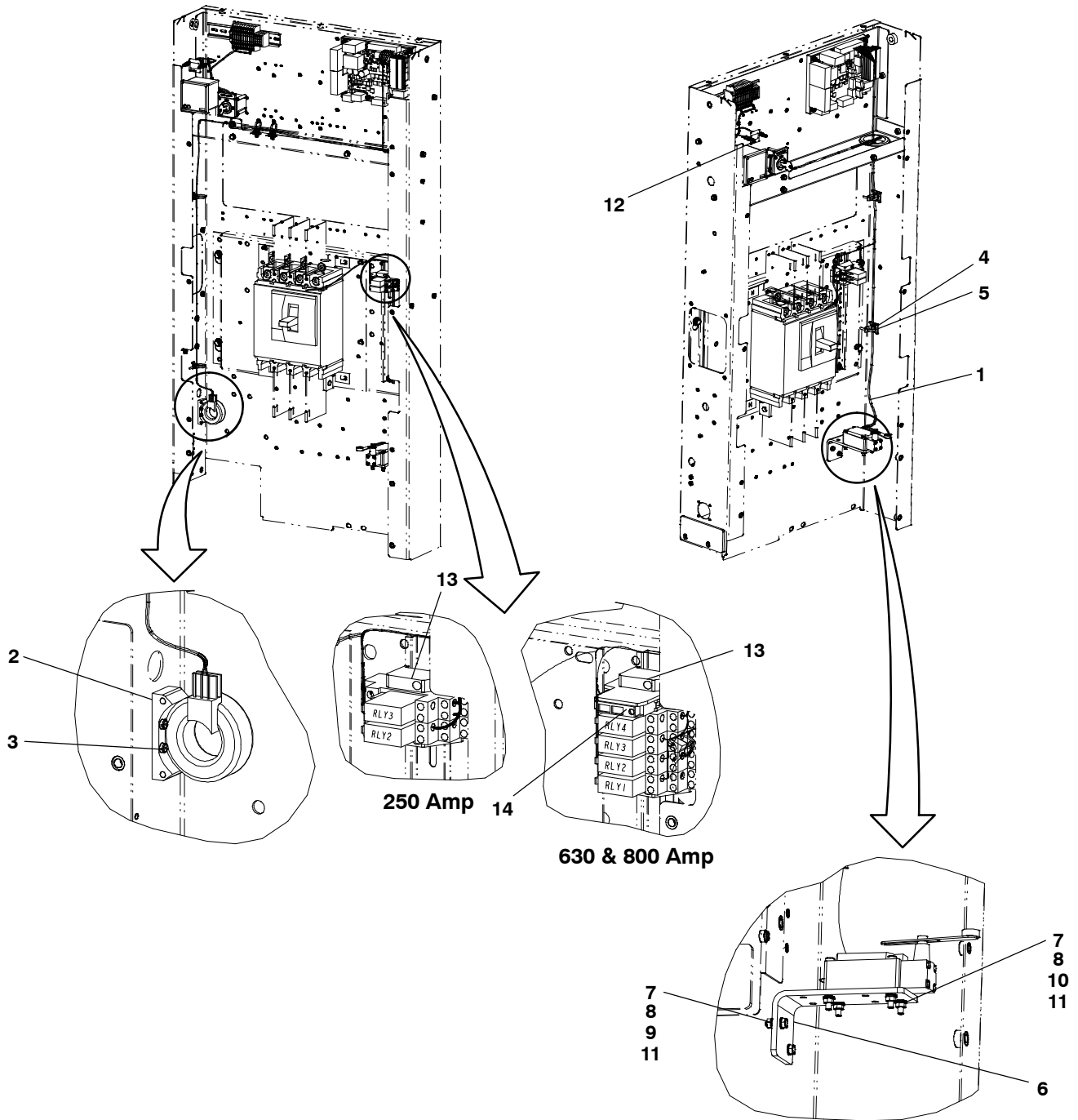
Item	Part No.	Description	Qty
1	A040T624	Control	1
2	0300-6611-01	Control	1
3	A041A303	Display, Control	1
4	0332-4106	Mount, Cable Tie	2
5	0332-1794	Tie, Cable	2
6	0508-1119	Grommet	1

Control – PC3.3 (C200 D2R)



Item	Part No.	Description	Qty
1	A040T624	Control	1
2		Control	
	0327-1601-01	Card, Control	1
	A041W736	Card, Control (MLD)	1
3	A041A305	Display, Control	1
4	0332-4106	Mount, Cable Tie	2
5	0332-1794	Tie, Cable	2
6	0508-1119	Grommet	1

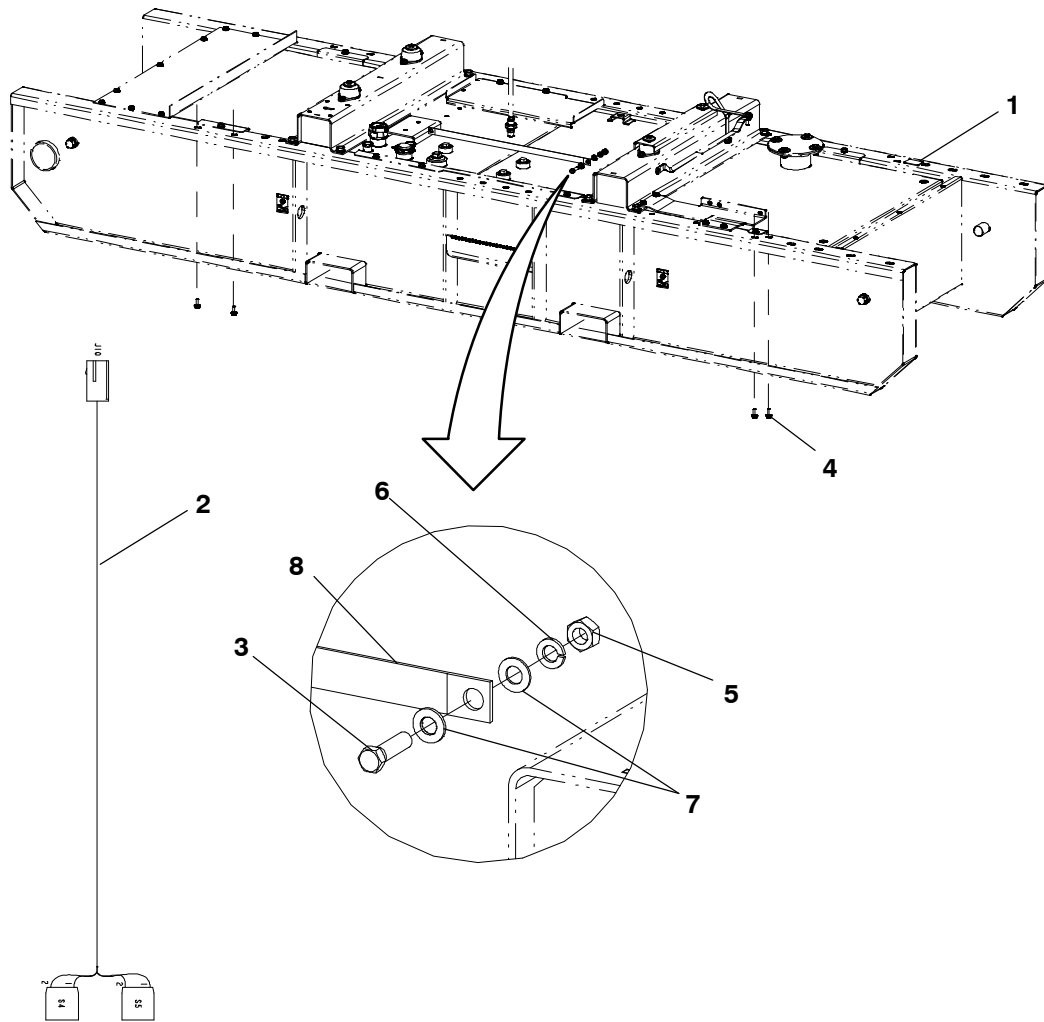
Accessory Harness



Accessory Harness

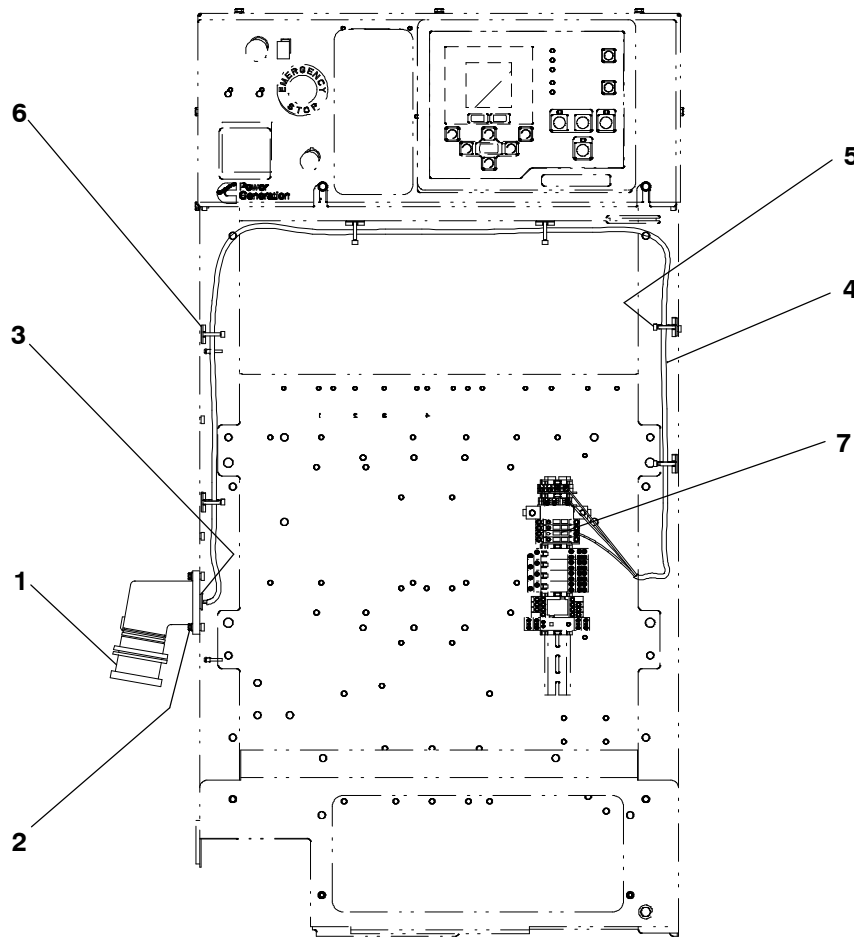
Item	Part No.	Description	Qty
1		Harness, Accessory	
	A043C428	PC1.2	1
	A043C404	PC3.3	1
2	0315-1607-03	Transformer, Current	1
3	0815-1540-18	Screw, Fillister Head Slotted	2
4	0332-2420	Tie, Cable	2
5	0332-1389	Tie, Cable	2
6	A040U173	Bracket, Control	1
7	0526-0399-56	Washer, Flat	8
8	0850-0114-52	Washer, Lock	6
9	0800-0309-89	Screw, Hex Head	2
10	0815-1540-40	Screw, Fillister Head Slotted	4
11	0862-0026-53	Nut, Hex	6
12	A041B710	Label, Danger	1
13	0332-2878	Bracket, Terminal	2
14		Fuse	
	0321-9394-03	250 Amp Motorized CB	1
	0321-9394-02	630 and 800 Amp Motorized CB	1

Ground Strap



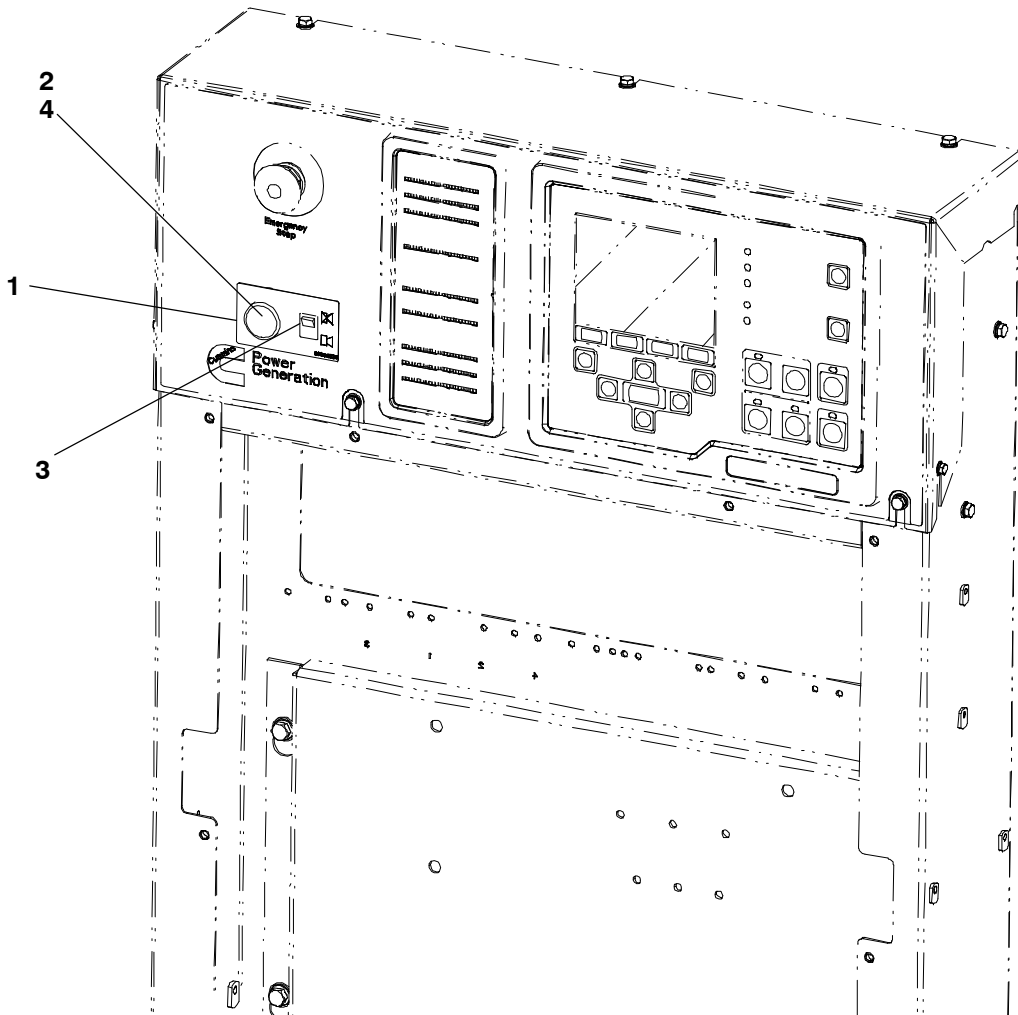
Item	Part No.	Description	Qty
1	0403-4937	Pad, Mounting	10M
2	A041Y364	Harness, Accessory	1
3	0800-3017-39	Screw, Hex Head	1
4	0821-6003-03	Screw, Hex Head	8
5	0862-0026-56	Nut, Hex	1
6	0850-0114-55	Washer, Lock	1
7	0526-0399-62	Washer, Flat	2
8	0337-3741-02	Strap, Electrical	1
	A030K879	Insulation, Exhaust (Not Shown)	1

Quick Connector Plug – Accessory



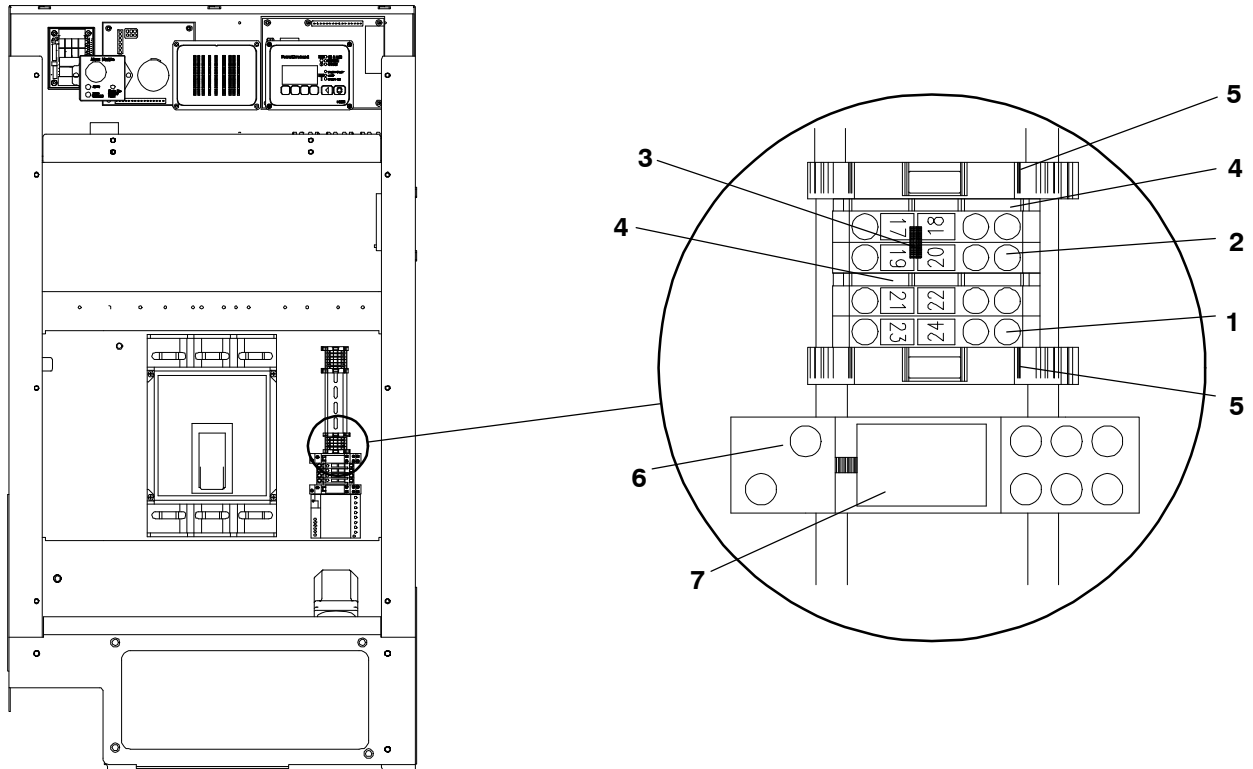
Item	Part No.	Description	Qty
1	0323-2601	Connector, Plug	1
2	0821-6001-03	Screw, Hex Head	4
3	0508-1201	Grommet	1
4	A040T933	Harness, Power	1
5	0332-1389	Tie, Cable	6
6	0332-2420	Tie, Cable	6
7	0332-4020	Jumper, Terminal	2

Alarm Module



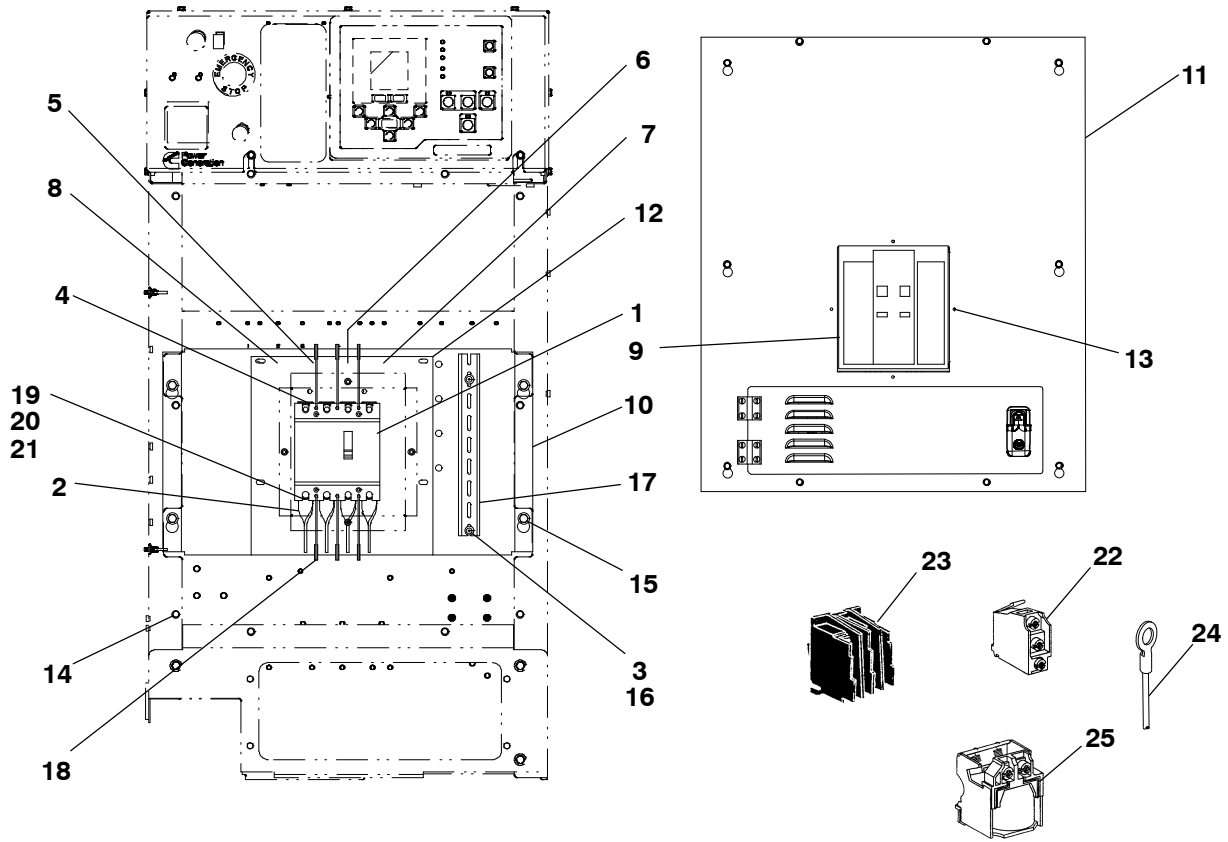
Item	Part No.	Description	Qty
1	0098-8939	Label, Information	1
2	0300-5937	Module, Alarm	1
3	0308-1191	Switch	1
4	0338-5192	Harness, Alarm	1

Terminal Block



Item	Part No.	Description	Qty
1	0332-4036-02	Conduit, Flexible	2
2	0332-3923-02	Block, Terminal	2
3	0332-3925-01	Jumper, Terminal	1
4	0332-3927-02	Plate, Terminal Block End	2
5	0332-3926	Stop, Terminal Block End	2
6	0249-0814	Relay - 2P Base (With Alternator Heater)	1
7	0307-3046	Relay - 12V (With Alternator Heater)	1

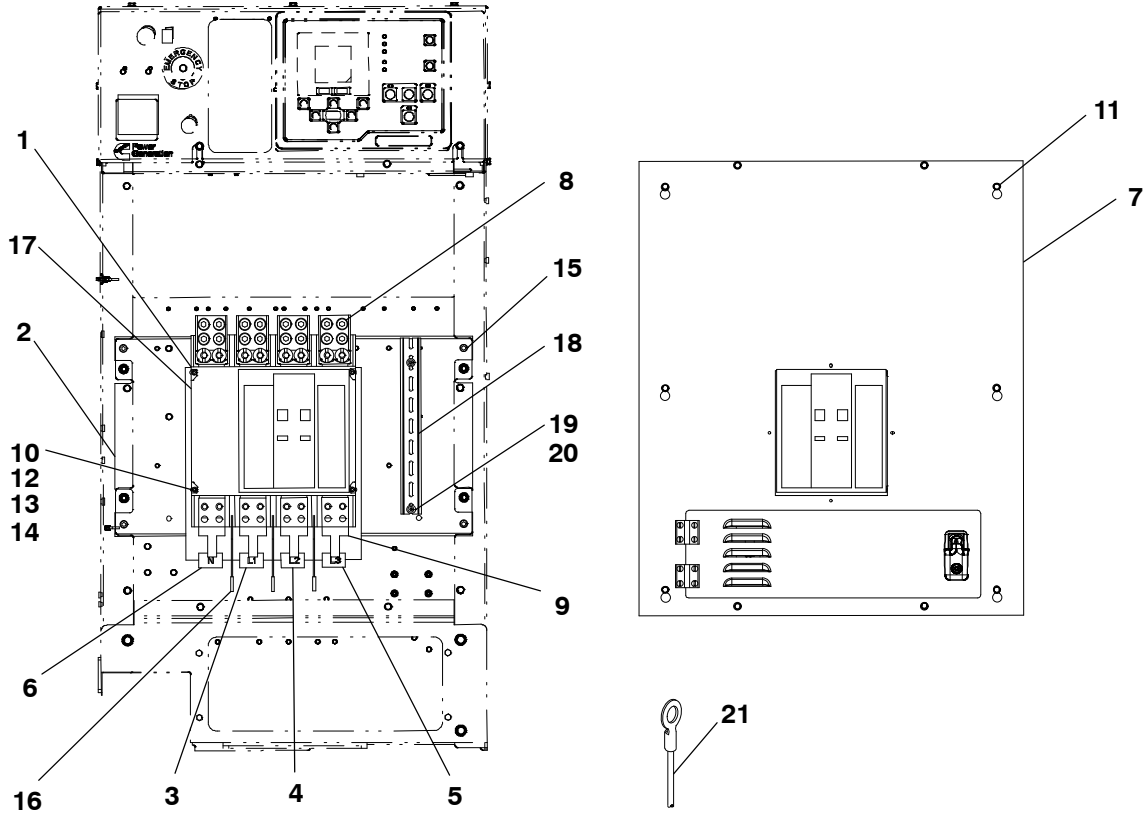
Circuit Breaker (250A)



Circuit Breaker (250A)

Item	Part No.	Description	Qty
1	A034G317	Breaker, Circuit (250A – 4 Pole)	1
2	A041K363	Busbar, Phase	4
3	0818-0231-03	Rivet, Pop	2
4	0320-2156-04	Connector, Cable	1
5	0098-8213-01	Label	2
6	0098-8213-02	Label	2
7	0098-8213-03	Label	2
8	0098-8213-04	Label, Information	2
9	A034M737	Cup, Switch	1
10	0319-6486-02	Bracket	1
11	A040T758	Cover, Circuit Breaker	1
12	A041C825	Sheet, Insulation	1
13	0821-6001-01	Screw, Hex Head	4
14	0821-6002-03	Screw, Hex Head	14
15	0821-6003-01	Screw, Hex Head	4
16	0526-0399-57	Washer, Flat	2
17	0332-4001-01	Rail, Terminal	1
18	0320-2156-09	Barrier, Phase	1
19	0526-0399-60	Washer, Flat	4
20	0850-0114-54	Washer, Lock	4
21	0800-3017-20	Screw, Hex Head	4
22	0320-1981-01	Switch – Used as Trip Alarm or Auxiliary Contact	1
23	0320-2246	Switch – Used as Trip Alarm or Auxiliary Contact	1
24	0226-3505-16	Lead (3/0)	4
25	0320-1981-02	Shunt Trip – 12V	1

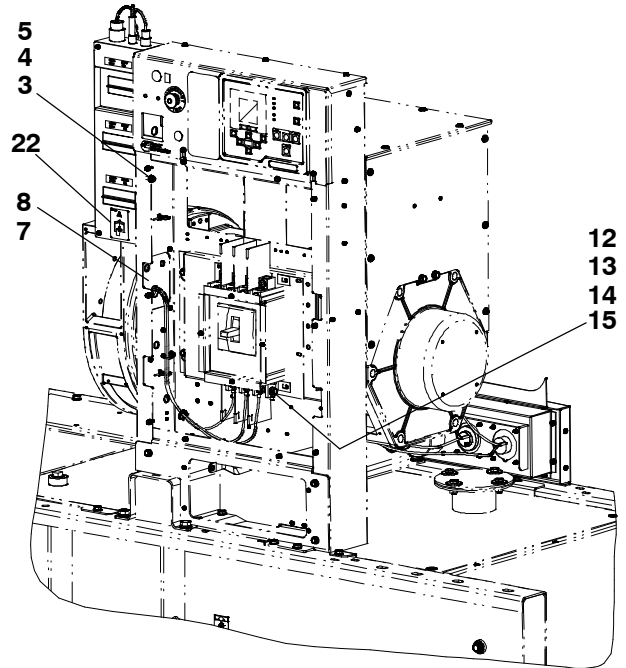
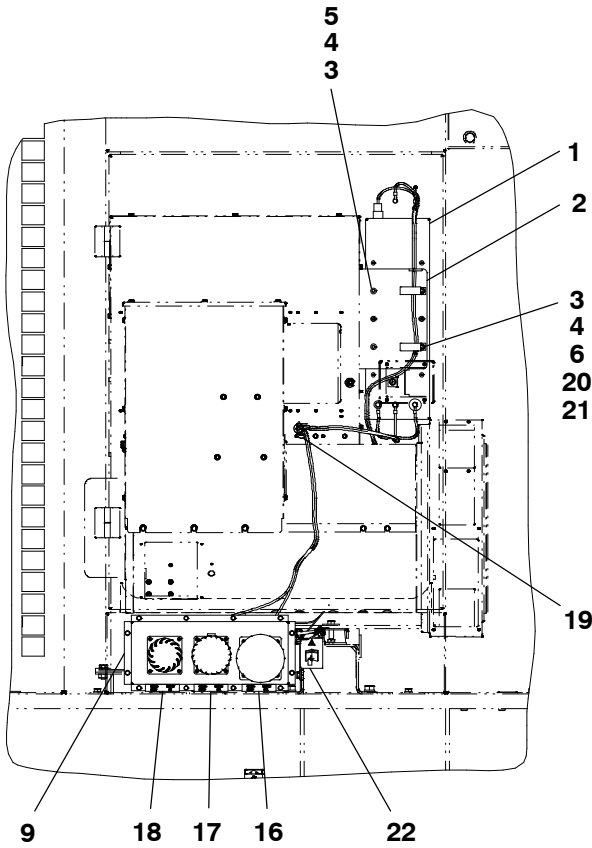
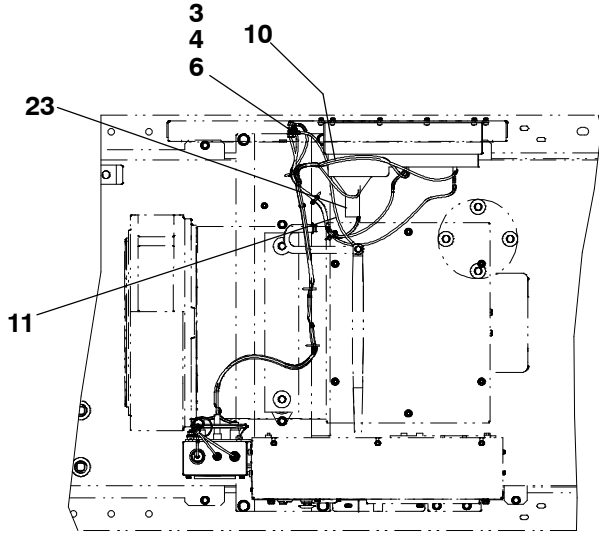
Circuit Breaker (800A)



Circuit Breaker (800A)

Item	Part No.	Description	Qty
1	A040V372	Breaker, Circuit (800A – 4 Pole)	1
2	0319-7369-02	Panel, Circuit Breaker	1
3	0098-8213-01	Label	2
4	0098-8213-02	Label	2
5	0098-8213-03	Label	2
6	0098-8213-04	Label, Information	2
7	A040T758	Cover, Circuit Breaker	1
8	0320-2080	Connector, Cable	1
9	0337-3738-02	Busbar, Circuit Breaker	1
10	0526-0399-56	Washer, Flat	4
11	0821-6002-03	Screw, Hex Head	14
12	0850-0114-52	Washer, Lock	4
13	0862-0026-53	Nut, Hex	4
14	A034F487	Screw, Socket Head	4
15	0725-1049	Screw	4
16	A041E723	Barrier, Phase	1
17	A041C825	Sheet, Insulation	1
18	0332-4001-01	Rail, Terminal	1
19	0526-0399-57	Washer, Flat	2
20	0818-0231-03	Rivet, Pop	2
21	0226-3505-16	Lead (3/0)	12

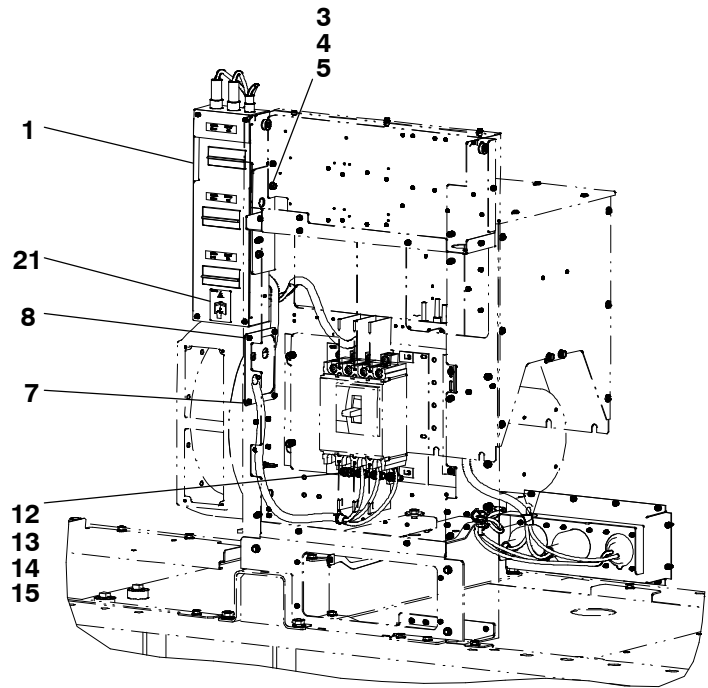
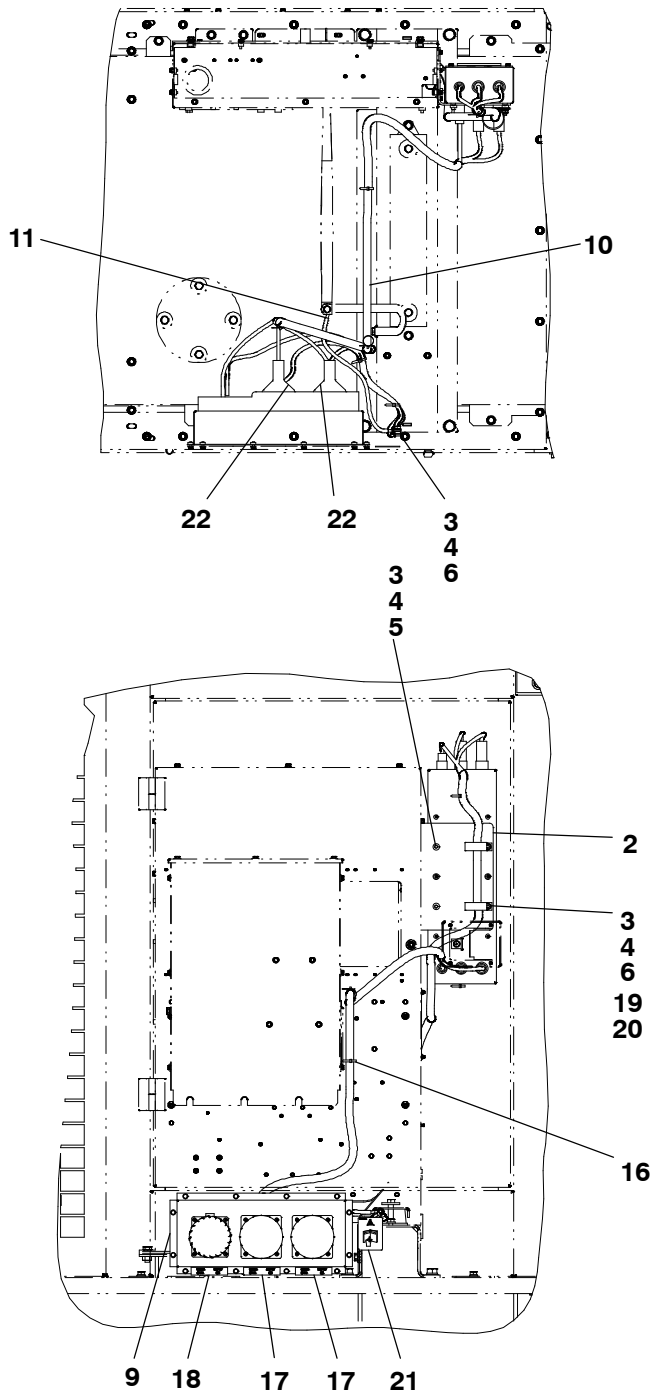
Circuit Breaker Box (C150 D2R)



Circuit Breaker Box (C150 D2R)

Item	Part No.	Description	Qty
1	A041J859	Box, Circuit Breaker	1
2	A041F513	Bracket, Mounting	1
3	0526-0399-60	Washer, Flat	9
4	0850-0114-54	Washer, Lock	9
5	0800-3017-19	Screwe, Hex Head	4
6	0862-0026-55	Nut, Hex	3
7	A041F515	Plate, Accessory Mounting	1
8	0821-6001-01	Screw, Hex Head	4
9	A041F558	Receptacle	1
10	A041K412	Harness, Power	1
11	A041K416	Harness, Power	1
12	0800-3017-39	Screw, Hex Head	4
13	0526-0399-62	Washer, Flat	8
14	0850-0114-55	Washer, Lock	4
15	0862-0026-56	Nut, Hex	4
16	A041A159	Label, Information	2
17	A041A145	Label, Information	1
18	A041A139	Label, Information	1
19	0332-1389	Tie, Cable	8
20	0800-3017-22	Screw, Hex Head	2
21	0518-0548-24	Clamp, Hose	2
22	0098-8100	Label, Warning	2
23	A043X427	Tube, Heat Shrink	1

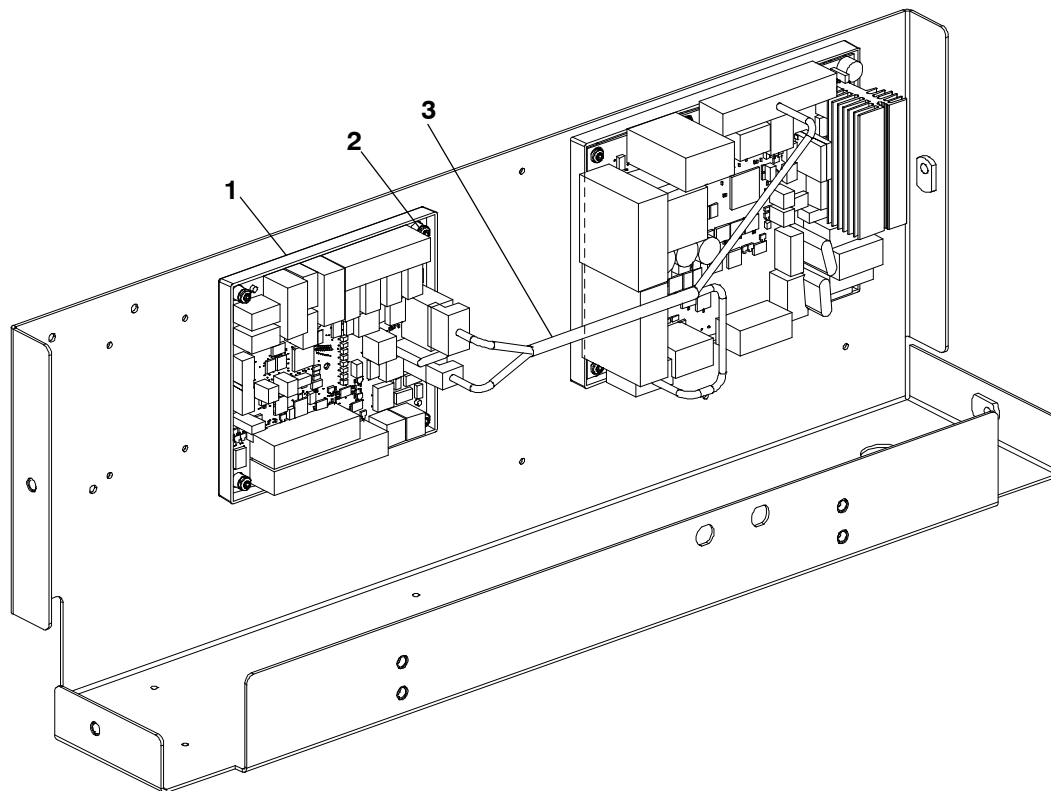
Circuit Breaker Box (C200 D2R)



Circuit Breaker Box (C200 D2R)

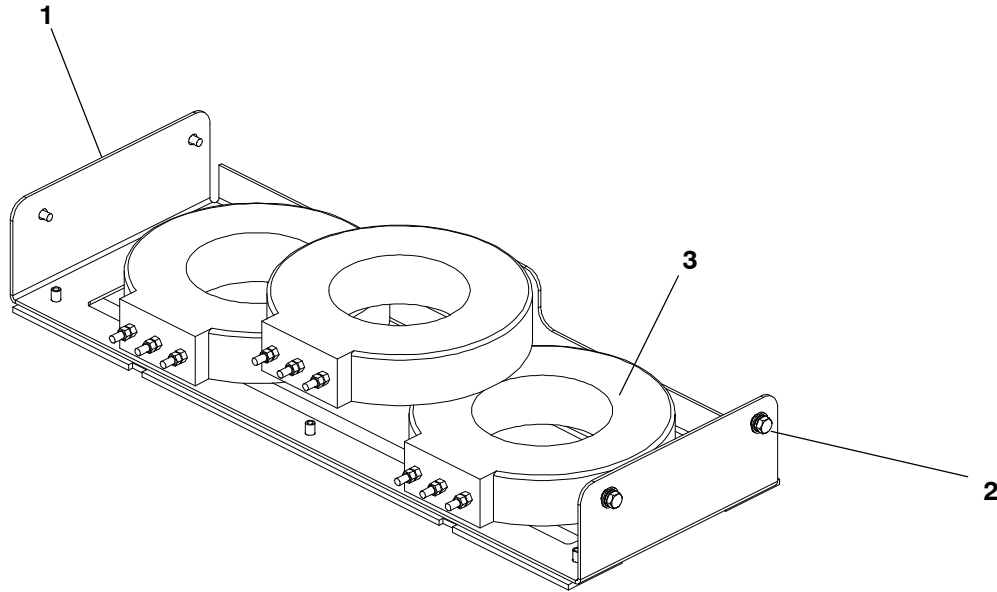
Item	Part No.	Description	Qty
1	A041J861	Box, Circuit Breaker	1
2	A041F513	Bracket, Mounting	1
3	0526-0399-60	Washer, Flat	9
4	0850-0114-54	Washer, Lock	9
5	0800-3017-19	Screwe, Hex Head	4
6	0862-0026-55	Nut, Hex	3
7	A041G357	Plate, Accessory Mounting	1
8	0821-6001-01	Screw, Hex Head	4
9	A041F556	Receptacle	1
10	A041K414	Harness, Power	1
11	A041K416	Harness, Power	1
12	0800-3017-39	Screw, Hex Head	4
13	0526-0399-62	Washer, Flat	8
14	0850-0114-55	Washer, Lock	4
15	0862-0026-56	Nut, Hex	4
16	0332-1389	Tie, Cable	8
17	A041A157	Label, Information	2
18	A041A145	Label, Information	1
19	0800-3017-22	Screw, Hex Head	2
20	0518-0548-24	Clamp, Hose	2
21	0098-8100	Label, Warning	2
22	A043X425	Tube, Heat Shrink	2

Printed Circuit Board – I/O (C150 D2R)



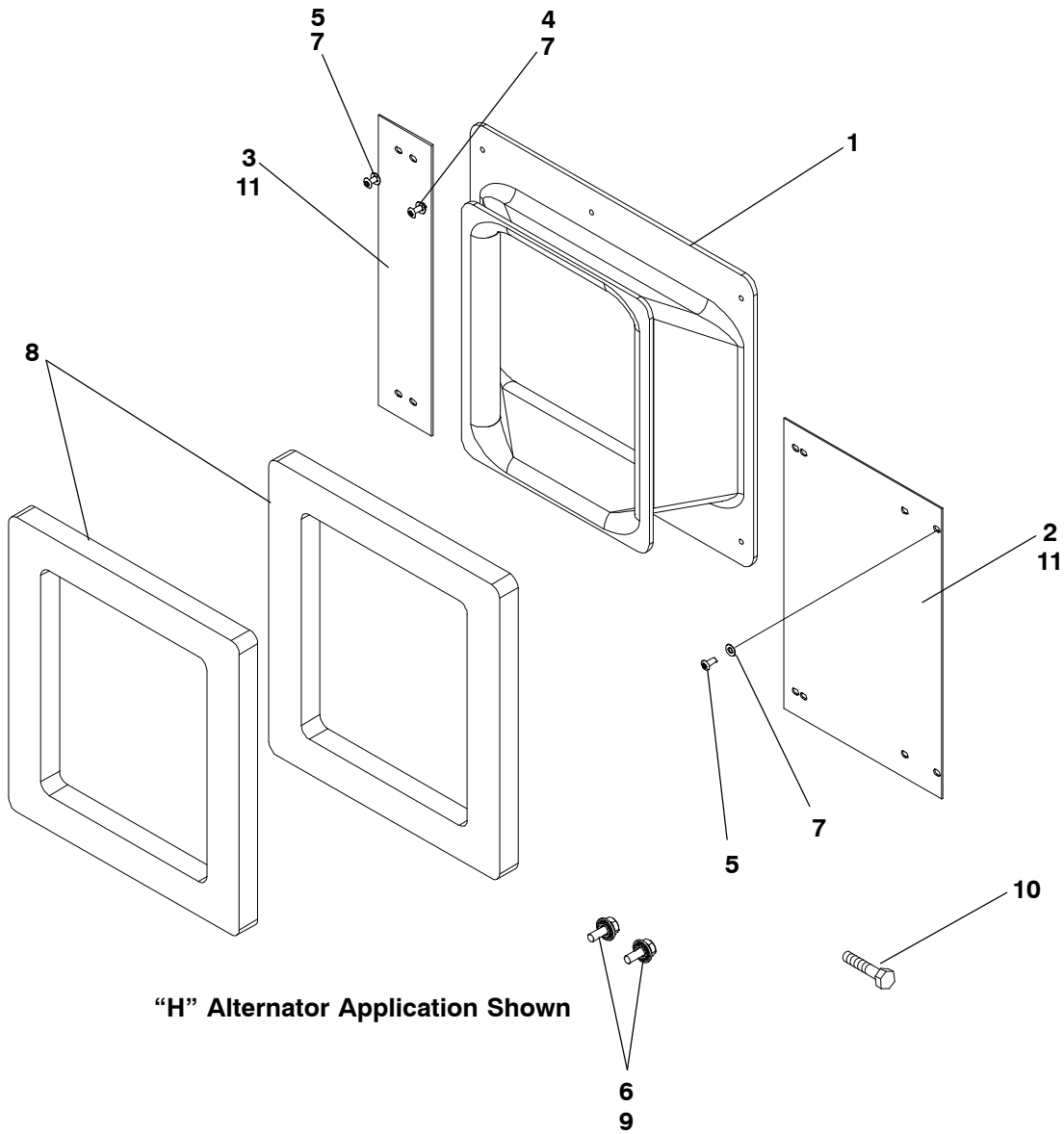
Item	Part No.	Description	Qty
1	0327-1536	Board, Printed Circuit (I/O Device)	1
2	0823-0002-06	Screw, Pan Head – Torx Thread Forming (M4 x 0.7 x 18)	4
3	0338-4885	Harness, Wiring – Accessory	1

Current Transformer



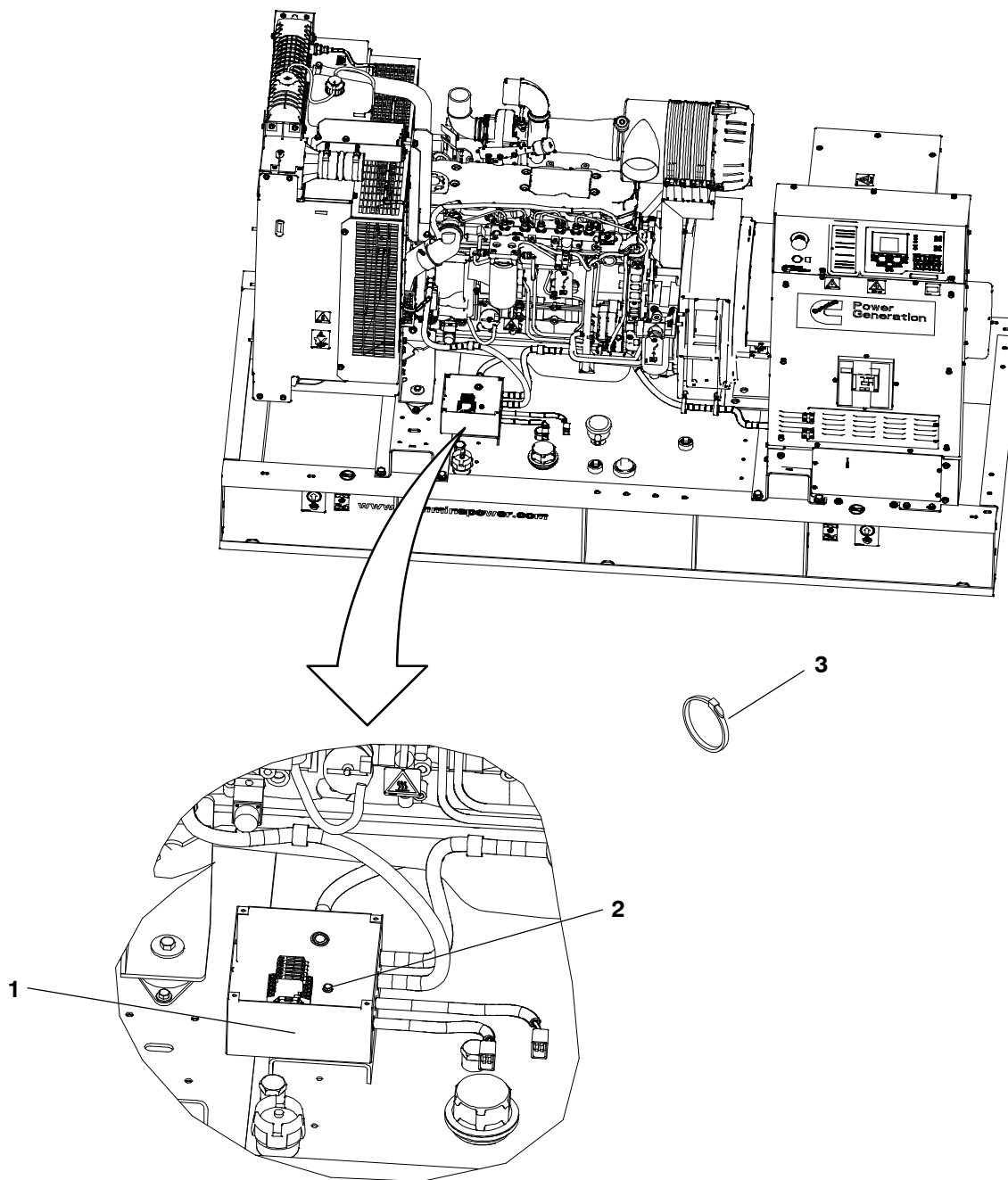
Item	Part No.	Description	Qty
1	0319-6959-02	Bracket, Terminal Box	1
2	0821-6002-02	Screw, Hex Head (M6 x 1 x 12)	4
3	0302-2055-11	Transformer, Current (750/5 Above 300V and 1500/5 300V and Below)	3

Inlet Duct – Circuit Breaker



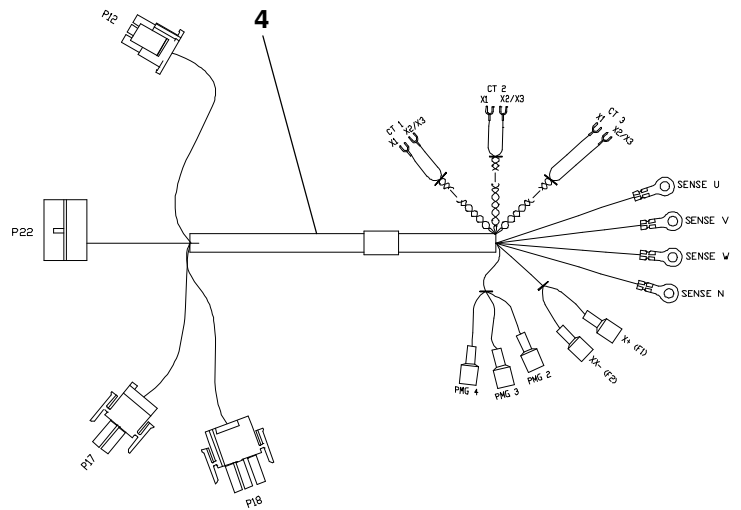
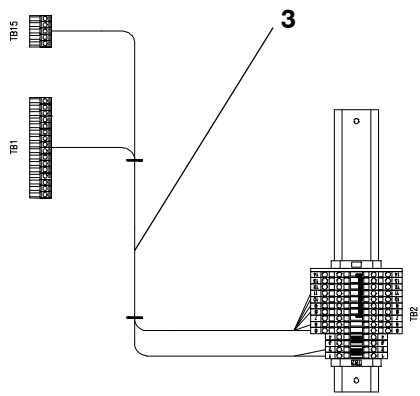
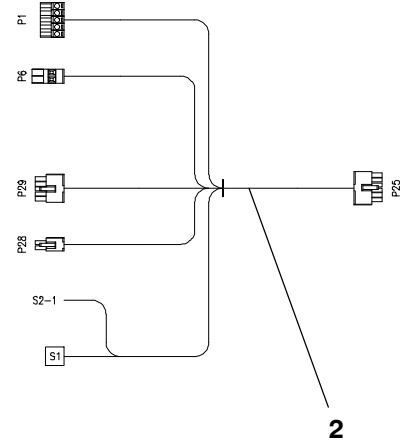
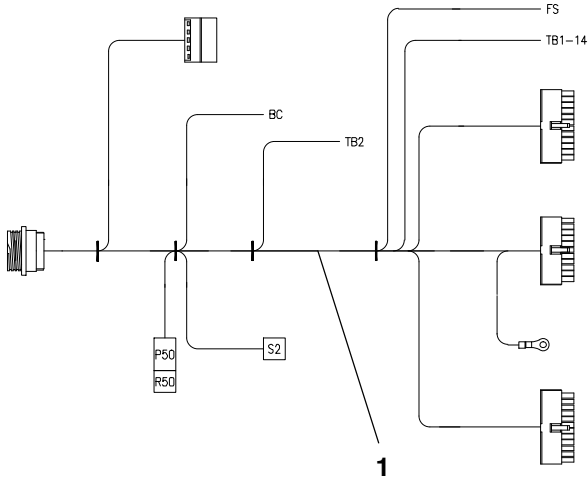
Item	Part No.	Description	Qty
1	0319-6490	Duct, Inlet	1
2	0319-6496-02	Panel, Circuit Breaker (C200 D5R) – "H" Alternator	1
3	0319-6497-02	Panel, Circuit Breaker (C200 D5R) – "H" Alternator	1
4	0818-0231-03	Rivet, Pop	A/R
5	0818-0231-02	Rivet, Pop	A/R
6	0821-6003-01	Screw, Hex Head	3
7	0526-0008	Screw, Hex Head	10
8	0405-9826	Insulation, Duct	2
9	0853-0040-55	Washer, Lock	7
10	0821-6003-02	Screw, Hex Head	4
11	0319-6495-02	Panel, Circuit Breaker (C150 D5R) – "F" Alternator	2

Engine Harness



Item	Part No.	Description	Qty
1	A030Y201	Harness, Genset	1
2	0821-6002-04	Screw, Hex Head	2
3	0332-1389	Tie, Cable	15

Wiring Harnesses



Item	Part No.	Description	Qty
1	A040T761	Harness, Wiring – Control Panel	1
2	0338-5096	Harness, Wiring – Interface (HMI to PCC)	1
3	0338-5097	Harness, Wiring – Interface (Customer Connections)	1
4	0338-5110-01	Harness, Wiring – AC (PMG)	1

Topical Index

A

Adapter, Sensor, **21**

B

Barrier, Phase, **59** , **61**

Battery, **33**

Battery (Isolator), **35**

Block, Coolant Heater Terminal, **16**

Block, Terminal, **29** , **57**

Block, Terminal – Fuse, **36**

Board, Printed Circuit (I/O Device), **66**

Boot, Battery, **35**

Box, Circuit Breaker, **63** , **65**

Box, Terminal, **31**

Box, Tool, **19**

Bracket, Air Filter, **13**

Bracket, Battery, **35**

Bracket, Control, **53**

Bracket, Fuel System, **39**

Bracket, Heat Shield, **11**

Bracket, Oil Pump, **49**

Bracket, Radiator, **19** , **21**

Breaker, Circuit (250A – 4 Pole), **59**

Breaker, Circuit (250A), **59**

Breaker, Circuit (800A – 4 Pole), **61**

Breaker, Circuit (800A), **61**

Breather, **47**

Busbar, Circuit Breaker, **61**

Busbar, Phase, **59**

C

Cable, Electrical, **35**

Cap, Coolant Fill, **21**

Cap, Pressure, **21**

Charger, Battery, **36**

Cleaner, Air, **13**

Control – PC1.2 (C150 D2R), **50**

Control – PC3.3 (C200 D2R), **51**

Cover, Circuit Breaker, **59** , **61**

Cup, Switch, **59**

D

Display, Control, **50** , **51**

Door, Enclosure, **43**

Drain, Radiator, **21**

Duct, Inlet, **68**

E

Edging, **31**

Enclosure – Sefid, **43** , **44**

Engine – Accessories, **11**

Engine – Complete, **11**

F

Fan, Radiator, **21**

Fasteners, Generator, **28**

Filter, Air, **13**

Foot, Mounting – Engine, **12**

Frame, Lifting, **43**

Fuel System, **39**

Fuel System (Vent), **47**

Fuse, **16** , **29** , **53**

Fuse (1 Amp), **36**

G

Gasket, Door, **43**

Generator – UC274 – 1 Bearing, 4 Pole, **25**

Guard, Belt, **21**

Guard, Radiator, **21**

H

Handle, Door, **43**

Index (Continued)

Harness, Accessory, **53** , **54**
Harness, Alarm, **56**
Harness, Alternating Current, **29**
Harness, Engine, **69**
Harness, Power, **55** , **63** , **65**
Harness, Switch, **29**
Harness, Wiring, **40**
Harness, Wiring – AC (PMG), **70**
Harness, Wiring – Accessory, **66**
Harness, Wiring – Battery Charger, **36**
Harness, Wiring – Control Panel, **70**
Harness, Wiring – Interface (Customer Connections),
70
Harness, Wiring – Interface (HMI to PCC), **70**
Harness, Wiring – Low Coolant Level Sensor, **22**
Harness, Wiring – PMG, **30**
Heater, Air, **29**
Heater, Alternator, **29**
Heater, Coolant, **15**
Holder, Battery, **35**
Hose, Coolant, **15**
Hose, Radiator, **19** , **21**

I

Isolator, Vibration, **19** , **32**

J

Jumper, Adjacent, **36**
Jumper, Terminal, **29** , **55** , **57**

K

Kit, Fuel System, **39**
Kit, Insulation, **45**
Kit, Panel, **44**

L

Latch, Door, **44**

Lead (3/0), **59** , **61**
Lead, Earth, **46**
Link, Neutral Earth, **46**

M

Mat, Slip Resistant, **43**
Module, Alarm, **56**
Mount, Engine, **21**
Mounting, Oil System, **48**
Muffler, Exhaust – Residential, **43**

O

Oil System, **49**

P

Pad, Mounting, **39**
Panel, Enclosure, **43**
Panel, Roof, **43**
Pin, Parallel – PMG, **30**
Pipe, Exhaust, **11**
Plate, Accessory Mounting, **63** , **65**
Plate, Fuse Holder End, **36**
Plate, Support, **21**
Plate, Terminal Block End, **57**
Plug, Quick Connector, **55**
PMG, **30**
Pump, Fuel, **49**

R

Radiator, **19** , **21**
Rail, Terminal, **61**
Relay – 12V, **57**
Relay – 2P Base, **57**
Retainer, Seal, **43**

Index (Continued)

Rod, Battery Hold Down, **35**

Rotor, PMG, **30**

S

Sensor, Coolant Level, **22**

Sheet, Insulation, **59 , 61**

Shield, Heat, **11**

Shunt Trip – 12V, **59**

Skid, **32**

Standoff, Insulator, **46**

Stator, PMG, **30**

Stop, Door, **43**

Stop, End, **36**

Stop, Terminal Block End, **57**

Strap, Electrical, **32 , 43**

Strap, Ground, **54**

Switch, **56**

Switch – Used as Trip Alarm or Auxiliary Contact, **59**

Switch, Fuel Level, **40**

T

Tank, Coolant/Recovery, **19**

Transformer, Current, **53 , 67**

Tray, Battery, **35**

V

Valve, Ball, **11**

This page is Intentionally blank.

Numerical Index

<u>Part No.</u>	<u>Page</u>	<u>Part No.</u>	<u>Page</u>	<u>Part No.</u>	<u>Page</u>	<u>Part No.</u>	<u>Page</u>
003-14027, 26		0232-3462-02, 30		0332-3923-02, 57		0416-1019, 35	
0098-8100, 63 , 65		0234-0875-02-G, 30		0332-3925-01, 57		0416-1020, 35	
0098-8213-01, 59 , 61		0249-0814, 57		0332-3926, 36 , 57		0416-1203, 35	
0098-8213-02, 59 , 61		0300-5937, 56		0332-3927-02, 57		0416-1204, 35	
0098-8213-03, 59 , 61		0300-6611-01, 50		0332-3944, 16 , 29 , 36		0416-1300, 36	
0098-8213-04, 59 , 61		0302-2055-11, 67		0332-3945, 36		0416-1314, 35	
0098-8586, 39		0307-3046, 57		0332-3974, 35		0416-1317-02, 35	
0098-8612, 39		0315-1607-03, 53		0332-4001-01, 59 , 61		0416-1356-01, 35	
0098-8613, 39		0319-6255-02, 47		0332-4020, 29 , 36 , 55		0416-1356-03, 35	
0098-8939, 56		0319-6486-02, 59		0332-4036-02, 57		0502-0029, 11	
0100-4023-04, 11		0319-6490, 40 , 68		0332-4106, 16 , 50 , 51		0502-0942, 15	
0120-1345-02, 49		0319-6495-02, 68		0333-0729-02, 15		0502-1293, 19	
0130-6774-02, 21		0319-6496-02, 68		0333-0736-02, 15		0502-1369, 49	
0130-6946-02, 21		0319-6497-02, 68		0337-3582-08, 43		0502-1490, 49	
0130-7294-02, 21		0319-6498-02, 31		0337-3585-01, 46		0502-1491, 15	
0130-7299-02, 19		0319-6499-02, 31		0337-3738-02, 61		0502-1546, 47	
0130-7313-02, 21		0319-6500-02, 31		0337-3741-01, 32		0503-1870-08, 13	
0130-7370, 19		0319-6502-02, 31		0337-3741-02, 54		0503-1870-10, 13	
0130-7377-02, 21		0319-6959-02, 67		0337-3741-06, 32		0503-1872-03, 19 , 21	
0130-7412-02, 21		0319-7369-02, 61		0338-3265, 30		0503-1872-04, 21	
0130-7413-02, 19		0319-7389-02, 31		0338-4587, 36		0503-2157-01, 15	
0130-7452, 19		0320-1981-01, 59		0338-4883, 36		0503-2208-02, 49	
0130-7454, 21		0320-1981-02, 59		0338-4885, 66		0503-2373, 47	
0130-7688, 21		0320-2080, 61		0338-4905, 29		0503-2550, 48 , 49	
0130-7689, 21		0320-2156-04, 59		0338-5096, 70		0503-2655, 47	
0130-7690, 21		0320-2156-09, 59		0338-5097, 70		0503-2791-03, 15	
0130-8199, 19		0320-2246, 59		0338-5110-01, 70		0503-2791-04, 15	
0130-8217, 21		0321-0394-01, 36		0338-5192, 56		0503-2853, 13	
0133-0228, 29		0321-0394-02, 29		0338-5226, 40		0503-2861, 19	
0140-4041-02, 13		0321-0394-08, 16		0402-0728-02, 19		0503-2912, 21	
0140-4305-01, 13		0321-9394-02, 53		0402-0912-02, 32		0503-2934, 21	
0148-1324-02, 39		0321-9394-03, 53		0402-0969-01, 32		0503-2961, 21	
0155-2305, 43		0323-2083, 35		0403-4937, 39 , 54		0503-3090, 21	
0155-3289, 11 , 43		0323-2601, 55		0403-6561-02, 32		0504-0198, 11	
0155-4640-02, 11		0327-1536, 66		0403-6678-02, 12 , 21		0504-0267, 11	
0155-4656-02, 43		0327-1601-01, 51		0403-6679-02, 12 , 21		0505-0019, 15	
0155-4763, 11		0332-1389, 39 , 48 , 53 , 55 , 63 , 65 , 69		0404-0800-03, 43		0505-0021, 15	
0155-5010-02, 43				0405-9826, 68		0505-2098, 49	
0159-1633, 47		0332-1794, 16 , 50 , 51		0405-9996, 43		0505-2141, 49	
0179-4503, 47		0332-2420, 53 , 55		0406-1059, 44		0508-1119, 50 , 51	
0226-3505-16, 59 , 61		0332-2878, 53		0406-1077, 43		0508-1201, 55	

Numerical Index (Continued)

<u>Part No.</u>	<u>Page</u>	<u>Part No.</u>	<u>Page</u>	<u>Part No.</u>	<u>Page</u>	<u>Part No.</u>	<u>Page</u>
0508-1286, 31		0800-3017-39, 28 , 54 , 63 , 65		0856-0023, 31		45-0523, 26	
0518-0548-24, 63 , 65		0800-3017-40, 32 , 49		0856-0030, 35		45-0524, 26	
0518-0548-35, 11		0800-3017-42, 32		0860-2059, 19 , 21		45-0634, 26	
0518-0548-44, 11		0800-3017-53, 15		0862-0026-53, 53 , 61		45-0742, 26	
0518-0742, 47		0800-3017-54, 11		0862-0026-54, 43		45-0863, 26	
0526-0008, 68		0800-3017-56, 11 , 32		0862-0026-55, 35 , 43 , 46 , 63 , 65		45-0868, 25	
0526-0026, 28		0800-6373-04, 35		0862-0026-56, 32 , 35 , 49 , 54 , 63 , 65		45-0912, 26	
0526-0392, 19		0805-0015, 28		210-1037, 25		45-1080, 25	
0526-0399-54, 36		0815-0761-01, 30		230-1209, 25		450-14310, 25	
0526-0399-56, 53 , 61		0815-1540-18, 53		310-1028, 25		450-14360, 25	
0526-0399-57, 59 , 61		0815-1540-40, 53		330-10001, 26		450-14450, 25	
0526-0399-58, 39 , 43		0818-0231-02, 68		330-10002, 25		450-15617, 25	
0526-0399-59, 35		0818-0231-03, 59 , 61 , 68		330-10020, 26		4929149, 11	
0526-0399-60, 11 , 35 , 43 , 46 , 59 , 63 , 65		0821-2076, 12 , 21		330-10049, 26		A026G545, 21	
0526-0399-62, 11 , 32 , 48 , 49 , 54 , 63 , 65		0821-6001-01, 59 , 63 , 65		330-10069, 25		A026G869, 21	
0526-0399-63, 11 , 35		0821-6001-02, 30		330-10076, 26		A028Z105, 22	
0526-0399-64, 11 , 15		0821-6001-03, 55		330-10137, 25		A029L465, 22	
0526-2120, 19 , 21		0821-6002-02, 31 , 43 , 47 , 67		330-10381, 25		A029M560, 30	
0526-2122, 28		0821-6002-03, 31 , 59 , 61		330-10382, 25		A029M562, 30	
0526-2306, 32		0821-6002-04, 43 , 69		330-10388, 25		A029Y198, 35	
0526-2352, 21		0821-6003-01, 19 , 21 , 43 , 59 , 68		330-10388, 25		A030H276, 43	
0725-1049, 61		0821-6003-02, 43 , 68		330-10388, 25		A030K879, 54	
0775-0049, 30		0821-6003-03, 54		330-10388, 25		A030Y201, 69	
0800-0309-76, 36		0821-6004-01, 11 , 19		330-10389, 25		A032Y042, 11	
0800-0309-89, 53		0821-6006-01, 15		330-10601, 25		A034F487, 61	
0800-2052, 46		0821-6007-02, 43		330-10602, 25		A034G317, 59	
0800-2074, 43		0823-0002-06, 66		330-10604, 25		A034G704, 11	
0800-2084, 21		0850-0114-51, 36		330-10609, 25		A034M737, 59	
0800-2087, 21		0850-0114-52, 53 , 61		330-10622, 25		A035B886, 29	
0800-2092, 19		0850-0114-53, 39 , 43		330-1088, 25		A035C905, 43	
0800-2097, 21		0850-0114-54, 11 , 43 , 46 , 59 , 63 , 65		3957770, 11		A035M489, 32	
0800-2111, 11		0850-0114-55, 11 , 48 , 49 , 54 , 63 , 65		410-10536, 25		A040T485, 46	
0800-3017-06, 39 , 43		0850-0114-56, 11		45-0075A, 25		A040T624, 50 , 51	
0800-3017-19, 63 , 65		0850-2006, 30		45-0117, 26		A040T758, 59 , 61	
0800-3017-20, 11 , 59		0850-2010, 30		45-0118, 26		A040T761, 70	
0800-3017-21, 35		0853-0040-55, 68		45-0367, 26		A040T933, 55	
0800-3017-22, 63 , 65		0856-0012, 32		45-0428, 25		A040U173, 53	
0800-3017-37, 11 , 48				45-0522, 26		A040U994, 46	
0800-3017-38, 11						A040V372, 61	
						A040X370, 21	
						A041A139, 63	

Numerical Index (Continued)

<u>Part No.</u>	<u>Page</u>	<u>Part No.</u>	<u>Page</u>	<u>Part No.</u>	<u>Page</u>	<u>Part No.</u>	<u>Page</u>
A041A145, 63 , 65		A041E272, 43		A041W736, 51		A043F590, 35	
A041A157, 65		A041E723, 61		A041X320, 45		A043F600, 35	
A041A159, 63		A041F513, 63 , 65		A041Y364, 54		A043G812, 43	
A041A303, 50		A041F515, 63		A042N103, 21		A043G817, 43	
A041A305, 51		A041F556, 65		A042N130, 21		A043G823, 43	
A041A344, 21		A041F558, 63		A042N132, 21		A043G831, 43	
A041B710, 53		A041G357, 65		A042N172, 19		A043K196, 39	
A041C825, 59 , 61		A041G560, 43		A042P695, 43		A043M969, 49	
A041D460, 43		A041G564, 43		A043A298, 43		A043X425, 65	
A041D462, 43		A041G910, 46		A043A933, 43		A043X427, 63	
A041D464, 43		A041J859, 63		A043B199, 43		A046M219, 11	
A041D468, 43		A041J861, 65		A043B280, 43		A046N964, 11	
A041D472, 43		A041J980, 43		A043B415, 21		A048F940, 35	
A041D474, 43		A041K188, 44		A043B417, 19		A048H529, 11	
A041D476, 43		A041K363, 59		A043C428, 53		E000–23412/1P, 26	
A041D480, 43		A041K412, 63		A043C677, 33		E000–24403/1P, 26	
A041E050, 43		A041K414, 65		A043C988, 11		E000–24602/1P, 26	
A041E056, 43		A041K416, 63 , 65		A043C990, 11		RSK–2001, 25	
A041E080, 43		A041L240, 43		A043D736, 49			
A041E269, 43		A041M271, 21		A043F455, 35			

This page is Intentionally blank.

power.cummins.com

Copyright ©2016 Cummins Inc. All rights reserved.

Cummins Power Generation, the "C" logo, and Cummins are trademarks of Cummins Inc.

PowerCommand, AmpSentry, InPower and "Our energy working for you." are trademarks of Cummins Power Generation Inc.

Other company, product, or service names may be trademarks or service marks of others.

Specifications are subject to change without notice.

