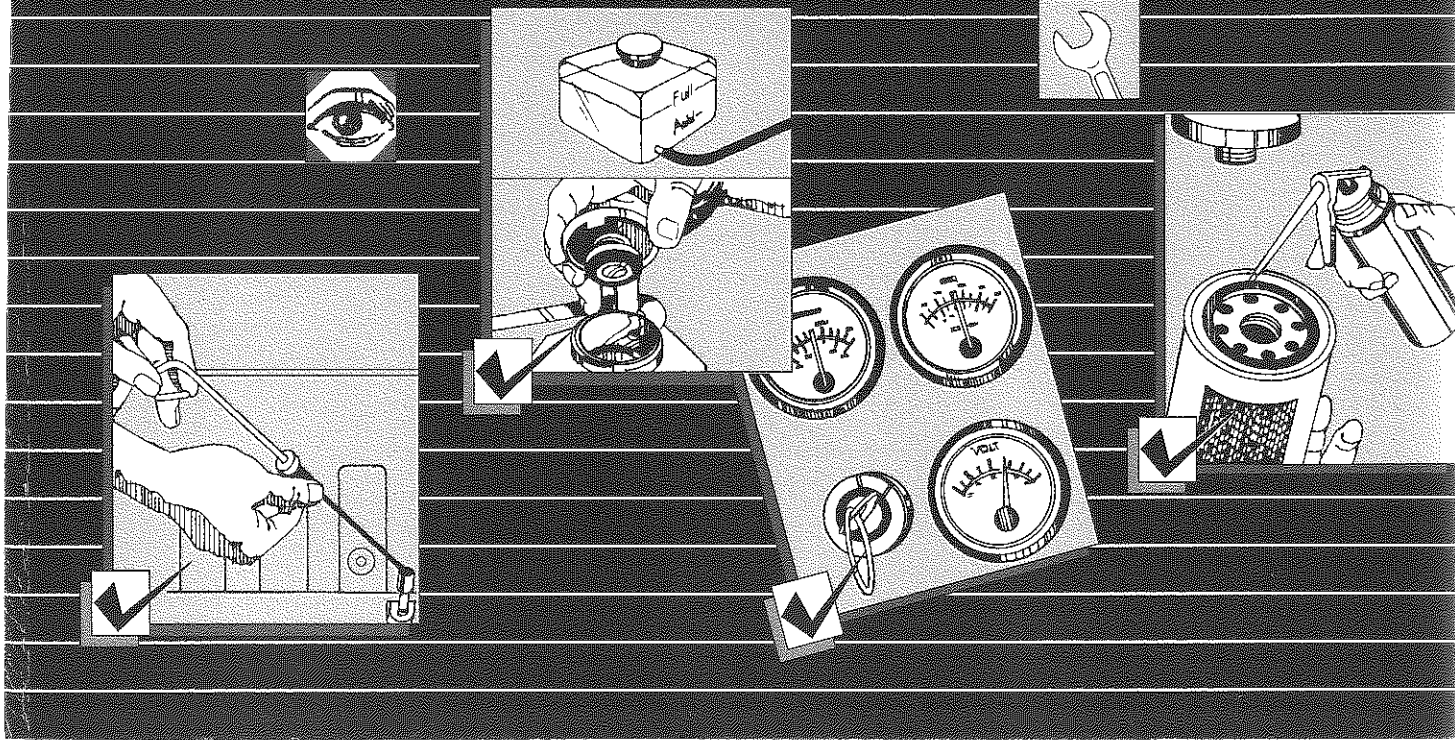




Owners Manual QSB4.5 and QSB6.7 Engine



CALIFORNIA Proposition 65

⚠ WARNING: Breathing diesel engine exhaust exposes you to chemicals known to the State of California to cause cancer and birth defects or other reproductive harm.

- Always start and operate the engine in a well-ventilated area.
- If in an enclosed area, vent the exhaust to the outside.
- Do not modify or tamper with the exhaust system.
- Do not idle the engine except as necessary.

For more information go to www.P65warnings.ca.gov/diesel.

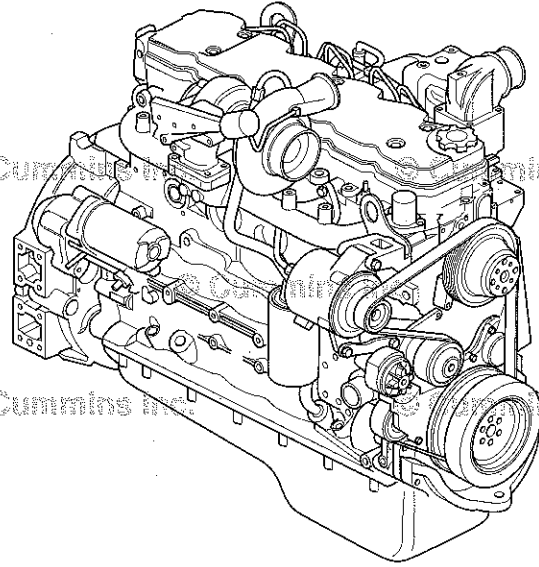
Off-Road Equipment

CALIFORNIA Proposition 65 Warning

Diesel engine exhaust and some of its constituents are known to the State of California to cause cancer, birth defects, and other reproductive harm.



Owners Manual QSB4.5 and QSB6.7 Engine



© Cummins Inc.

© Cummins Inc.

00000182

Copyright© 2017
Cummins Inc.
All rights reserved

Bulletin 4915973
Printed 29-JULY-2017

To buy Cummins Parts and Service Manuals, Training Guides, or Tools go to our website at <https://store.cummins.com>

First Name

Last Name

Customer Name

Address

City

State

Zip Code

Phone Number

Email Address

Engine Serial Number (Must be 8 digits)

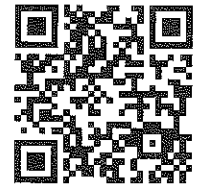
VIN

Date of Purchase (MM-DD-YYYY)

In order to serve you better it is important to register your product.

Use one of the following options to register your product:

- Scan the QR code and complete the registration online.



- Complete the registration online at prodreg.cummins.com
- Fill out and return this card.

Cummins Product Registration

Foreword

Thank you for depending on Cummins® products. If you have any questions about this product, please contact your Cummins® Authorized Repair Location. You can also visit cumminsengines.com or quickservice.cummins.com for more information, or go to locator.cummins.com for Cummins® distributor and dealer locations and contact information.

Read and follow all safety instructions. See the General Safety Instructions in Section i - Introduction.

To buy Cummins Parts and Service Manuals, Training Guides, or Tools go to our website at <https://store.cummins.com>

Table of Contents

	Section
Introduction	i
Engine and System Identification	E
Operating Instructions	1
Maintenance Guidelines	2
Service Literature	L
Service Assistance	S
Maintenance Specifications	V
Warranty	W
Back	back

To buy Cummins Parts and Service Manuals, Training Guides, or Tools go to our website at <https://store.cummins.com>

Important Reference Numbers

Fill in the blank spaces provided below. This will provide a reference whenever service or maintenance is required.

Description	Number	Comments/Additional Information
Engine		
Engine Model		
Engine Serial Number (ESN)		
Control Parts List (CPL)		
Electronic Control Module (ECM) Part Number(s)		
Electronic Control Module (ECM) Serial Number(s)		
Governor Control Module (GCM) (if applicable)		
Belt Part Number(s)		
Filter Part Numbers:		
Air		
Lubricating Oil		
Fuel*		
Fuel (Water Separator)		
Coolant (if equipped)		
Crankcase/Breather (if equipped)		

To buy Cummins Parts and Service Manuals, Training Guides, or Tools go to our website at <https://store.cummins.com>

Description	Number	Comments/Additional Information
Eliminator™ Filter Centrifuge (if equipped)		
*The number of fuel filters may vary by application. Record all fuel filters.		
Aftertreatment (if applicable):		
Aftertreatment Diesel Particulate Filter (if equipped)		
Aftertreatment Diesel Exhaust Fluid Dosing Unit Filter (if equipped)		
Aftertreatment Diesel Exhaust Fluid Dosing Air Oil Separator (if equipped)		
Clutch or Marine Gear (if applicable):		
Model		
Serial Number		
Part Number		
Oil Type		
Sea Water Pump:		
Model		
Part Number		

To buy Cummins Parts and Service Manuals, Training Guides, or Tools go to our website at <https://store.cummins.com>

Section i - Introduction

Section Contents

	Page
Acronyms and Abbreviations	i-37
General Information.....	i-37
General Safety Instructions	i-9
Aftertreatment.....	i-22
Best Practices.....	i-9
Common Hazards.....	i-29
Common Substances.....	i-24
Electrical Components.....	i-28
Fuels.....	i-14
Hazardous Substances.....	i-26
Important Safety Notice.....	i-9
Job Safety Assessment.....	i-31
Personal Protective Equipment (PPE).....	i-11
Power Generation Applications.....	i-21
Work Environment.....	i-9
Illustrations	i-8
General Information.....	i-8
Symbols	i-1
General Information.....	i-1

This Page Left Intentionally Blank

QSB4.5 and QSB6.7
Section i - Introduction

Symbols
Page i-1

Symbols

General Information

The symbols have been used in this manual to help communicate the intent of the instructions. When one of the symbols appears, it conveys the meaning defined below.

NOTE: It is possible to have four symbols for each text and graphic combination.

WARNING

Serious personal injury or extensive property damage can result if the warning instructions are not followed.

⚠ CAUTION ⚠

Minor personal injury can result or a part, and assembly, or the engine can be damaged if the caution instructions are not followed.



Indicates a **REMOVAL** or **Dissassembly** step.

To buy Cummins Parts and Service Manuals, Training Guides, or Tools go to our website at <https://store.cummins.com>

Indicates an **INSTALLATION** or **ASSEMBLY** step.



INSPECTION is required.





CLEAN the part or assembly.



PERFORM a mechanical or time **MEASUREMENT**.

To buy Cummins Parts and Service Manuals, Training Guides, or Tools go to our website at <https://store.cummins.com>

LUBRICATE the part or assembly.



Indicates that a **WRENCH** or **TOOL SIZE** will be given.





TIGHTEN to a specific torque.



PERFORM an electrical **MEASUREMENT**.

To buy Cummins Parts and Service Manuals, Training Guides, or Tools go to our website at <https://store.cummins.com>

QSB4.5 and QSB6.7
Section i - Introduction

Symbols
Page i-7

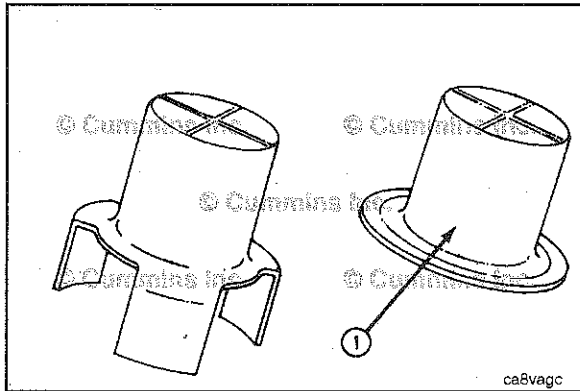
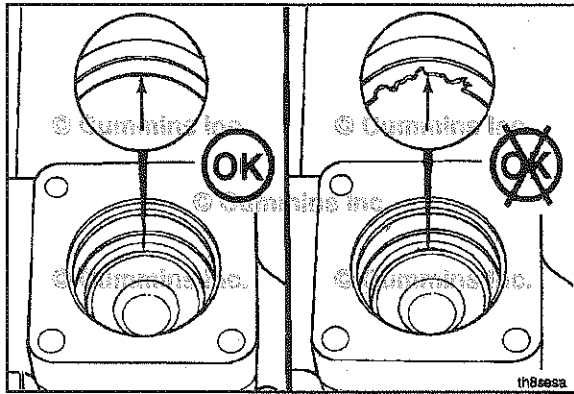
Refer to another location in this manual or another publication for additional information.



The component weighs 23kg [50 lbs] or more. To reduce the possibility of personal injury, use a hoist or get assistance to lift the component.



To buy Cummins Parts and Service Manuals, Training Guides, or Tools go to our website at <https://store.cummins.com>



Illustrations

General Information

Some of the illustrations throughout this manual are generic and will **not** look exactly like the engine or parts used in your application. The illustrations can contain symbols to indicate an action required and an acceptable or **not** acceptable condition.

The illustrations are intended to show repair or replacement procedures. The procedure will be the same for all applications, although the illustration can differ.

To buy Cummins Parts and Service Manuals, Training Guides, or Tools go to our website at <https://store.cummins.com>

General Safety Instructions

Important Safety Notice

Read and understand the safety information and precautions before performing any repair or operating equipment. This procedure contains general safety precautions that **must** be followed to provide personal safety. **Always** follow procedures to mitigate safety concerns.

Work Environment

Follow these recommended practices when servicing products.

- **Always** follow on-site safety requirements.
- **Always** follow local training, certification, authorization, and specific customer requirements. Do **not** work on products unless proper training has been completed to allow safe repair completion. Do **not** operate equipment unless proper training has been completed to allow safe operation..
- Work in a well-ventilated area away from ignition sources.
- If adverse weather conditions are present, take appropriate safety precautions when performing work.
- **Always** be aware of hazardous conditions that may exist in the work environment.

Best Practices

Follow these recommended practices when servicing or operating equipment.

- **Always** wear protective glasses and protective shoes.
- Remove rings, watches, long jewelry, or metallic items.
- Do **not** wear loose fitting or torn clothing, jewelry, long hair, etc.. These increase the risk for personal injury.

To buy Cummins Parts and Service Manuals, Training Guides, or Tools go to our website at <https://store.cummins.com>

- Do **not** perform any repairs, or operate equipment, when fatigued or impaired due to drugs or alcohol.
- **Always** use tools that are in good condition.
- Do **not** work on equipment with the key switch ON or that is running unless otherwise directed by troubleshooting procedures.
- If any work **must** be performed while the key switch is ON or the unit is running, use extreme caution around hot components, moving parts, etc.
- Exercise caution when working on products that have just been turned off. Hot parts may cause burns or ignite or melt common materials.
- Do **not** bleed the fuel system of a hot engine. Contact with hot manifolds or other components can cause a fire.
- Do **not** attempt to rotate the crankshaft by pulling or prying on the fan. **Only** use proper engine barring techniques.
- Do **not** lift components that weigh 23 kg [50 lb] or more. Use mechanical help or seek assistance.
- Exercise caution when working around rotating parts. Rotating parts can cause cuts, mutilation, or strangulation.
- Exercise caution when working on electrical components. High voltages can cause serious injury or death.
- Relieve system pressure as instructed before removing or disconnecting lines, fittings, or related items.
- **Always** test for pressure leaks as instructed.
- **Always** torque fittings and connections to the required specifications. Over or under tightening can damage threads and create leaks.
- **Always** use the same fastener part number, or equivalent, when replacing fasteners.

Perform the following prior to beginning work on any products.

- Shutdown the equipment unless otherwise directed by troubleshooting procedures.

To buy Cummins Parts and Service Manuals, Training Guides, or Tools go to our website at <https://store.cummins.com>

- **Always** allow the product to cool.
- **Always** ensure the product is properly supported by blocks or stands. Do **not** work on a product supported **only** by lifting jacks or hoists.
- Disconnect the battery unless otherwise directed by troubleshooting procedures.
- Disconnect the starting motor, if equipped, unless otherwise directed by troubleshooting procedures.
- Place a "Do NOT Operate" tag in the operator area or near the product controls.
- Become familiar with the tools required for performing the task at hand and how to use those tools correctly.
- Use only genuine Cummins or Cummins Recon replacement parts as instructed.

Personal Protective Equipment (PPE)

To reduce the possibility of personal injury, personal protective equipment (PPE) should be utilized. Various types of PPE are listed below. Use proper judgment to determine which types of PPE are required for a given task. **Always** meet on-site safety regulations for required PPE. Proper maintenance of safety equipment **must** be practiced. Integrity of safety equipment **must** be checked to ensure equipment functionality is maintained.

Eye Protection

Eye protection **must always** be worn. Wear appropriate eye protection based on the task being completed. Types of eye protection to consider are listed below.

- Safety glasses. Exposure to flying particles or debris, chemicals or caustic liquids, gases or vapors.
- Polarized safety glasses. Working in outdoor or bright lighting environments.
- Over-the-glass safety glasses. Add protection to prescription glasses.
- Safety goggles. Handling caustic liquids or chemicals.

To buy Cummins Parts and Service Manuals, Training Guides, or Tools go to our website at <https://store.cummins.com>

- Shade or arc rated eyewear. Exposure to welding. Use appropriate filter ratings.

Foot Protection

Protective shoes **must always** be worn. Wear appropriate foot protection based on the task being completed. Types of protective footwear to consider are listed below.

- Steel toed shoes. Exposure to falling or rolling objects. Working with or around parts, tools, and equipment.
- Chemical resistant. Exposure to chemicals and other fluids.
- Overshoes and overboots. Add protection to everyday work shoes.
- Foot, toe, and metatarsal guards. Add protection to everyday work shoes.
- Electrical hazard safety toe shoes. Exposure to electrical hazards.
- Leather footwear or shoe protectors. Exposure to welding or arc flash.
- Cold protection. Exposure to cold weather.

Head and Face Protection

Wear appropriate face protection based on the task being completed. Types of head and face protection to consider are listed below.

- Hard hats. Exposure varies. Consider welding, heat, or arc-rated.
- Visors. Exposure varies. Consider welding, heat, or arc-rated.
- Face liners. Exposure to cold weather.
- Face shields. Exposure to liquid splash. Handling caustic liquids or chemicals.

Hand Protection

To buy Cummins Parts and Service Manuals, Training Guides, or Tools go to our website at <https://store.cummins.com>

Wear appropriate type and fit of gloves based on the task being completed. Types of protective gloves to consider are listed below.

- Heat resistant or insulated. Exposure to hot items.
- Flame resistant. Exposure to welding or arc flash.
- Impact resistant. Performing repetitive impact and vibration work. Using pneumatic tools.
- Impervious. Exposure to high pressure fluids.
- Chemical resistant. Exposure to chemicals, fluids, or batteries.
- Cut resistant. Handling sharp objects or tools.
- Cold weather. Exposure to cold weather.

Hearing Protection

When working around operating equipment, appropriately rated hearing protection should be worn. Types of hearing protection to consider are listed below.

- Single use ear plugs.
- Pre-formed ear plugs.
- Ear muffs.

Protective Clothing

Wear appropriate protective clothing based on the task being completed. Types of protective clothing to consider are listed below.

- Flame resistant. Exposure to electrical hazards. Exposure to oil and gas or generator set applications. Performing welding.

- Chemical resistant. Exposure to chemicals.
- High visibility. Exposure to reduced visibility working environments. Working on mining, oil and gas, or sites with large equipment.

Respiratory Protection

Wear appropriate respiratory protection based on the task being completed. Types of respiratory protection to consider are listed below.

- Disposable respirators. Exposure to dust and particles, welding fumes, nuisance odors, nuisance level acid gas.
- Reusable respirators. Exposure to cleaning, machining, welding, sanding, grinding, etc.

Fall Protection

Utilize fall protection if a task is being completed more than 1.2 m [4 ft] above a solid surface. Types of fall protection to consider are listed below.

- Fall harness and lanyard combinations.
- Safety nets.
- Guardrails.

Fuels

Follow these recommended practices when interacting with equipment that uses different fuel types. For information regarding proper handling of various substances, refer to the manufacturer's safety data sheet.

Diesel Fuel

- Protect eyes.

To buy Cummins Parts and Service Manuals, Training Guides, or Tools go to our website at <https://store.cummins.com>

- Protect skin.
- **Always** test for fuel leaks as instructed.
- Do **not** dilute.
- Avoid sparks, arcing switches and equipment, cigarettes, pilot lights, flames, and other sources of ignition.
- Provide extra ventilation to the work area.
- Do **not** troubleshoot or repair fuel leaks while the engine is running.
- If material is spilled, avoid contact and dispersal with runoff, soil, waterways, drains, and sewers. Absorb with sand, clay, or commercial absorbent. Transfer to containers and neutralize the material. Flush spill area with soap and excess water.
- Report spills effecting water source contamination to local authorities immediately.
- Proper disposal is required. Dispose of in accordance with local and environmental regulations.
- **Always** torque fittings and connections to the required specifications. over or under tightening can damage threads and create leaks.

Gasoline

- Protect eyes.
- Protect skin.
- **Always** be alert for the smell of gas.
- **Always** test for fuel leaks as instructed.
- Do **not** dilute.
- Avoid sparks, arcing switches and equipment, cigarettes, pilot lights, flames, and other sources of ignition.

To buy Cummins Parts and Service Manuals, Training Guides, or Tools go to our website at <https://store.cummins.com>

- Chemical resistant. Exposure to chemicals.
- High visibility. Exposure to reduced visibility working environments. Working on mining, oil and gas, or sites with large equipment.

Respiratory Protection

Wear appropriate respiratory protection based on the task being completed. Types of respiratory protection to consider are listed below.

- Disposable respirators. Exposure to dust and particles, welding fumes, nuisance odors, nuisance level acid gas.
- Reusable respirators. Exposure to cleaning, machining, welding, sanding, grinding, etc.

Fall Protection

Utilize fall protection if a task is being completed more than 1.2 m [4 ft] above a solid surface. Types of fall protection to consider are listed below.

- Fall harness and lanyard combinations.
- Safety nets.
- Guardrails.

Fuels

Follow these recommended practices when interacting with equipment that uses different fuel types. For information regarding proper handling of various substances, refer to the manufacturer's safety data sheet.

Diesel Fuel

- Protect eyes.

To buy Cummins Parts and Service Manuals, Training Guides, or Tools go to our website at <https://store.cummins.com>

- Protect skin.
- **Always** test for fuel leaks as instructed.
- Do **not** dilute.
- Avoid sparks, arcing switches and equipment, cigarettes, pilot lights, flames, and other sources of ignition.
- Provide extra ventilation to the work area.
- Do **not** troubleshoot or repair fuel leaks while the engine is running.
- If material is spilled, avoid contact and dispersal with runoff, soil, waterways, drains, and sewers. Absorb with sand, clay, or commercial absorbent. Transfer to containers and neutralize the material. Flush spill area with soap and excess water.
- Report spills effecting water source contamination to local authorities immediately.
- Proper disposal is required. Dispose of in accordance with local and environmental regulations.
- **Always** torque fittings and connections to the required specifications. over or under tightening can damage threads and create leaks.

Gasoline

- Protect eyes.
- Protect skin.
- **Always** be alert for the smell of gas.
- **Always** test for fuel leaks as instructed.
- Do **not** dilute.
- Avoid sparks, arcing switches and equipment, cigarettes, pilot lights, flames, and other sources of ignition.

To buy Cummins Parts and Service Manuals, Training Guides, or Tools go to our website at <https://store.cummins.com>

- Vapors accumulate near the floor. Check the work floor, sumps, and low lying areas for ignition sources before servicing equipment..
- Provide extra ventilation to the work area.
- Do **not** troubleshoot or repair fuel leaks while the engine is running.
- If material is spilled, avoid contact and dispersal with runoff, soil, waterways, drains, and sewers. Absorb with sand, clay, or commercial absorbent. Transfer to containers and neutralize the material. Flush spill area with soap and excess water.
- Report spills effecting water source contamination to local authorities immediately.
- Proper disposal is required. Dispose of in accordance with local and environmental regulations.
- **Always** torque fittings and connections to the required specifications. over or under tightening can damage threads and create leaks.

Biodiesel

- Protect eyes.
- Protect skin.
- **Always** test for fuel leaks as instructed.
- Do **not** dilute.
- Avoid sparks, arcing switches and equipment, cigarettes, pilot lights, flames, and other sources of ignition.
- Vapors accumulate near the floor. Check the work floor, sumps, and low lying areas for ignition sources before servicing equipment..
- Provide extra ventilation to the work area.
- Do **not** troubleshoot or repair fuel leaks while the engine is running.

To buy Cummins Parts and Service Manuals, Training Guides, or Tools go to our website at <https://store.cummins.com>

QSB4.5 and QSB6.7 Section i - Introduction

General Safety Instructions Page i-17

- If material is spilled, avoid contact and dispersal with runoff, soil, waterways, drains, and sewers. Absorb with sand, clay, or commercial absorbent. Transfer to containers and neutralize the material. Flush spill area with soap and excess water.
- Report spills effecting water source contamination to local authorities immediately.
- Proper disposal is required. Dispose of in accordance with local and environmental regulations.
- **Always** torque fittings and connections to the required specifications. over or under tightening can damage threads and create leaks.

Compressed Natural Gas

- Protect eyes.
- Protect skin.
- **Always** be alert for the smell of gas. Compressed natural gas is typically treated with an odor producing chemical for leak detection. Non-refined sources of natural gas (landfill gas, biogas, coal bed gas, wellhead gas, etc.) can **not always** be detected by smell.
- **Always** test for fuel leaks as instructed. Odorant can fade.
- Upon entering a room or approaching a vehicle where the smell of gas is present, immediately shutoff all engines and ignition sources.
- Natural gas ignites when there is a 5% - 15% mixture in the air. Asphyxiation can occur when concentration reaches 21% or more.
- Do **not** start equipment or nearby equipment until a suspected gas leak is corrected and the area is ventilated.
- Avoid sparks, arcing switches and equipment, cigarettes, pilot lights, flames, and other sources of ignition.
- Work in areas that do **not** share common ventilation with areas containing ignition sources.

To buy Cummins Parts and Service Manuals, Training Guides, or Tools go to our website at <https://store.cummins.com>

- Store and service natural gas fueled equipment in large, well-ventilated areas, or outside.
- Provide extra ventilation to the work area.
- Natural gas accumulates near the ceiling. Check the ceiling of the work area for ignition sources before servicing equipment.
- **Only** disconnect gas lines in a well-ventilated area.
- Do **not** troubleshoot or repair gas leaks while the engine is running.
- Natural gas ignition systems produce high voltage during operation. Do **not** touch ignition wiring or components while the engine is operating. If necessary, use **only** insulated tools.
- Natural gas exhaust systems operate at higher temperatures than similar diesel exhaust systems. Do **not** touch exhaust components. Do **not** route lines or hoses which deteriorate from heat exposure near exhaust components or in the flow path of the exhaust.
- **Always** torque fittings and connections to the required specifications. Over or under tightening can damage threads and create leaks.

Liquefied Natural Gas

- Protect eyes.
- Protect skin.
- **Always** be alert for the smell of gas. Liquefied natural gas may **not** have an odor. Non-refined sources of natural gas (landfill gas, biogas, coal bed gas, wellhead gas, etc.) can **not always** be detected by smell.
- **Always** test for fuel leaks as instructed. Odorant can fade.
- Upon entering a room or approaching a vehicle where the smell of gas is present, immediately shutoff all engines and ignition sources.

To buy Cummins Parts and Service Manuals, Training Guides, or Tools go to our website at <https://store.cummins.com>

- Natural gas ignites when there is a 5% - 15% mixture in the air. Asphyxiation can occur when concentration reaches 21% or more.
- Do **not** start equipment or nearby equipment until a suspected gas leak is corrected and the area is ventilated.
- Avoid sparks, arcing switches and equipment, cigarettes, pilot lights, flames, and other sources of ignition.
- Work in areas that do **not** share common ventilation with areas containing ignition sources.
- Store and service natural gas fueled equipment in large, well-ventilated areas, or outside.
- Provide extra ventilation to the work area.
- Natural gas accumulates near the ceiling. Check the ceiling of the work area for ignition sources before servicing equipment.
- **Only** disconnect gas lines in a well-ventilated area.
- Do **not** troubleshoot or repair gas leaks while the engine is running.
- Natural gas ignition systems produce high voltage during operation. Do **not** touch ignition wiring or components while the engine is operating. If necessary, use **only** insulated tools.
- Natural gas exhaust systems operate at higher temperatures than similar diesel exhaust systems. Do **not** touch exhaust components. Do **not** route lines or hoses which deteriorate from heat exposure near exhaust components or in the flow path of the exhaust.
- Liquefied natural gas is stored in vehicle tanks at extremely cold temperatures. If there is a liquefied natural gas spill, evacuate the area immediately and do not attempt to make contact with the liquid.
- **Always** torque fittings and connections to the required specifications. Over or under tightening can damage threads and create leaks.
- Vapors accumulate near the floor. Check the work floor, sumps, and low lying areas for ignition sources before servicing equipment.

To buy Cummins Parts and Service Manuals, Training Guides, or Tools go to our website at <https://store.cummins.com>

Liquefied Petroleum Gas

- Protect eyes.
- Protect skin.
- **Always** be alert for the smell of gas. Liquefied petroleum gas is typically treated with an odor producing chemical for leak detection.
- **Always** test for fuel leaks as instructed. Odorant can fade.
- Upon entering a room or approaching a vehicle where the smell of gas is present, immediately shutoff all engines and ignition sources.
- Do **not** start equipment or nearby equipment until a suspected gas leak is corrected and the area is ventilated.
- Avoid sparks, arcing switches and equipment, cigarettes, pilot lights, flames, and other sources of ignition.
- Work in areas that do **not** share common ventilation with areas containing ignition sources.
- Store and service natural gas fueled equipment in large, well-ventilated areas, or outside.
- Provide extra ventilation to the work area.
- Liquefied petroleum gas accumulates near the floor. Check the work floor, sumps, and low lying areas for ignition sources before servicing equipment.
- **Only** disconnect gas lines in a well-ventilated area.
- Do **not** troubleshoot or repair gas leaks while the engine is running.
- Liquefied petroleum gas ignition systems produce high voltage during operation. Do **not** touch ignition wiring or components while the engine is operating. If necessary, use **only** insulated tools.

To buy Cummins Parts and Service Manuals, Training Guides, or Tools go to our website at <https://store.cummins.com>

- Liquefied petroleum gas exhaust systems operate at higher temperatures than similar diesel exhaust systems. Do **not** touch exhaust components. Do **not** route lines or hoses which deteriorate from heat exposure near exhaust components or in the flow path of the exhaust.
- Liquefied natural gas is stored in vehicle tanks at extremely cold temperatures. If there is a liquefied natural gas spill, evacuate the area immediately and do not attempt to make contact with the liquid.
- **Always** torque fittings and connections to the required specifications. Over or under tightening can damage threads and create leaks.

Power Generation Applications

Follow these recommended practices when interacting with equipment in generator set applications.

Power generation applications produce high voltage during operation. When servicing a generator set, the following safety precautions **must** be taken.

- Remove any debris from the generator set.
- Keep the floor clean and dry throughout servicing
- Service access doors **must** be secured in the "open" position before working on enclosed generator sets.
- Use insulated or non-conducting tools.
- Prevent accidental or remote starting. Disconnect the starting battery cables. Disconnect the negative (-) terminal first.
- Isolate all auxiliary supplies.
- Switch the generator set control panel "off."
- Place a "Do **Not** Operate" tag on the control panel.

To buy Cummins Parts and Service Manuals, Training Guides, or Tools go to our website at <https://store.cummins.com>

- Lock the generator set circuit breaker in the "Open" position.
- Activate the manual "Emergency Stop" device.
- Do **not** step on the generator set when servicing, entering, or leaving the generator room.

Aftertreatment

Follow these recommended practices when interacting with equipment that utilize aftertreatment systems. For information regarding proper handling of various substances, refer to the manufacturer's safety data sheet.

Diesel Exhaust Fluid

- Avoid breathing vapor or mist.
- Protect eyes. In case of contact with eyes, flush with water for a minimum of 15 minutes.
- Protect skin. In case of contact with skin, wash with soap and water.
- Do **not** ingest. If ingested, contact a physician immediately.

Diesel Particulate Filter

- Protect eyes.
- Protect skin.
- Avoid stirring up exhaust particulate dust.
- Avoid inhalation of exhaust particulate dust. Wear a dust mask. If respiratory irritation or discomfort occurs, leave the dusty area. Utilize breathing assistance or oxygen if necessary.
- Elevated concentrations of metals in the form of dust, soot, and contaminants are contained in these filters. Health regulations may exist for the materials found in these filters such as Zinc, Molybdenum, polynuclear

To buy Cummins Parts and Service Manuals, Training Guides, or Tools go to our website at <https://store.cummins.com>

aromatic hydrocarbons. Potentially toxic materials found in these filters are oxides of calcium, zinc, phosphorous, silicon, sulfur, and iron.

- Proper disposal of the exhaust dust and filter are required. Dispose of in accordance with local and environmental regulations.
- Diesel particulate filter maintenance **must** be completed by appropriately trained personnel.

Selective Catalytic Reduction (SCR) Catalyst

- Protect eyes.
- Protect skin.
- Avoid stirring up exhaust catalyst dust.
- Avoid inhalation of exhaust catalyst dust. Wear a dust mask. If respiratory irritation or discomfort occurs, leave the dusty area. Utilize breathing assistance or oxygen if necessary.
- Do **not** cut open exhaust catalyst assemblies.
- Proper disposal of the exhaust catalyst is required. Dispose of in accordance with local and environmental regulations.

Oxidation Catalysts

Types of Oxidation Catalysts may include, but are not limited to the following.

- Diesel Oxidation Catalyst (DOC)
- 3-way Oxidation Catalyst

When working with oxidation catalysts, perform the following.

- Protect eyes.

- Protect skin.
- Avoid stirring up exhaust catalyst dust.
- Avoid inhalation of exhaust catalyst dust. Wear a dust mask. If respiratory irritation or discomfort occurs, leave the dusty area. Utilize breathing assistance or oxygen if necessary.
- Do **not** cut open exhaust catalyst assemblies.

Common Substances

Follow these recommended practices when interacting with the following substances. For information regarding proper handling of various substances, refer to the manufacturer's safety data sheet.

Coolant

- Coolant is also referred to as antifreeze.
- Protect eyes. In case of contact with eyes, flush with water for a minimum of 15 minutes. Receive medical attention immediately.
- Protect skin. In case of contact with skin, wash with soap and water. Remove contaminated clothing. If injection occurs, it is a medical emergency. Receive medical attention immediately.
- Do **not** ingest. If ingested, drink excess water for dilution and seek medical attention.
- Do **not** pour used antifreeze into containers that have been used to store other chemicals or products, such as oil or gasoline, unless they have been thoroughly cleaned.
- If material is spilled, avoid contact and dispersal with runoff, soil, waterways, drains, and sewers. Provide adequate ventilation to the area. Absorb with sand, clay, or commercial absorbent. Transfer to containers and neutralize the material. Flush spill area with soap and excess water.

To buy Cummins Parts and Service Manuals, Training Guides, or Tools go to our website at <https://store.cummins.com>

- Report spills effecting water source contamination to local authorities immediately.
- Proper disposal is required. Dispose of in accordance with local and environmental regulations.

Liquid Nitrogen

- Work in a well-ventilated area.
- Protect eyes. In case of contact with eyes, flush with water for a minimum of 15 minutes. Receive medical attention immediately.
- Protect skin. In case of contact with skin, receive medical attention immediately.
- Wear protective clothing and gloves that insulate.
- Handle items with tongs or wire hooks.
- Avoid prolonged breathing of liquid nitrogen vapors. Utilize breathing assistance or oxygen if necessary.

Lubricating Oil

See Lubricating Oil in the "Hazardous Substances" step.

Refrigerant

- Protect eyes. In case of contact with eyes, flush with water for a minimum of 15 minutes. In case of frostbite, use lukewarm water, not hot. Seek medical attention if irritation continues.
- Protect skin. Wear leather or insulated gloves. In case of contact with skin, wash with soap and water. Seek medical attention if irritation continues.
- Proper disposal is required. Dispose of in accordance with local and environmental regulations.
- **Only** disconnect liquid refrigerant lines in a well-ventilated area. liquid refrigerant systems **must** be properly emptied and filled using equipment that prevents the release of refrigerant gas into the atmosphere. Federal law requires capturing and recycling refrigerant in the United States of America.

To buy Cummins Parts and Service Manuals, Training Guides, or Tools go to our website at <https://store.cummins.com>

Solvents

- Follow the manufacturer's instructions for safe handling practices.
- Follow the manufacturer's recommendations for use.
- Some solvents are flammable and toxic..
- Protect eyes. In case of contact with eyes, follow manufacturer's recommendations.
- Protect skin. In case of contact with skin, follow manufacturer's recommendations.
- Dispose of in accordance with manufacturer's recommendations.

Starting Aids (Starting Fluid)

- Do **not** use starting fluid if the intake air heater option is used.
- Do **not** use volatile cold starting aids in underground mine or tunnel operations. The local United States Bureau of Mines inspector can provide more information and instructions.
- Avoid sparks, arcing switches and equipment, cigarettes, pilot lights, flames, and other sources of ignition.
- Work in a well-ventilated area.
- Avoid inhalation.

Hazardous Substances

Hazardous substances are known to some state and federal agencies to be carcinogenic and cause reproductive harm. Hazardous substances that may be encountered during service events are listed below.

Diesel Engine Exhaust

- Protect eyes. In case of contact with eyes, flush with water for a minimum of 15 minutes.

To buy Cummins Parts and Service Manuals, Training Guides, or Tools go to our website at <https://store.cummins.com>

- Protect skin. In case of contact with skin, wash with soap and water.
- Avoid inhalation.

Lubricating Oil

- Protect eyes. In case of contact with eyes, flush with water for a minimum of 15 minutes.
- Protect skin. In case of contact with skin, wash with soap and water.
- Do **not** ingest. If ingested, contact a physician immediately..
- Proper disposal is required. Dispose of in accordance with local and environmental regulations.
- Do **not** allow water droplets to enter a container of hot oil. A violent reaction can result.

Mercury

- Protect eyes. In case of contact with eyes, flush with water for a minimum of 15 minutes.
- Protect skin. In case of contact with skin, wash with soap and water.
- Do **not** ingest. If ingested, contact a physician immediately.
- Proper disposal is required. Dispose of in accordance with local and environmental regulations.

Vanadium Pentoxide

- Can be found in some selective catalytic reduction (SCR) catalysts.
- Protect eyes. In case of contact with eyes, flush with water for a minimum of 15 minutes.
- Protect skin. In case of contact with skin, wash with soap and water.
- Do **not** ingest. If ingested, contact a physician immediately.
- Avoid inhalation of vapors or airborne particles.

- Proper disposal is required. Dispose of in accordance with local and environmental regulations.

Electrical Components

Follow these recommended practices when interacting with electrical components.

Batteries

- Protect eyes. Wear safety glasses or goggles. In case of battery acid contact with eyes, flush with water for a minimum of 15 minutes. Receive medical attention immediately.
- Protect skin. Wear rubber gloves and a chemical apron. In case of battery acid contact with skin or clothing, rinse with water for several minutes. Avoid spreading the acid. Receive medical attention immediately.
- Do **not** open the battery caps with your face over or near the battery.
- Remove rings, watches, long jewelry, or metallic items when working with or near batteries.
- Ventilate the battery compartment before servicing the battery.
- Work in a well-ventilated area.
- Avoid sparks, arcing switches and equipment, cigarettes, pilot lights, flames, and other sources of ignition.
- Use insulated or non-conducting tools.
- Neutralize static buildup by contacting the nearest ground surface before working on a battery.
- Do **not** lift batteries by the posts.
- Do **not** touch both battery terminals with your bare hands at the same time.
- Disconnect the negative (-) battery cable first.
- Attach the negative (-) battery cable last.

To buy Cummins Parts and Service Manuals, Training Guides, or Tools go to our website at <https://store.cummins.com>

Common Hazards

Follow these recommended practices when interacting with equipment as the following hazards may exist.

High Temperature Area

Be alert for high temperature areas which may cause severe burns. High temperature areas may be encountered in the following situations.

- On products that have just been turned off.
- On or around exhaust related components (turbocharger, aftertreatment systems, etc).
- In exhaust gas flow paths.
- Contacting hot fluid lines, tubes, or compartments.

Recommended Practices:

- Allow components to cool before servicing. Verify the temperature of the component. Utilize an infrared gun, temperature sensor, temperature gauge, or other reliable method to determine component temperature. Take appropriate precautions before starting work.
- Protect eyes.
- Protect skin. Wear insulated gloves.
- Ensure surrounding items do not come in contact with hot components or exhaust. Contact may ignite or melt those materials.

Heavy Objects

Be alert when working with heavy objects.

- Do **not** lift components that weigh 23 kg [50 lb] or more. Use mechanical help or seek assistance.

To buy Cummins Parts and Service Manuals, Training Guides, or Tools go to our website at <https://store.cummins.com>

- Use mechanical help to move items whenever possible. Make sure the load is securely fastened to the equipment.
- Make sure lifting devices, like chains, hooks, slings, etc., are in good condition and are rated for the correct capacity before use.
- Make sure lifting devices are positioned correctly before use.
- Use a spreader bar when necessary.
- If the item can be lifted manually, squat to lift and lower the item. Do **not** bend at the waist.
- Maintain balance when lifting items by keeping feet apart or staggered if possible.
- If the item must be carried, make sure the path is clear when carrying the item to, and placing the item in, the desired location.

Pressurized Areas

Be alert for pressurized areas. Pressurized areas may be encountered in the following situations.

- Air, Oil, Fuel, and Cooling systems.
- When disconnecting or removing lines, fittings, or related items.
- When disconnecting a device from a pressurized system.
- When removing or loosening caps on tanks or pressurized systems.

Injuries that may result when interacting with pressurized areas are listed below.

- High pressure spray can penetrate the skin. Serious injury or death may result.
- Hot fluid spray can cause burns. See "High Temperature Area."

Recommended Practices:

To buy Cummins Parts and Service Manuals, Training Guides, or Tools go to our website at <https://store.cummins.com>

- Protect skin. Wear impervious gloves. If skin penetration from high pressure spray occurs, it is a medical emergency. Receive medical attention immediately.
- Check for pressure leaks as instructed. **Never** check for pressure leaks with your hand.
- Allow product to cool before accessing pressurized areas.
- Relieve system pressure as instructed.
- Slowly loosen fill caps to relieve pressure before servicing.

Job Safety Assessment

Completing a Job Safety Assessment (JSA) prior to performing work helps identify job safety hazards and prevent incidents. Use the guidelines below to assess if a situation is safe or at risk prior to performing designated work. If determined to be at risk, take appropriate precautions to prepare for, or eliminate, the hazard. If the risks are uncontrollable, consult a knowledgeable resource to find a safe practice solution. A knowledgeable resource may include, but is not limited to, one of the following:

- Site supervisor
- Customer
- Work supervisor

Always check with the site where work is being performed to determine if safety assessment documentation is required.

Work Practices

Job Safety Analysis.

- Assess the job to identify safety hazards that may occur during the repair event.

To buy Cummins Parts and Service Manuals, Training Guides, or Tools go to our website at <https://store.cummins.com>

Ascending or Descending

- Maintain 3 points of contact when using steps, ladders, or entering and exiting a unit.

Communication

- When working with others, make sure you understand what each other is doing to safely complete the task.

Eyes On Hands and Work.

- Confirm if you will be able to maintain an unobstructed view of your hands at all times while performing the task.

Eyes On Path

- Watch for hazards in your path to avoid trip or slip hazards. Examples are pits, platform edges, etc.

Line Of Fire

- Position yourself so that you avoid striking against, or being struck by, anything that can swing, fall, or roll.

Pinch Point

- Prevent exposure of all parts of your body to a nip hazard or pinch point.

Rushing

- Take adequate time to safely perform the job. Do **not** rush or take short cuts.

Follow Procedures

- Utilize QuickServe® Online or other standard procedures when available.
- Make sure the procedures are correct and safe.

Ergonomics

Back-Bending and Twisting

To buy Cummins Parts and Service Manuals, Training Guides, or Tools go to our website at <https://store.cummins.com>

- Avoid bending forward more than 45 at your waist.
- Avoid working with your back twisted with loads over 23 kg [50 lb].

Knee

- Avoid bending your knee more than 90.
- Avoid kneeling for more than 4 hours per day.

Lifting and Lowering

- Squat to pick up parts.
- Keep loads close to the body when lifting or carrying.
- Use a team lift or a lifting device if the object is more than 23 kg [50 lb].

Pulling or Pushing

- Pull with your arms.
- Push with your legs.
- Avoid exerting more force than necessary.
- Avoid moving heavy load(s) too quickly.

Tools and Equipment

Selection

- Select the correct tool or equipment to perform the task.

Condition

- Confirm the tool or equipment is free of defects before use.

- Confirm that safety devices are in place before use.

Use

- Use the tool or equipment as directed.
- Follow the manufacturer's instructions.

Personal Protective Equipment (PPE)

Eye, Face, and Head Protection

- Confirm the eye, face, or head protection you plan to use are adequate for performing the task at hand.

Foot Protection

- Confirm the foot protection you plan to use is adequate for performing the task at hand in the current environment.

Fall Protection

- Fall protection should be used if you are working more than 1.2 m [4 ft] above the floor.
- Use fall protection if you have been properly trained to do so. If you are not trained to use fall protection, allow someone who has received proper training to perform the task.

Hand Protection

- Avoid exposing hands to cuts or burns while completing the task.
- Confirm the proper glove type is being used for the task at hand. Examples are cut-resistant, chemical-resistant, electric shock-resistant, electric arc flash, welding, etc.

Hearing Protection

- Hearing protection should be worn when required or recommended.

Body Protection

To buy Cummins Parts and Service Manuals, Training Guides, or Tools go to our website at <https://store.cummins.com>

- Body parts should be protected from work hazards.
- Avoid contact with sharp edges, hot surfaces, etc.

Work Procedures

Training

- Confirm if you have received task and safety training for the job being performed.

Working Alone

- Avoid working alone.
- Avoid working where you are **not** able to be seen or heard by another person.
- If you **must** work alone, notify others of your location and schedule check-in times.

Lockout and Tagout

- Lock out or tag out energy sources before work. Examples are electrical, mechanical, hydraulic, and pneumatic.

Barricades and Warnings

- Mark overhead work areas with barricade tape or signs.
- Mark open floor hazards with barricade tape, signs, or cones.

Confined Space

- Confirm if a confined space entry permit is required.
- If required, confirm the permit is posted, signed, and dated correctly.

Hot Work

- Confirm a functional fire extinguisher is readily available.

- Maintain separation between ignition sources and fuel sources.

Place Wheel Chocks

- Place wheel chocks at either the front or back tire of the unit prior to starting the task.

Spotter

- Use a spotter when moving a customer's unit.
- Confirm the driver can see and hear the spotter when moving.

Housekeeping (The 5 S's - Scrap or Segregate, Set to Order, Spotless, Standardize, and Sustain)

- Remove parts, extension cords, air hoses, and liquids from the work area that may cause trip, slip, or fall hazards.

To buy Cummins Parts and Service Manuals, Training Guides, or Tools go to our website at <https://store.cummins.com>

Acronyms and Abbreviations

General Information

The following list contains some of the acronyms and abbreviations used in this manual.

ANSI	American National Standards Institute
API	American Petroleum Institute
ASTM	American Society of Testing and Materials
ATDC	After Top Dead Center
bhp	Brake Horsepower
BTU	British Thermal Unit
BTDC	Before Top Dead Center
°C	Celsius
CAN	Controller Area Network
CARB	California Air Resources Board
CCA	Cold Cranking Amperes
CCV	Closed Crankcase Ventilation
CES	Cummins Engineering Standard
CIB	Customer Interface Box
C.I.D.	Cubic Inch Displacement
CNG	Compressed Natural Gas
CO	Carbon Monoxide

To buy Cummins Parts and Service Manuals, Training Guides, or Tools go to our website at <https://store.cummins.com>

CPL	Control Parts List
cSt	Centistokes
DEF	Diesel Exhaust Fluid
DOC	Diesel Oxidation Catalyst
DPF	Diesel Particulate Filter
ECM	Engine Control Module
EFC	Electronic Fuel Control
EGR	Exhaust Gas Recirculation
EPA	Environmental Protection Agency
ESN	Engine Serial Number
°F	Fahrenheit
ft-lb	Foot-Pound Force
FMI	Failure Mode Identifier
GVW	Gross Vehicle Weight
Hg	Mercury
hp	Horsepower
H ₂ O	Water
inHg	Inches of Mercury
in H ₂ O	Inches of Water
ICM	Ignition Control Module
IEC	International Electrotechnical Commission

To buy Cummins Parts and Service Manuals, Training Guides, or Tools go to our website at <https://store.cummins.com>

JSA	Job Safety Assessment
km/l	Kilometers per Liter
kPa	Kilopascal
LNG	Liquefied Natural Gas
LPG	Liquefied Petroleum Gas
LTA	Low Temperature Aftercooler
MCRS	Modular Common Rail System
MIL	Malfunction Indicator Lamp
MPa	Megapascal
mph	Miles Per Hour
mpq	Miles Per Quart
N•m	Newton-meter
NOx	Nitrogen Oxides
NG	Natural Gas
O ₂	Oxygen
OAT	Organic Acid Technology
OBD	On-Board Diagnostics
OEM	Original Equipment Manufacturer
OSHA	Occupational Safety and Health Administration
PID	Parameter Identification Descriptions
PPE	Personal Protective Equipment

To buy Cummins Parts and Service Manuals, Training Guides, or Tools go to our website at <https://store.cummins.com>

ppm	Parts Per Million
psi	Pounds Per Square Inch
PTO	Power Takeoff
QSOL	QuickServe® Online
REPTO	Rear Engine Power Takeoff
RGT	Rear Gear Train
rpm	Revolutions Per Minute
SAE	Society of Automotive Engineers
SCA	Supplemental Coolant Additive
SCR	Selective Catalytic Reduction
STC	Step Timing Control
SID	Subsystem Identification Descriptions
TDC	Top Dead Center
TSB	Technical Service Bulletin
ULSD	Ultra Low Sulfur Diesel
VDC	Volts of Direct Current
VGT	Variable Geometry Turbocharger
VS	Variable Speed
VSS	Vehicle Speed Sensor

To buy Cummins Parts and Service Manuals, Training Guides, or Tools go to our website at <https://store.cummins.com>

Section E - Engine and System Identification

Section Contents

	Page
Engine Identification	E-1
Air Compressor.....	E-7
Cummins® Engine Nomenclature.....	E-5
Engine Control Module Dataplate.....	E-6
Engine Dataplate.....	E-1
Fuel Injection Pump Dataplate.....	E-5

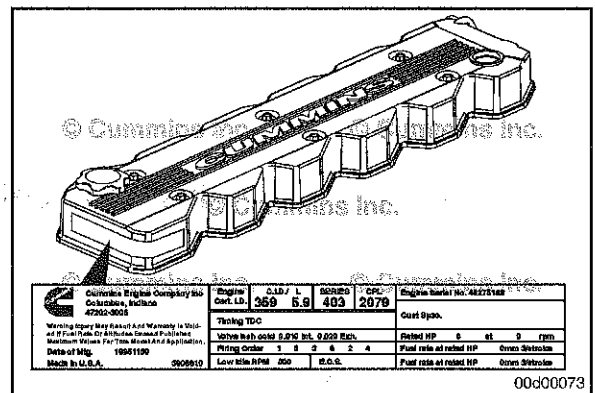
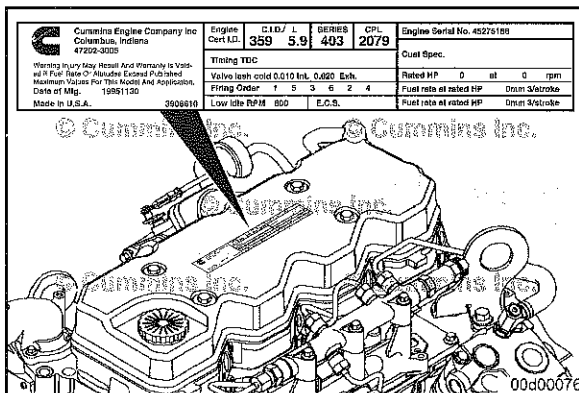
This Page Left Intentionally Blank

QSB4.5 and QSB6.7
Section E - Engine and System Identification

Engine Identification
Page E-1

Engine Identification

Engine Dataplate



The engine dataplate provides important information about the engine. The engine serial number (ESN) and control part list (CPL) provide information for service and for ordering parts. The engine dataplate **must not** be changed unless approved by Cummins Inc.

Have the following engine data available when communicating with a Cummins® Authorized Repair Location. The information on the dataplate is mandatory when sourcing service parts.

NOTE: The engines covered by this manual are produced worldwide. The dataplates used on engines may differ in appearance and location of information. The following illustrations show examples of common dataplates used and the information contained on the dataplate.

MANUFACTURED BY CUMMINS INC. Assembled in the USA © 3997607	Engine No.	Ref. No.	MODEL	Fuel Rate at Adv. HP	Mm ³ Stroke	CPL
	Idle Speed (rpm)	Advertised HP	at rpm	Family	FEL	EPA
Date of Mfg: WARNING: injury may result and warranty is voided if fuel rate, rpm or altitudes exceed published maximum values for this model and application.	Firing Order	Timing: T.D.C. ELECTRONIC	Catalyst No.	NOx/PM/HC		
	Valve lash cold	int. Exh.	C.I. D./L /	E. C. S.	PM	
IMPORTANT ENGINE INFORMATION: This engine is exempt from the prohibitions of section 203 (a) (1) (3) & (4) of the Clean Air Act as amended. See exemption label information for exemption no. and effective date.						

00d00269

To buy Cummins Parts and Service Manuals, Training Guides, or Tools go to our website at <https://store.cummins.com>

QSB4.5 and QSB6.7
Section E - Engine and System Identification

Engine Identification
Page E-3

- 1 ESN
- 2 Engine model information
- 3 CPL
- 4 Valve lash (overhead) setting
- 5 Horsepower and rpm rating.

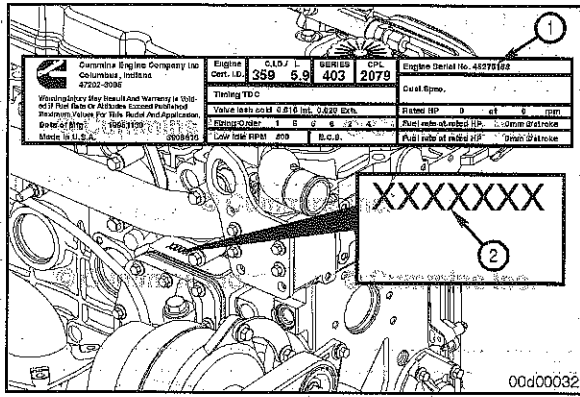
MADE IN GREAT BRITAIN BY CUMMINS INC. www.cummins.com	24 031408 0.94
Displacement 4.9 Litres Gross Power 184 KW @ 2500rpm Valve lash - [cold] Int. 254 mm, Exh. 508 mm Low idle speed CE184C	E.C. Type Approval Numbers e11*72/245*95/54*1413*00 (ESA) e11*88/77*200/127A*1705*05 Model: ISBE250 30
Engine Serial No. 21831663 Date of Mfg 12-01-05 Customer Spec AENB068 DAF ID CE184C	Warning: Injury May Result And Warranty Is Voided If Fuel Rate R M Or Altitudes Exceed Published Maximum Values For This Model And Application 3286647

00d00271

- 1 ESN
- 2 Engine model information
- 3 Horsepower and rpm rating
- 4 Valve lash (overhead) setting.

To buy Cummins Parts and Service Manuals, Training Guides, or Tools go to our website at <https://store.cummins.com>

NOTE: Depending on the manufacturing plant, calibration data may also be found on the engine dataplate.



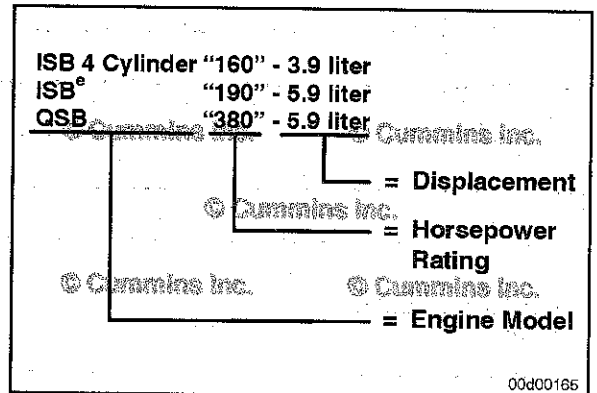
If the engine dataplate (1) is **not** readable, the ESN (2) can be identified. The ESN location varies by engine plant. Check the engine block on top of the lubricating oil cooler housing. The ESN could also be located at the front face of the engine block. Additional engine information is available by reading the ECM dataplate.

To buy Cummins Parts and Service Manuals, Training Guides, or Tools go to our website at <https://store.cummins.com>

**QSB4.5 and QSB6.7
Section E - Engine and System Identification**

Cummins® Engine Nomenclature

The Cummins® engine nomenclature provides the data shown in the illustration.

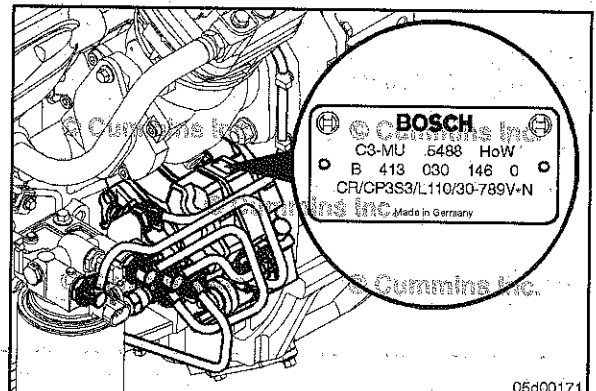


Fuel Injection Pump Dataplate

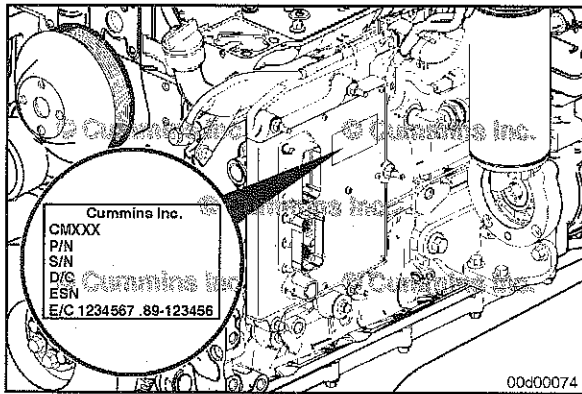
The Bosch™ fuel injection pump dataplate is located on the fuel pump.

The dataplate contains the following information to assist in servicing or replacement:

- Pump serial number
- Cummins® part number
- Factory code
- Bosch™ part number
- Date code.



To buy Cummins Parts and Service Manuals, Training Guides, or Tools go to our website at <https://store.cummins.com>



Engine Control Module Dataplate

The ECM dataplate shows information about the ECM and how the ECM was programmed. The dataplate is located on the ECM.

The following information is available on the ECM dataplate:

- ECM part number (PN)
- ECM serial number (SN)
- ECM date code (DC)
- Engine serial number (ESN)
- ECM code: Identifies the software in the ECM.

NOTE: Have the ECM code for the engine available when communicating with a Cummins® Authorized Repair Location.

NOTE: The presence of an ECM dataplate depends on the manufacturing plant and the date the engine was manufactured. If an ECM dataplate was **not** installed by the manufacturing plant, calibration data can be found on the engine dataplate.

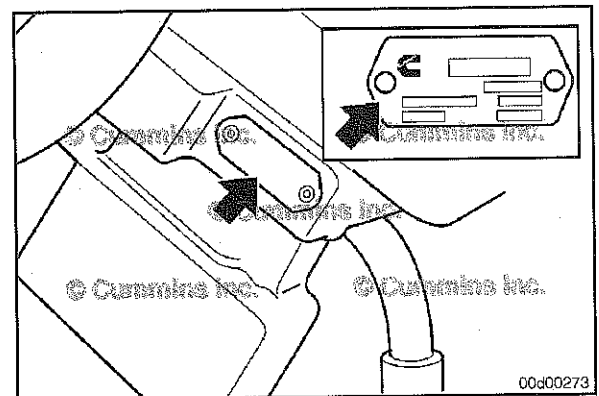
To buy Cummins Parts and Service Manuals, Training Guides, or Tools go to our website at <https://store.cummins.com>

Air Compressor

NOTE: Not all engines are equipped with an air compressor.

The Cummins® branded air compressor dataplate, identified by the Cummins Inc. logo, is typically located on the side of the air compressor. The dataplate contains the following information to assist in servicing or replacement:

- Cummins® part number
- Serial number
- Date code.



This Page Left Intentionally Blank

- QSB4.5 and QSB6.7
- Section 1 - Operating Instructions

Operating Instructions - Overview
Page 1-1

Operating Instructions - Overview

General Information

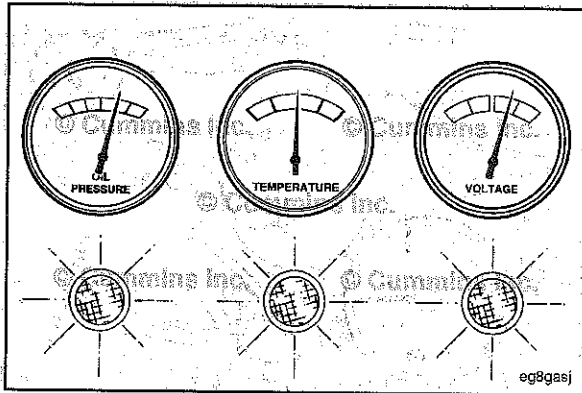


Correct care of your engine will result in longer life, better performance, and more economical operation.

Follow the daily maintenance checks listed in Maintenance Guidelines (Section 2).

The new Cummins® engine associated with this manual does **not** require a "break-in" procedure. This section of the manual provides all of the necessary information required for proper engine operation.

U.S. legislation requires that stationary compression ignition internal combustion engines designated for emergency use are limited to emergency operations and required maintenance and testing.



Check the oil pressure indicators, temperature indicators, warning lights, and other gauges daily to make sure they are operational.

Check the oil pressure, coolant temperature, and other engine parameters daily via the OEM front panel to make sure they are operational. Check the panel regularly for any alarm messages. Take appropriate action to rectify the alarm condition or contact your nearest Authorized Cummins® Distributor.

To buy Cummins Parts and Service Manuals, Training Guides, or Tools go to our website at <https://store.cummins.com>

QSB4.5 and QSB6.7
Section 1 - Operating Instructions

Operating Instructions - Overview
Page 1-3

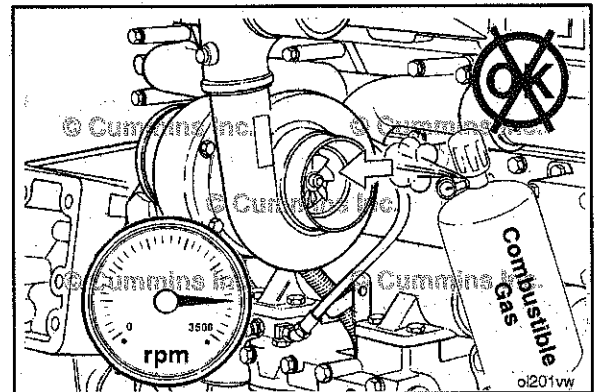
▲ WARNING ▲

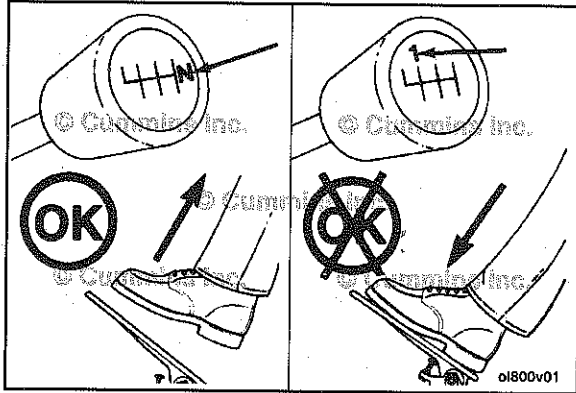
Do not operate a diesel engine where there are or can be COMBUSTIBLE vapors. These vapors can be sucked through the air intake system and cause engine acceleration and over speeding that can result in a fire, an explosion, and extensive property damage. Numerous safety devices are available, such as air intake shutoff devices, to minimize the risk of over speeding where an engine, due to its application, is operating in a combustible environment, such as due to a fuel spill or gas leak. Remember, Cummins Inc. has no way of knowing the use you have for your engine. The equipment owner and operator ARE responsible for safe operation in a hostile environment. Consult A Cummins® Authorized Repair Location for further information.

▲ CAUTION ▲

Do not expose the engine to corrosive chemicals. Corrosive chemicals can damage the engine.

Cummins recommends the installation of an air intake shutoff device or a similar safety device to minimize the risk of overspeeding when an engine is operating in a combustible environment, such as due to a fuel spill or gas leak.





Normal Starting Procedure

General Information

▲WARNING▲

Do not depress the accelerator pedal or move the accelerator lever from the idle position while cranking the engine. This can result in engine overspeed and severe damage to the engine.

▲CAUTION▲

To prevent damage to the starting motor, do not engage the starting motor for more than 30 seconds. Wait 2 minutes between each attempt to start (electrical starting motors only).

NOTE: Engines equipped with air starting motors require a minimum of 480 kPa [70 psi].

- Disengage the driven unit, or if equipped, put the transmission in neutral.
- With the accelerator pedal or lever in the idle position, turn the key switch to the ON position, and wait for the WAIT-TO-START lamp to go out; then, turn the key to the START position.
- If the engine does not start after three attempts, check the fuel supply system. Absence of blue or white exhaust smoke during cranking indicates no fuel is being delivered.

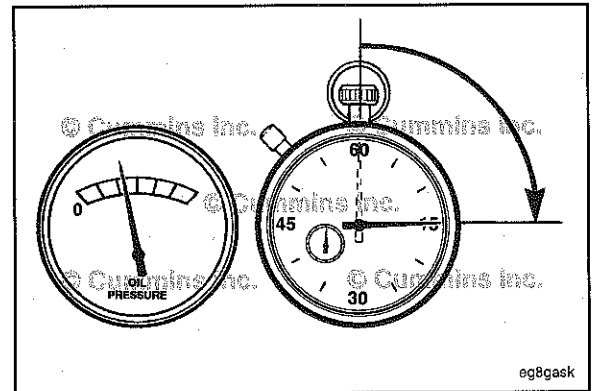
To buy Cummins Parts and Service Manuals, Training Guides, or Tools go to our website at <https://store.cummins.com>

QSB4.5 and QSB6.7 Section 1 - Operating Instructions

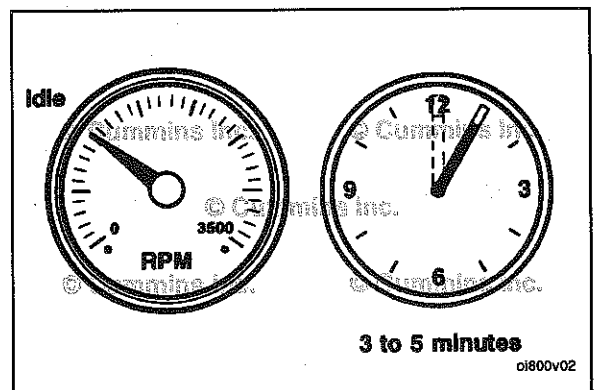
Normal Starting Procedure Page 1-5

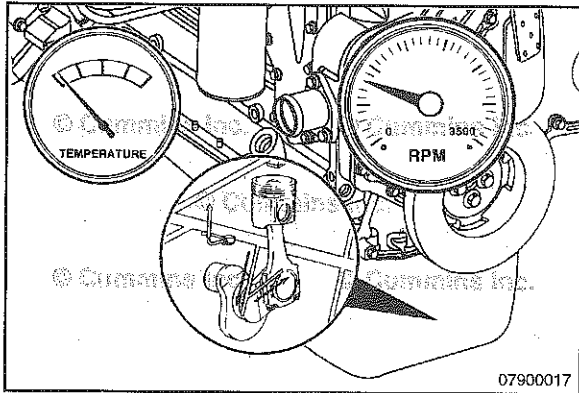
▲CAUTION▲

The engine must have adequate oil pressure within 15 seconds after starting. If the WARNING lamp indicating low oil pressure has not gone out or there is no oil pressure indicated on a gauge within 15 seconds, shut off the engine immediately to avoid engine damage. The low oil pressure troubleshooting procedure is located in Troubleshooting Symptoms (Section TS).

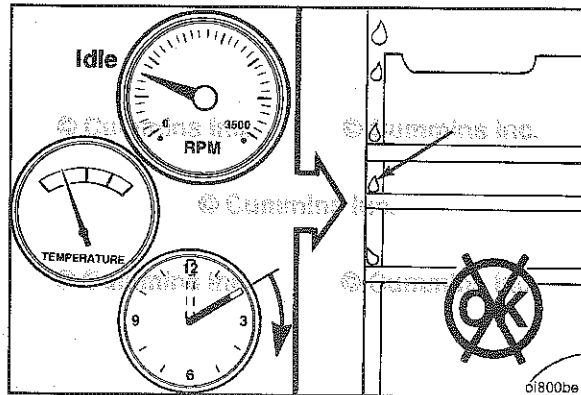


Idle the engine 3 to 5 minutes before operating with a load.





After starting a cold engine, increase the engine speed (rpm) slowly to provide adequate lubrication to the bearings and to allow the oil pressure to stabilize.



⚠ CAUTION ⚠

Do not operate engine at low idle for long periods with engine coolant temperature below the minimum specification in Maintenance Specifications (Section V). This can result in the following:

- Fuel Dilution of the lubricating oil
- Carbon build up in the cylinder
- Cylinder head valve sticking
- Reduced performance.

To buy Cummins Parts and Service Manuals, Training Guides, or Tools go to our website at <https://store.cummins.com>

Jump Starting

⚠ WARNING ⚠

Batteries can emit explosive gases. To avoid personal injury, always ventilate the compartment before servicing the batteries. To avoid arcing, remove the negative (-) battery cable first and attach the negative(-) battery cable last.

⚠ CAUTION ⚠

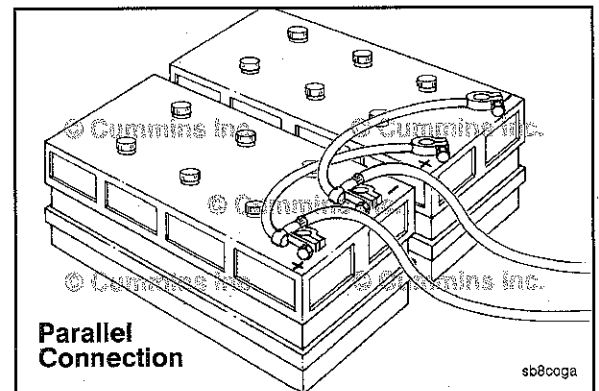
When using jumper cables to start the engine, make sure to connect the cables in parallel: Positive (+) to positive (+) and negative(-) to negative (-). When using an external electrical source to start the engine, turn the disconnect switch to the OFF position. Remove the key before attaching the jumper cables.

⚠ CAUTION ⚠

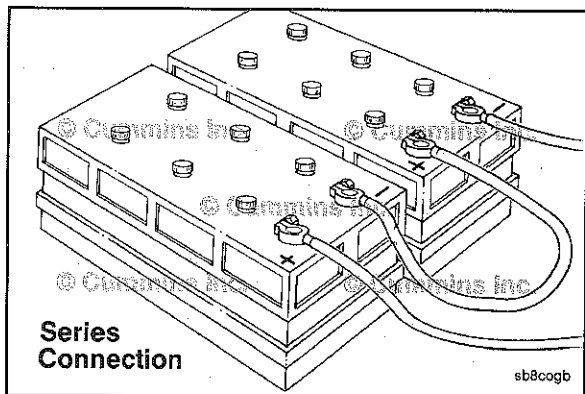
To avoid damage to engine parts, do not connect jumper starting or battery charging cable to any fuel system or electronic component.

This illustration shows a typical parallel battery connection. This arrangement doubles the cranking amperage.

NOTE: Always reference the relevant OEM literature for jump starting procedures. Failure to follow correct procedures can result in damage to the ECM and other electrical equipment.



To buy Cummins Parts and Service Manuals, Training Guides, or Tools go to our website at <https://store.cummins.com>



This illustration shows a typical series battery connection. This arrangement, positive (+) to negative (-), doubles the voltage.

NOTE: Always reference the relevant OEM literature for jump starting procedures. Failure to follow correct procedures can result in damage to the ECM and other electrical equipment.

Cold Weather Starting

General Information

Follow the normal starting procedure in this section. If equipped with an intake air heater, the WAIT-TO-START lamp will stay on longer.

See the equipment manufacturer service information for any additional cold weather starting procedures.

Extreme cold conditions can cause oil pressure delays when using 15W-40 viscosity grade engine lubricating oil. For extreme cold conditions, the use of a different engine lubricating oil viscosity is recommended. Reference Procedure 018-003 in Section V in the appropriate Operation and Maintenance Manual.

To buy Cummins Parts and Service Manuals, Training Guides, or Tools go to our website at <https://store.cummins.com>

QSB4.5 and QSB6.7
Section 1 - Operating Instructions

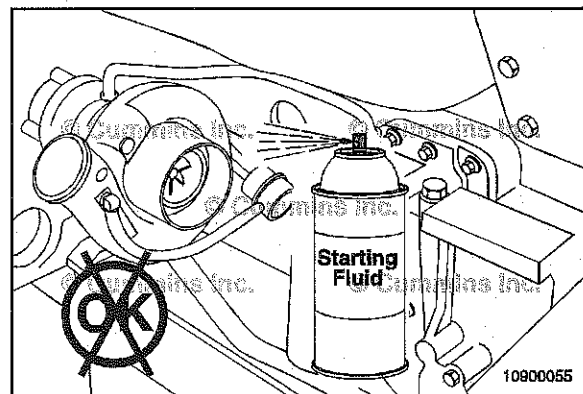
Starting Procedure After Extended Shutdown or Oil Change [...]
Page 1-9

Using Starting Aids

▲ WARNING ▲

Do not use starting fluids with this engine. This engine is equipped with an intake air heater: use of starting fluid can cause an explosion, fire, personal injury, severe damage to the engine, and property damage.

Cold weather starting aids are available for this engine. Contact a Cummins® Authorized Repair Location for more information.

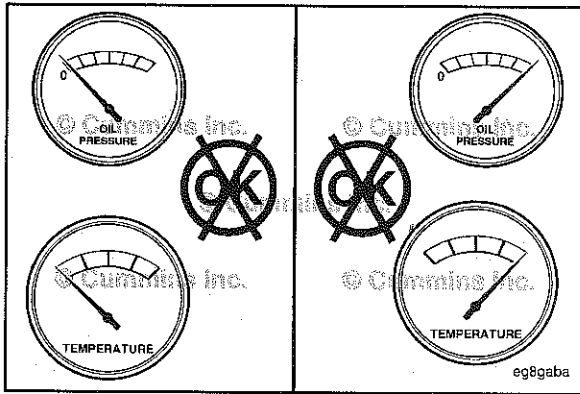


Starting Procedure After Extended Shutdown or Oil Change

General Information

Follow the Normal Starting Procedure in this section. The engine will not start until the minimum cranking oil pressure is detected by the ECM. It can take more cranking time to start the engine after an extended shut down or oil change.

To buy Cummins Parts and Service Manuals, Training Guides, or Tools go to our website at <https://store.cummins.com>



Operating the Engine

Normal

If equipped, monitor the oil pressure and coolant temperature gauges frequently. Refer to Lubricating Oil System specifications and Cooling System specifications, in Maintenance Specifications (Section V) for recommended operating pressures and temperatures. Shut off the engine if any pressure or temperature does **not** meet the specifications.

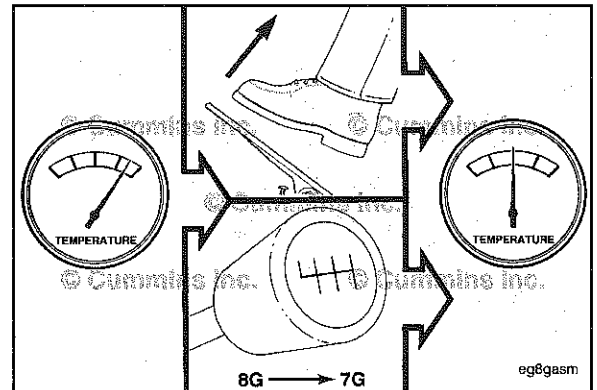
Continuous operation with engine coolant temperature above or below the engine coolant temperature specifications listed in Maintenance Specifications (Section V) can damage the engine.

To buy Cummins Parts and Service Manuals, Training Guides, or Tools go to our website at <https://store.cummins.com>

QSB4.5 and QSB6.7 Section 1 - Operating Instructions

Operating the Engine Page 1-11

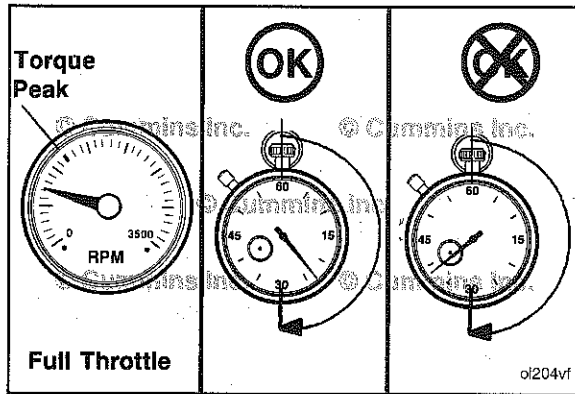
If an overheating condition starts to occur, reduce the power output of the engine by releasing the accelerator pedal or lever or shifting the transmission to a lower gear, or both, until the temperature returns to the normal operating range. If the engine temperature does **not** return to normal, shut off the engine, and refer to Troubleshooting Symptoms (Section TS), or contact a Cummins® Authorized Repair Location.



Winterfronts and Shutters

Winterfronts and shutters can be used on a vehicle or equipment to reduce air flow through the radiator core into the engine compartment. This can reduce the time required to warm the engine and help maintain the engine coolant temperature. The engine coolant temperature specifications are in the Maintenance Specification (Section V).

To buy Cummins Parts and Service Manuals, Training Guides, or Tools go to our website at <https://store.cummins.com>



Engine Operating Range General Information

⚠ CAUTION ⚠

Do not operate the engine at full throttle below peak torque rpm (refer to engine dataplate for peak torque rpm) for more than 30 seconds. Operating the engine at full throttle below peak torque will shorten engine life to overhaul, can cause serious engine damage, and is considered engine abuse.

⚠ CAUTION ⚠

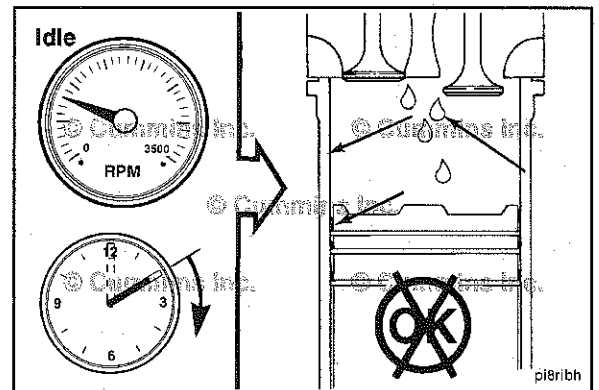
Do not operate the engine beyond the maximum engine speed. Operating the engine beyond the maximum engine speed can cause severe engine damage. Use proper operating techniques for the vehicle, vessel, or equipment to prevent engine overspeed. The maximum engine speed specification is listed in Maintenance Specifications (Section V).

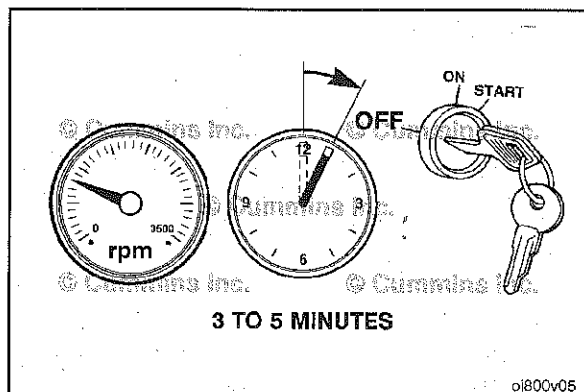
Cummins® engines are designed to operate successfully at full throttle under transient conditions down to peak torque engine speed. This is consistent with recommended operating practices.

To buy Cummins Parts and Service Manuals, Training Guides, or Tools go to our website at <https://store.cummins.com>

⚠ CAUTION ⚠

Do not idle the engine for excessively long periods. Long periods of idling, more than 10 minutes, can cause poor engine performance.





Engine Shutdown

General Information

⚠ CAUTION ⚠

Failure to follow the correct shutdown procedure may result in damage to the turbocharger, if equipped, and shorten the turbocharger life.

Allow the engine to idle 3 to 5 minutes before shutting the engine off after a full-load operation. This allows adequate cool down of pistons, cylinders, bearings, and turbocharger, if equipped.

NOTE: For engines equipped with an electronic control module (ECM) ensure the keyswitch is turned off for a minimum of 100 seconds prior to disconnecting the continuous (unswitched) battery power supply. If the unswitched battery power supply is disconnected in less than 100 seconds after the keyswitch is turned off active fault codes and incorrect ECM information can occur.

Turn the ignition switch to the OFF position. If the engine does **not** shut down, contact a Cummins® authorized repair location.

To buy Cummins Parts and Service Manuals, Training Guides, or Tools go to our website at <https://store.cummins.com>

Electromagnetic Interference (EMI)

General Information

Some applications utilize accessories such as (CB radios, mobile transmitters, etc.) if not installed and used correctly the radio frequency energy generated by these accessories can cause electromagnetic interference (EMI) conditions to exist between the accessory and the Cummins electronically controlled systems. Cummins is **not** liable for any performance problems with either the electronically controlled systems or the accessory due to EMI. EMI is **not** considered by Cummins to be a system failure and therefore is **not** warrantable.

System EMI Susceptibility

Your Cummins product has been designed and tested for minimum sensitivity to incoming electromagnetic energy. Testing has shown that there is no performance degradation at relatively high energy levels; however, if very high energy levels are encountered, then some noncritical diagnostic fault code logging can occur. The electronically controlled systems EMI susceptibility level will protect your systems from most, if **not** all, electromagnetic energy-emitting devices that meet the legal requirements.

System EMI Radiation Levels

Your Cummins product has been designed to emit minimum electromagnetic energy. Electronic components are required to pass various Cummins and industry EMI specifications. Testing has shown that when the systems are properly installed, they will not interfere with onboard communication equipment or with the vehicle's, equipment's, or vessel's ability to meet any applicable EMI standards and regulated specifications.

If an interference condition is observed, follow the suggestions below to reduce the amount of interference:

- 1 Locate the transmitting antenna as far away from the electronically controlled systems and as high as possible.
- 2 Locate the transmitting antenna as far away as possible from all metal obstructions (e.g., exhaust stacks)

To buy Cummins Parts and Service Manuals, Training Guides, or Tools go to our website at <https://store.cummins.com>

- 3 Consult a representative of the accessory supplier in your area to:
 - Accurately calibrate the device for proper frequency, power output, and sensitivity (both base and remote site devices **must** be properly calibrated)
 - Obtain antenna reflective energy data measurements to determine the optimum antenna location
 - Obtain optimum antenna type and mounting arrangement for your application
 - Make sure your accessory equipment model is built for maximum filtering to reject incoming electromagnetic noise.

To buy Cummins Parts and Service Manuals, Training Guides, or Tools go to our website at <https://store.cummins.com>

Section 2 - Maintenance Guidelines

Section Contents

	Page
Maintenance Guidelines - Overview	2-1
General Information.....	2-1
Maintenance Record Form	2-6
Maintenance Data.....	2-6
Maintenance Schedule	2-2
General Information.....	2-2
Oil Drain Intervals.....	2-4

This Page Left Intentionally Blank

Maintenance Guidelines - Overview

General Information

Cummins Inc. recommends that the system be maintained according to the Maintenance Schedule in this section.

If the system is operating in ambient temperatures below -18°C [0°F] or above 38°C [100°F], perform maintenance at shorter intervals. Shorter maintenance intervals are also required if the system is operated in a dusty environment or if frequent stops are made. For gas fueled generator sets, shorter maintenance intervals are also required, if operating at loads below 70% for prolonged periods. Contact your local Cummins® Authorized Repair Location for recommended maintenance intervals.

Some of these maintenance procedures require special tools or must be completed by qualified personnel. Contact your local Cummins® Authorized Repair Location for detailed information.

If your system is equipped with a component or accessory not manufactured or supplied by Cummins Inc., refer to the component manufacturer's maintenance recommendations.

OEM supplied equipment and components can impact on the performance and reliability of the engine if they are not correctly maintained.

Use the chart provided in this section as a convenient way to record maintenance performed.

Maintenance Schedule

General Information

Perform maintenance at whichever interval occurs first. At each scheduled maintenance interval, perform all previous maintenance checks that are due for scheduled maintenance.

Maintenance Procedures at Daily Interval³

- Air Intake Piping - Check
- Engine Lubricating Oil Level - Check
- Air Tanks and Reservoirs - Drain
- Crankcase Breather Tube - Inspect
- Engine Coolant Level - Check
- Fuel-Water Separator - Drain

Maintenance Procedures at 250 Hours or 3 Months³

- Air Cleaner Restriction - Check⁵
- Air Compressor Mounting Hardware - Check
- Charge Air Cooler - Check
- Charge Air Piping - Check
- Radiator Hoses - Check
- Air Intake Piping - Inspect

To buy Cummins Parts and Service Manuals, Training Guides, or Tools go to our website at <https://store.cummins.com>

QSB4.5 and QSB6.7 Section 2 - Maintenance Guidelines

Maintenance Schedule
Page 2-3

- Fan, Cooling - Check
- Coolant Level - Check
- Drive Belts - Check

Maintenance Procedures at 500 Hours or 6 Months^{1, 2, 3} Section 5

- Engine Coolant - Antifreeze Check
- Fuel Filter (Spin-On Type) - Change
- Lubricating Oil and Filters - Change
- Radiator Pressure Cap - Check

Maintenance Procedures at 1000 Hours or 1 Year³

- Cooling Fan Belt Tensioner - Check
- Fan Hub, Belt-Driven - Check

Maintenance Procedures at 2000 Hours or 2 Years^{2, 3}

- Air Compressor Discharge Line - Check
- Cooling System - Flush⁴
- Vibration Damper, Rubber - Check
- Vibration Damper, Viscous - Check

Maintenance Procedures at 5000 Hours or 4 Years³

- Overhead Set - Adjust

To buy Cummins Parts and Service Manuals, Training Guides, or Tools go to our website at <https://store.cummins.com>

- 1 The lubricating oil and lubricating oil filter interval is determined by the sulfur content of the fuel used, the lubricating oil type used, and the engine rating. See the Oil Drain Intervals in this section.
- 2 Antifreeze check interval is every oil change or 500 hours or 6 months, whichever occurs first. The operator **must** use a heavy-duty year-round antifreeze that meets the chemical composition of ASTM D6210. The antifreeze change interval is 2 years or 2000 hours, whichever occurs first. Antifreeze is essential for freeze, overheat, and corrosion protection.
- 3 Follow the manufacturer's recommended maintenance procedures for the starter, alternator, generator, batteries, electrical components, exhaust brake, charge air cooler, radiator, air compressor, air cleaner, refrigerant compressor, and fan clutch.
- 4 This cooling system requirement to Flush at this scheduled maintenance includes: Drain, Flush, and Fill.
- 5 If a separate air filter is used for the air compressor air supply, please reference the original equipment manufacturer (OEM) Manual for Maintenance Guidelines and Schedule.

Oil Drain Intervals

See table 1 to determine the maximum recommended oil change and filter change interval in hours or months, whichever comes first.

Table 1: Recommended Oil Change and Filter Change Intervals				
American Petroleum Institute Classification (API)	European Classification (ACEA)	Fuel Sulfur Content	Engine Rating is 261 Hp [195 kW] or greater	Engine Rating is 260 Hp [194 kW] or less
CJ-4 (CES 20081)	ACEA E9	< 500 ppm	250 hours or 6 months	500 hours or 6 months
	JAMA DH-2	500 to 5000 ppm	200 hours* or 6 months	400 hours* or 6 months

To buy Cummins Parts and Service Manuals, Training Guides, or Tools go to our website at <https://store.cummins.com>

Table 1: Recommended Oil Change and Filter Change Intervals				
American Petroleum Institute Classification (API)	European Classification (ACEA)	Fuel Sulfur Content	Engine Rating is 261 Hp [195 kW] or greater	Engine Rating is 260 Hp [194 kW] or less
CI-4 (CES 20078)	ACEA E7	up to 5000 ppm	250 hours or 6 months	500 hours or 6 months
API CH-4/SJ (CES 20071, 20076, or 20077)	ACEA E5 JAMA DH-1	up to 5000 ppm	250 hours or 3 months	500 hours or 6 months
API CF-4/SG (CES 20075)	ACEA E3 ACEA E2	up to 5000 ppm	125 hours or 6 weeks	250 hours or 3 months
API CD API CE API CG-4/SH	ACEA E1	up to 5000 ppm	Obsolete. Do not Use	Obsolete. Do Not Use

* The oil drain interval **must** be reduced by 20 percent if American Petroleum Institute (API) CJ-4 (Cummins® Engineering Standard 20081) lubricating oil is used with diesel fuel containing 0.05 to 0.5 mass percent [500 to 5000 ppm] sulfur content.

- Email: emea.customerassistance@cummins.com

China

- 400 810 5252 or (+86) 400 810 5252
- Email: customersupport@cummins.com

India

- 800 210 2525
- Email: powermaster-India@cummins.com

Russia

- Primary: +7 495 926 8624
- Alternate: +7 962 943 1211

For All Other Areas:

- +44 (0) 1327 886464

Routine Service and Parts

General Information

Personnel at Cummins Authorized Repair Locations can assist you with the correct operation and service of your system. Cummins has a worldwide service network of more than 5,000 Distributors and Dealers who have been trained to provide sound advice, expert service, and complete parts support. Check the telephone directory, refer to the directory in this section, or the Service Locator at www.cummins.com for the nearest Cummins Authorized Repair Location.

To buy Cummins Parts and Service Manuals, Training Guides, or Tools go to our website at <https://store.cummins.com>

Section L - Service Literature

Section Contents

	Page
Additional Service Literature	L-1
General Information.....	L-1
Cummins Customized Parts Catalog	L-5
General Information.....	L-5
Ordering the Customized Parts Catalog.....	L-5
Service Literature Ordering Location	L-4
Contact Information.....	L-4

This Page Left Intentionally Blank

QSB4.5 and QSB6.7
Section L - Service Literature

Additional Service Literature
Page L-1

Additional Service Literature General Information

The following publications can be purchased:

Additional Service Literature	
Bulletin	Title of Publication
4021271	ISB, ISBe, ISBe4, QSB4.5, QSB5.9, and QSB6.7 (Common Rail Fuel System) Service Manual
4021578	ISB CM2150 and ISB CM2150 E Service Manual
4021597	ISBe and ISDe CM2150 Service Manual
4022188	ISB4.5, ISB6.7, ISD4.5, and ISD6.7 CM2150 SN Service Manual
4022254	ISB6.7 CM2250 Service Manual
4021416	ISB, ISBe2, ISBe3, ISBe4, QSB4.5, QSB5.9, QSB6.7, ISC, QSC8.3, ISL, ISLe3, ISLe4, and QSL9 CM850 (CM2850) Electronic Control System Troubleshooting and Repair Manual
4021570	ISB, ISC, ISL, ISDe, and QSB3.3 CM2150 Electronic Control System Troubleshooting and Repair Manual
4021524	QSB4.5, QSB6.7, QSB8.3 and QSL9 CM850 (CM2850) Electronic Control Module Wiring Diagram
4022225	Troubleshooting and Repair Manual, CM2250 Electronic Control System
4021532	ISBe4 with CM850 Electronic Control Module Wiring Diagram ⁽¹⁾
4021572	ISB CM2150 Wiring Diagram
4021625	ISDe and ISBe with CM2150 Control Module Wiring Diagram

Additional Service Literature	
Bulletin	Title of Publication
4021670	ISBe2 / ISBe3 CM850 Wiring Diagram
4022230	ISB6.7 CM2250 Wiring Diagram
4021531	QSB4.5 and QSB6.7 CM850 (CM2850) Operation and Maintenance Manual
4021546	ISBe4 (Common Rail Fuel System) Operation and Maintenance Manual
4021602	ISB CM2150 and ISB CM2150 E Operation and Maintenance Manual
4021619	ISBe and ISDe CM2150 Operation and Maintenance Manual
4021680	ISBe2 and ISBe3 CM850 Operation and Maintenance Manual
4022189	ISB4.5, ISB6.7, ISD4.5, and ISD6.7 CM2150 SN Operation and Maintenance Manual
4022263	ISB6.7 CM2250 Operation and Maintenance Manual
4021601	ISB CM2150 and ISB CM2150 E Owners Manual
4021620	ISBe and ISDe CM2150 Owners Manual
4021681	ISBe2 and ISBe3 CM850 Owners Manual
4022220	ISB4.5, ISB6.7, ISD4.5, and ISD6.7 CM2150 SN Owners Manual
4022262	ISB6.7 CM2250 Owners Manual
3379000	Air for Your Engine
3379001	Fuels for Cummins® Engines
3379009	Operation of Diesel Engines in Cold Climates
3666132	Cummins® Coolant Requirements and Maintenance
3387266-R	Cold Weather Operation

To buy Cummins Parts and Service Manuals, Training Guides, or Tools go to our website at <https://store.cummins.com>

Additional Service Literature	
Bulletin	Title of Publication
3810340	Cummins® Engine Oil and Oil Analysis Recommendations
4021566	Diesel Exhaust Fluid (DEF) Specifications for Cummins® Selective Catalytic Reduction (SCR) Systems
(1) Revision 01 or newer is required for ISBe4+/ISBe5- (Minus)	

Service Literature Ordering Location Contact Information

Service literature can be obtained from the appropriate location listed below:

- Any Cummins® Distributor
- Iron Mountain Fulfillment Services
 - Help Desk (U.S.): 1-800-646-5609
 - Help Desk (Outside U.S.): 1-630-283-2420
 - Email: CECOteam@ironmountain.com
- QuickServe® Online Store
 - <https://store.cummins.com/store>

To buy Cummins Parts and Service Manuals, Training Guides, or Tools go to our website at <https://store.cummins.com>

Cummins Customized Parts Catalog

General Information

Cummins is pleased to announce the availability of a parts catalog compiled specifically for you. Unlike the generic versions of parts catalogs that support general high volume parts content, Cummins Customized catalogs contain only the new factory parts that were used to build your engine.

The catalog cover, as well as the content, is customized with you in mind. You can use it in your shop, at your worksite, or as a coffee table book in your RV or boat. The cover contains your name, company name, address, and telephone number.

This new catalog was designed to provide you with the exact information you need to order parts for your engine. This will be valuable for customers that do not have easy access to Cummins QuickServe Online.

Additional Features of the Customized Catalog include:

- Engine Configuration Data
- Table of Contents
- Separate Option and Parts Indexes
- Service Kits (when applicable)
- ReCon Part Numbers (when applicable)

Ordering the Customized Parts Catalog

Ordering by Telephone

- North American Distributors, Original Equipment Manufacturers and Cummins Factory personnel order by calling Iron Mountain Fulfillment Services (IMFS) at 1-800-646-5609.

To buy Cummins Parts and Service Manuals, Training Guides, or Tools go to our website at <https://store.cummins.com>

- International Distributors and Original Equipment Manufacturers order the CPC from their regional Cummins Parts Distribution Centers (PDC).
- International PDC orders are called into Iron Mountain at (++) 630-283-2420.
- Retail Credit Card Orders require a 2 step ordering process.

Ordering On-Line

Access the Cummins QSOL store at <https://store.cummins.com>

- Find the Customized Parts Catalog button located on the left of the homepage
- Select format. Your Price is also shown here
- Finalize Shopping Cart and Check Process as described on the website

North America call Iron Mountain Fulfillment Services (IMFS) at 800-646-5609, International customers call (++) 630-283-2420. Provide IMFS the catalog detail as described on the website. This step is required until we have our On Line form available.

Required information needed for your Customized Parts Catalog Order.

- Customer Name
- Street Address
- Company Name (optional)
- Telephone no.
- Credit Card No.
- Cummins Engine Serial Number (located on the engine data plate)

To buy Cummins Parts and Service Manuals, Training Guides, or Tools go to our website at <https://store.cummins.com>

Unfortunately not all Cummins Engines can be supported by Customized Parts Catalogs. Engines older than 1984 or newer than 3 months may not have the necessary parts information to compile a catalog. We will contact you if this occurs and explain why we are unable to fill your order.

Customized Parts Catalogs are produced specifically for a single customer. This means they are not returnable for a refund. If we make an error and your catalog is not useable, we will correct that error by sending you a new catalog.

Notes

QSB4.5 and QSB6.7
Section S - Service Assistance

Page S-a

Section S - Service Assistance

Section Contents

	Page
Routine Service and Parts	S-2
General Information.....	S-2
Service Assistance	S-1
General Information.....	S-1

This Page Left Intentionally Blank

QSB4.5 and QSB6.7
Section V - Maintenance Specifications

Page V-a

Section V - Maintenance Specifications

Section Contents

	Page
Coolant Recommendations and Specifications	V-14
Cooling System Sealing Additives.....	V-17
Cooling System Soluble Oils.....	V-17
Fully Formulated Coolant/Antifreeze.....	V-14
Cooling System	V-4
Specifications.....	V-4
Filter Specifications	V-5
General Information.....	V-5
Fuel Recommendations and Specifications	V-6
Fuel Recommendations.....	V-6
General Engine	V-1
Specifications.....	V-1
Lubricating Oil Recommendations and Specifications	V-8
General Information.....	V-8
New Engine Break-in Oils.....	V-13
Lubricating Oil System	V-2
Specifications.....	V-2

This Page Left Intentionally Blank

QSB4.5 and QSB6.7
Section V - Maintenance Specifications

General Engine
Page V-1

General Engine

Specifications

Listed below are the general specifications for this engine.

Bore and Stroke.....	107 mm [4.21 in] x 124 mm [4.88 in]
Horsepower.....	Refer to engine dataplate
Displacement	
Four-Cylinder Engine.....	4.5 liters [274 C.I.D.]
Six-Cylinder Engine.....	6.7 liters [409 C.I.D.]
Firing Order	
Four-Cylinder Engine.....	1-3-4-2
Six-Cylinder Engine.....	1-5-3-6-2-4
Engine Weight (with standard accessories):	
Dry Weight for 4.5 Liters [274 C.I.D.].....	374 kg [825 lb].
Dry Weight for 6.7 Liters [409 C.I.D.].....	485 kg [1070 lb].
Crankshaft Rotation (viewed from the front of the engine).....	Clockwise
Valve Clearance:	
Intake.....	0.254 mm [0.010 in]
Exhaust.....	0.508 mm [0.020 in]

NOTE: The engine features a no-adjust overhead. The valve train is designed such that adjustment of the valve lash is **not** required for normal service until the first overhead set adjustment recommended under Maintenance Schedule in Section 2 of this manual. The valve train operates acceptably within the limits of 0.152- to 0.381-mm [0.006- to 0.015-in] intake valve lash and 0.381- to 0.762-mm [0.015- to 0.030-in] exhaust valve lash.

Lubricating Oil System

Specifications

Oil Pressure

Low idle (minimum allowed).....	69 kPa [10 psi]
At rated (minimum allowed).....	207 kPa [30 psi]
Oil-regulating valve-opening pressure range.....	448 kPa [65 psi] to 517 kPa [75 psi]
Oil filter differential pressure to open bypass.....	345 kPa [50 psi]
Lubricating Oil Filter Capacity.....	0.95 liters [1 qt]

Oil Capacity of Standard Engine (four-cylinder)

4.5 liters [275 C.I.D.] Engines (Suspended Oil Pan)

Pan only	11 liters [11.6 qt]
Total system.....	13 liters [13.7 qt]
High to low (on dipstick).....	1.9 liters [2.0 qt]

Oil Capacity of Standard Engine (four-cylinder)

4.5 liters [275 C.I.D.] Engines (Aluminium Oil Pan)

Pan only	13 liters [13.7 qt]
Total system.....	15 liters [15.9 qt]
High to low (on dipstick).....	3.0 liters [3.2 qt]

Oil Capacity of Standard Engine (four-cylinder)

4.5 liters [275 C.I.D.] Engines (High Capacity Oil Pan)

Pan only	16 liters [16.9 qt]
Total system.....	18 liters [19.0 qt]
High to low (on dipstick).....	6.0 liters [6.3 qt]

Oil Capacity of Standard Engine (six-cylinder)

6.7 liters [409 C.I.D.] Engines (Standard Oil Pan)

Pan only	14.2 liters [15.0 qt]
----------------	-----------------------

To buy Cummins Parts and Service Manuals, Training Guides, or Tools go to our website at <https://store.cummins.com>

Total System.....	16.7 liters [17.6 qt]
High to Low (on dipstick).....	1.9 liters [2.0 qt]
Oil Capacity of Standard Engine (six-cylinder)	
6.7 liters [409 C.I.D.] Engines (Suspended Oil Pan)	
Pan only	17.2 liters [18.5 qt]
Total System.....	19.7 liters [20.8 qt]
High to Low (on dipstick).....	2.8 liters [3.0 qt]
Oil Capacity of Standard Engine (six-cylinder)	
6.7 liters [409 C.I.D.] Engines (High Capacity Oil Pan)	
Pan only	23.9 liters [25.3 qt]
Total System.....	26.4 liters [27.9 qt]
High to Low (on dipstick).....	7.4 liters [7.8 qt]
Maximum Oil Temperature	
For 4.5 liters [275 C.I.D.] and 6.7 liters [409 C.I.D.] Engines.....	138°C [280°F]

NOTE: If the type/oil capacity of the oil pan is **not** known:

- Contact a Cummins® Distributor/Dealer.
- Determine the capacity of the oil pan option for the engine being serviced by using QuickServe™ Online and the engine serial number.
- Fill the lubricating oil pan to the smallest oil pan capacity listed for the engine being serviced. Then add 0.95 liters [1 qt] of oil at a time until it reaches the high mark on the dipstick. Record the number of quarts added so that capacity is known the next time the oil is drained.

Cooling System

Specifications

Coolant Capacity (four-cylinder engine only).....	8.5 liters [2.2 gal]
Coolant Capacity (six-cylinder engine only).....	10 liters [2.6 gal]
Standard Modulating Thermostat - Range - Industrial Applications.....	88 to 97°C [190 to 207°F]
Maximum Allowed Operating Temperature - Industrial Applications.....	107°C [225°F]
Minimum Recommended Operating Temperature.....	71°C [160°F]
Minimum Recommended Pressure Cap - Industrial Applications.....	50 kPa [7 psi]

To buy Cummins Parts and Service Manuals, Training Guides, or Tools go to our website at <https://store.cummins.com>

Filter Specifications

General Information

Fleetguard®/Nelson® is a subsidiary of Cummins Inc. Fleetguard®/Nelson® filters are developed through joint testing at Cummins® and Fleetguard®/Nelson®. Fleetguard®/Nelson® filters are standard on new Cummins® engines. Cummins Inc. recommends their use.

Fleetguard®/Nelson® products meet all Cummins® Source Approval Test standards to provide the quality filtration necessary to achieve the engine's design life. If other brands are substituted, the purchaser **must** insist on products that the supplier has tested to meet Cummins Inc. high-quality standards.

Cummins Inc. can **not** be responsible for problems caused by non-genuine filters that do **not** meet Cummins Inc. performance or durability requirements.

Filter Part Numbers

Lubricating Oil Filter	
Cummins® Part Number	3937736
Fleetguard®/Nelson® Part Number	LF3970
Fuel Filter (Primary)	
Cummins® Part Number	3978040
Fleetguard®/Nelson® Part Number	FF5421
Fuel Filter (Prefilter with WIF Sensor)	
Cummins® Part Number	3973233
Fleetguard®/Nelson® Part Number	FS19732

To buy Cummins Parts and Service Manuals, Training Guides, or Tools go to our website at <https://store.cummins.com>

Fuel Recommendations and Specifications

Fuel Recommendations



Do not mix gasoline, alcohol, or gasohol with diesel fuel. This mixture can cause an explosion.



Due to the precise tolerances of diesel injection systems, it is extremely important that the fuel be kept clean and free of dirt or water. Dirt or water in the system can cause severe damage to both the fuel pump and the fuel injectors.



Lighter fuels can reduce fuel economy or possibly damage fuel system components.

Cummins Inc. recommends the use of ASTM number 2D fuel. The use of number 2D diesel fuel will result in optimum engine performance.

At operating temperatures below 0°C [32°F], acceptable performance can be obtained by using blends of number 2D and number 1D.

The following chart lists acceptable substitute fuels for this engine.

To buy Cummins Parts and Service Manuals, Training Guides, or Tools go to our website at <https://store.cummins.com>

Acceptable Substitute Fuels									
Number 1D Diesel ⁽¹⁾ (2) (3)	Number 2D Diesel ⁽³⁾	Number 1K Kerosene	Jet-A	Jet-A1	JP-5	JP-8	Jet-B	JP-4	CITE
A	OK	Not OK	A	A	A	A	Not OK	Not OK	Not OK
An "A" means OK only if fuel lubricity is adequate. This means the BOCLE number is 3100 or greater as measured by ASTM specification D6078, Scuffing Load Ball On Cylinder Evaluator (SLBOCLE). Lubricity can also be measured by ASTM, specification D6079, ISO 12156, High Frequency Reciprocating Rig (HFRR) in which the fuel must have a wear scar diameter of 0.45 mm [0.02 in] or less.									
Any adjustment to compensate for reduced performance with a fuel system using alternate fuel is not warrantable.									
Winter blend fuels, such as found at commercial fuel-dispensing outlets, are combinations of number 1D and 2D diesel fuels and are acceptable.									

NOTE: Cummins Inc. recommends that the cetane number of diesel fuel be a minimum of 45 for engines that are expected to operate at temperatures below 0°C [32°F] and a minimum of 40 for engines that are operated at temperatures above 0°C [32°F].

NOTE: Using diesel fuel with lower than recommended cetane number can cause hard starting, instability, and excessive white smoke. To maintain satisfactory operation at low ambient temperatures, it is important to specify diesel fuel of the correct cetane number.

Additional information for fuel recommendations and specifications can be found in Fuel for Cummins® Engines, Bulletin 3379001. See ordering information in the back of this manual.

Lubricating Oil Recommendations and Specifications

General Information

⚠CAUTION⚠

The fuel sulphur content should not exceed 0.5 mass percent sulphur. If the fuel sulphur content is greater than 0.5 mass percent sulphur, seek advice from your local Cummins® Distributor. For recommendations of fuel for Cummins® engines, refer to Fuel for Cummins® Engines, Bulletin 3379001.

⚠CAUTION⚠

Extending the oil and filter change interval beyond the recommendations will decrease engine life due to factors such as corrosion, deposits and wear.

⚠CAUTION⚠

Cummins Inc. does not recommend the use of ACEA E4/MB 228.5 formulation oils, which do not attain one or more of the following lubricant qualifications: A.P.I. CH-4, CI-4, ACEA E5, E7, CES 20071, CES 20072, CES 20076, CES 20077, CES 20078. If ACEA E4/MB 228.5 formulation oils, which do not comply with the oil specifications listed above, are used in Cummins® automotive engines, problems such as wear to overhead, sliding tappets, camshaft and crankshaft bearings may be experienced.

The use of quality engine lubricating oils, combined with appropriate oil drain and filter change intervals, is a critical factor in maintaining engine performance and durability. Extending the oil and filter change interval beyond the recommendations will decrease engine life due to factors such as corrosion, deposits, and wear.

NOTE: The responsibility is with the owner. If recommendations are ignored, warranty could be affected.

NOTE: ACEA = Association des Constructeurs Européen d'Automobiles, API = American Petroleum Institute and CES = Cummins® Engineering Standard.

To buy Cummins Parts and Service Manuals, Training Guides, or Tools go to our website at <https://store.cummins.com>

Cummins Inc. recommends the use of a high-quality Society of Automotive Engineers (SAE) 15W-40 heavy-duty engine oil, such as Valvoline Premium Blue™, which meets or exceeds the American Petroleum Institute (API) performance classification CH-4/SJ or CI-4/SK and the Association des Constructeurs Européen d'Automobiles (ACEA) performance classification E5 or E7.

Cummins® Engineering Standard Classifications (CES)	American Petroleum Institute Classification (API)	European Classification (ACEA)	Comments
	API CD API CE	ACEA E-1, ACEA E-2	OBSOLETE. DO NOT USE.
CES 20075	API CF-4/SG, API CG-4/SH	ACEA E-3	Minimum acceptable oil classification for MidRange engines. (1)
CES 20071, CES 20072, CES 20076, CES 20077	API CH-4/SJ	ACEA E-5, E-7	Good oil classification for MidRange engines without EGR.
CES 20078	API CI-4/SK		Excellent oil for MidRange engines.

1. CG-4/SH and E-3 oils can be used in areas where none of the recommended oils are available, but the oil drain interval **must** be reduced by one half of the interval given in the maintenance schedule. See the oil drain interval information in Section 2.

A sulfated ash limit of 1.0 mass percent is suggested for optimum valve and piston deposit, and oil consumption control. The sulfated ash **must not** exceed 1.85 mass percent.

Special "break-in" oils are **not** recommended for use in new or rebuilt Cummins® engines. Use the same lubricating oil that will be used in normal engine operations.

Use of "synthetic engine oils" (those made with API group 3 or group 4 base stocks) is permitted subject to the same performance and viscosity limitations of petroleum (mineral) based engine oils. The same oil change intervals **must** be applied to synthetic oils that are applied to petroleum (mineral) based engine oils.

For further details and discussion of engine lubricating oils for Cummins® engines, refer to Cummins® Engine Oil and Oil Analysis Recommendations, Bulletin 3810340.

To buy Cummins Parts and Service Manuals, Training Guides, or Tools go to our website at <https://store.cummins.com>

QSB4.5 and QSB6.7
Section V - Maintenance Specifications

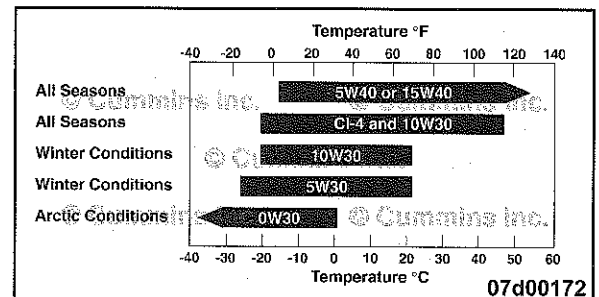
Lubricating Oil Recommendations and Specifications
Page V-11



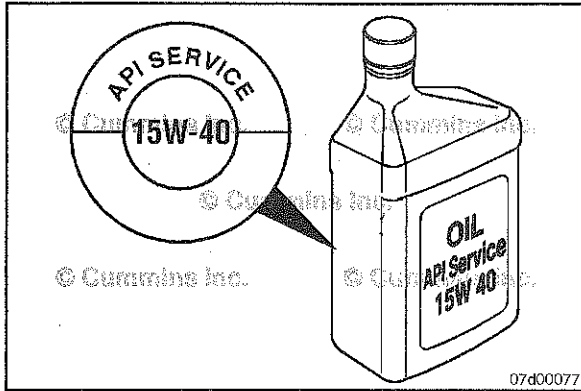
An SAE 10W-30 designation on a product is a viscosity designation only. This designation alone does not imply that the product meets Cummins Inc. requirements. Only 10W-30 oils with diesel performance credentials listed in table above can be used in Cummins® engines if the reduced ambient temperature indicated in chart above is observed.

The primary Cummins Inc. recommendation is for the use of 15W-40 multigrade for normal operation at ambient temperatures above -15°C [5°F]. The use of multigrade oil reduces deposit formation, improves engine cranking in low temperature conditions, and increases engine durability by maintaining lubrication during high temperature operating conditions. Since multigrade oils have been shown to provide approximately 30 percent lower oil consumption, compared with monograde oils, it's important to use multigrade oils to be certain your engine will meet applicable emissions requirements. While the preferred viscosity grade is 15W-40, lower viscosity multigrades can be used in colder climates. See the accompanying chart.

Oils meeting a 10W30 viscosity grade, **must** meet a minimum high temperature-high shear viscosity of 3.5 cSt., and ring wear/liner wear requirements of Cummins® and Mack™ tests. Thus, they can be used over a wider temperature range than 10W-30 oils meeting older API performance classifications. As these oils will have directionally thinner oil films than 15W-40 oils, top quality Fleetguard® filters **must** be used above 20°C [70°F]. Some oil suppliers might claim better fuel economy for these oils. Cummins Inc. can neither approve nor disapprove any product **not** manufactured by Cummins Inc. These claims are between the customer and oil supplier. Obtain the oil supplier's commitment that the oil will give satisfactory performance in Cummins® engines or do **not** use the oil.

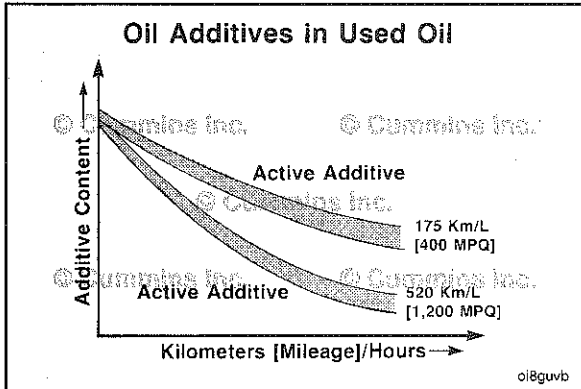


To buy Cummins Parts and Service Manuals, Training Guides, or Tools go to our website at <https://store.cummins.com>



An example of the API service symbols are shown in the accompanying illustration. The upper half of the symbol displays the appropriate oil categories.

The center section identifies the SAE oil viscosity grade.



As the engine oil becomes contaminated, essential oil additives are depleted. Lubricating oils protect the engine as long as these additives are functioning properly. Progressive contamination of the oil between oil and filter change intervals is normal. The amount of contamination will vary depending on the operation of the engine, kilometers or miles on the oil, fuel consumed, and new oil added.

Extending oil and filter change intervals beyond the recommendations will decrease engine life due to factors such as corrosion, deposits, and wear.

See the oil drain chart in Section 2 to determine which oil drain interval to use for your application.

To buy Cummins Parts and Service Manuals, Training Guides, or Tools go to our website at <https://store.cummins.com>

New Engine Break-in Oils

⚠CAUTION⚠

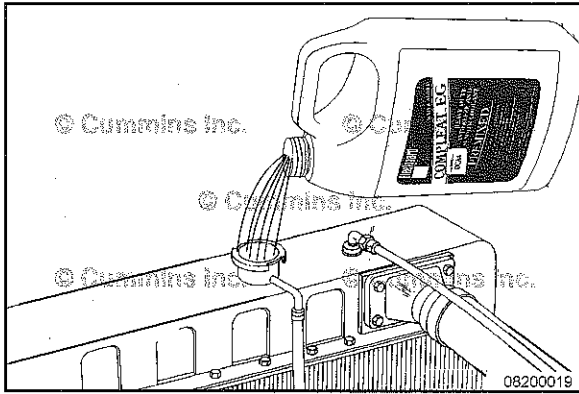
A sulfated ash limit of 1.85 percent has been placed on all engine lubricating oils recommended for use in Cummins® engines. Higher ash oils can cause valve and/or piston damage and lead to excessive oil consumption.

⚠CAUTION⚠

The use of a synthetic-base oil does not justify extended oil change intervals. Extended oil change intervals can decrease engine life due to factors such as corrosion, deposits, and wear.

Special break-in engine lubricating oils are **not** recommended for new or rebuilt Cummins® engines. Use the same type of oil during the break-in as is used in normal operation.

Additional information regarding lubricating oil availability throughout the world is available in the EMA Lubricating Oils Data Book for Heavy-Duty Automotive and Industrial Engines. The data book can be ordered from: Engine Manufacturers Association, Two North LaSalle Street, Chicago, IL 60602; (312) 827-8733, (www.enginemanufacturers.org).



Coolant Recommendations and Specifications

Fully Formulated Coolant/Antifreeze

Cummins Inc. recommends the use of fully formulated antifreeze/coolant meeting Cummins Engineering Standards (C.E.S.) 14603. For further details and discussion of coolant for Cummins® engines, refer to Coolant Requirements and Maintenance, Bulletin 3666132.

Typically, antifreeze/coolants meeting ASTM4985 (GM6038M specification) or ASTM D6210 criteria are acceptable antifreeze/coolants for engines covered by the manual.

Low-silicate antifreeze/coolants meeting ASTM D4985 (GM6038M specification) are **not** adequate for extended service intervals.

Cummins Inc. recommends using either a 50/50 mixture of good-quality water and fully formulated antifreeze, or fully formulated coolant when filling the cooling system.

Good-quality water is important for cooling system performance. Excessive levels of calcium and magnesium contribute to scaling problems, and excessive levels of chlorides and sulfates cause cooling system corrosion.

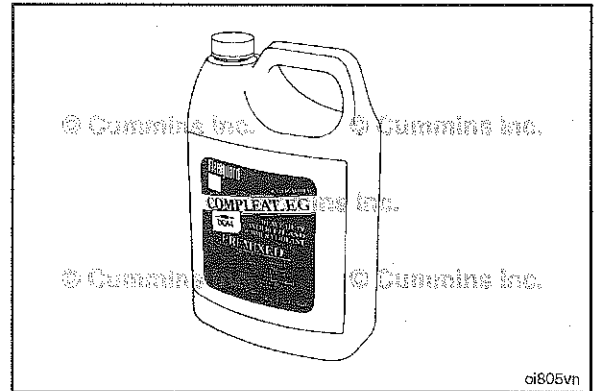
Water Quality	
Calcium Magnesium (hardness)	Maximum 170 ppm as (CaCO ₃ + MgCO ₃)
Chloride	40 ppm as (Cl)
Sulfur	100 ppm as (SO ₄)

To buy Cummins Parts and Service Manuals, Training Guides, or Tools go to our website at <https://store.cummins.com>

QSB4.5 and QSB6.7 Section V - Maintenance Specifications

Cummins Inc. recommends using Fleetguard® Compleat. It is available in both glycol forms (ethylene and propylene).

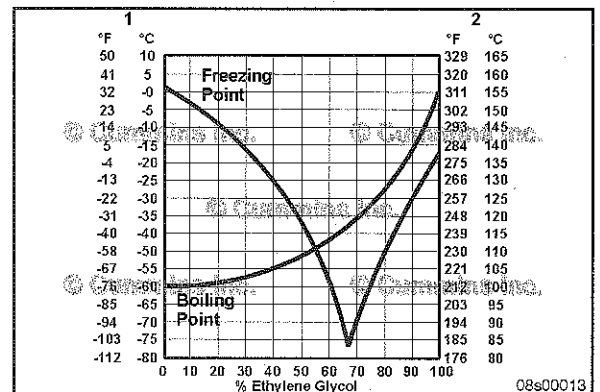
Coolant Recommendations and Specifications Page V-15



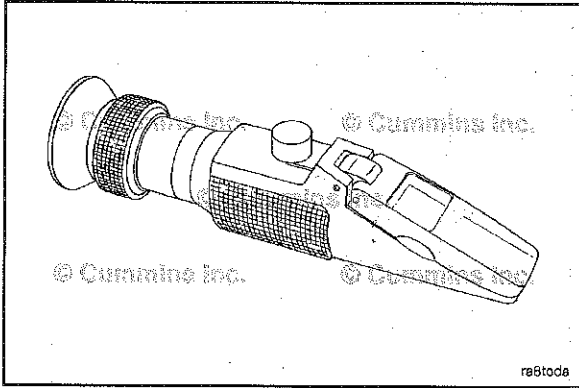
Fully formulated antifreeze **must** be mixed with good-quality water at a 50/50 ratio (40- to 60-percent working range). A 50/50 mixture of antifreeze and water gives a -36°C [-33°F] freezing point and a 108°C [226°F] boiling point, which is adequate for locations in North America. The actual lowest freezing point of ethylene glycol antifreeze is at 68 percent. Using higher concentrations of antifreeze will raise the freezing point of the solution and increase the possibility of a silica gel problem.

Legend

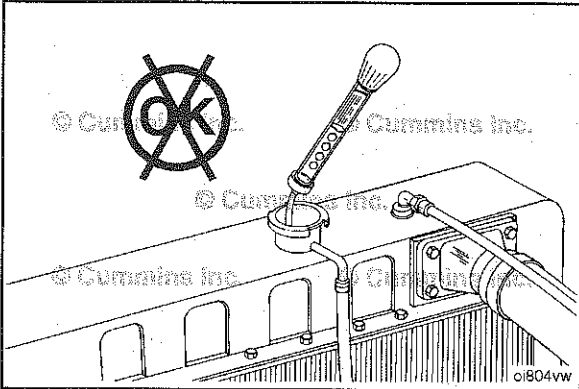
- 1 Freezing Point Temperature Scale
- 2 Boiling Point Temperature Scale



To buy Cummins Parts and Service Manuals, Training Guides, or Tools go to our website at <https://store.cummins.com>



A refractometer **must** be used to measure the freezing point of the coolant **accurately**. Use Fleetguard® refractometer, Part Number C2800.



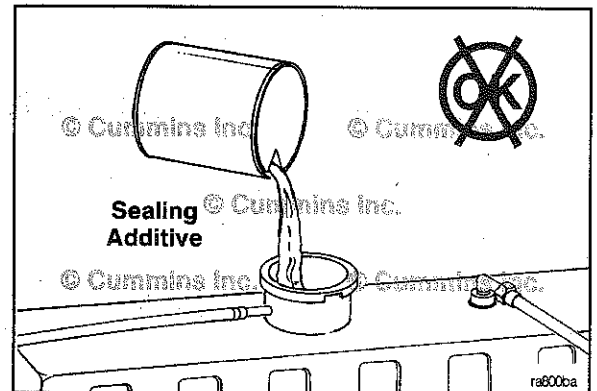
Do **not** use a floating ball hydrometer. The use of floating ball hydrometers can give an incorrect reading.

To buy Cummins Parts and Service Manuals, Training Guides, or Tools go to our website at <https://store.cummins.com>

Cooling System Sealing Additives

Do **not** use sealing additives in the cooling system. The use of sealing additives will:

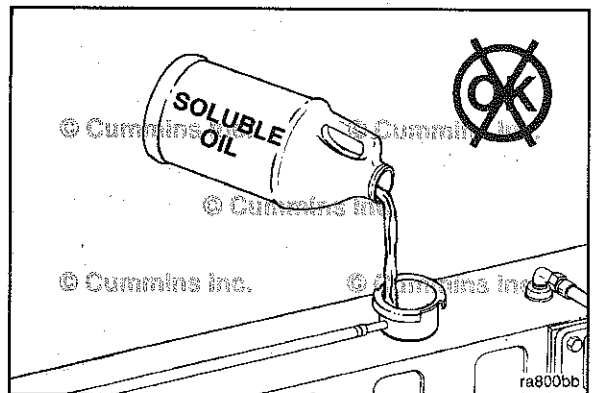
- Buildup in coolant low-flow areas
- Plug the radiator and oil cooler
- Possibly damage the water pump seal.



Cooling System Soluble Oils

Do **not** use soluble oils in the cooling system. The use of soluble oils will:

- Corrode brass and copper
- Damage heat transfer surfaces
- Damage seals and hoses.



To buy Cummins Parts and Service Manuals, Training Guides, or Tools go to our website at <https://store.cummins.com>

This Page Left Intentionally Blank

QSB4.5 and QSB6.7
Section W - Warranty

All Engines United States And Canada Industrial (Off-Hi [...])
Page W-1

All Engines United States And Canada Industrial (Off-Highway) Coverage

Products Warranted

This Warranty applies to new Engines sold by Cummins and delivered to the first user on or after April 1, 1999, that are used in Industrial (Off-Highway) applications in the United States* and Canada, except for Engines used in marine, generator drive, locomotive/railcar and certain defense applications, for which different Warranty Coverage is provided.

Base Engine Warranty

This Warranty covers any failures of the Engine, under normal use and service, which result from a defect in material or factory workmanship (Warrantable Failures).

Coverage begins with the sale of the Engine by Cummins. Coverage continues for two years or 2,000 hours of operation, whichever occurs first, from the date of delivery of the Engine to the first user, or from the date the unit is first leased, rented or loaned, or when the Engine has been operated for 50 hours, whichever occurs first. If the 2,000 hour limit is exceeded during the first year, Coverage continues until the end of the first year.

Engine aftertreatment components included in the Cummins Critical Parts List (CPL) and marked with a Cummins part number are covered under Base Engine Warranty.

Additional Coverage is outlined in the Emission Warranty section.

Extended Major Components Warranty

The Extended Major Components Warranty covers Warrantable Failures of the Engine cylinder block, camshaft, crankshaft and connecting rods (Covered Parts).

Bushing and bearing failures are not covered.

This Coverage begins with the expiration of the Base Engine Warranty and ends three years or 10,000 (3,000 hours for A Series Engines) hours of operation from the date of delivery of the Engine to the first user, or from the date the unit is first leased, rented or loaned, or from when the Engine has been operated for 50 hours, whichever occurs first.

Consumer Products

The Warranty on Consumer Products in the United States* is a LIMITED Warranty. **CUMMINS IS NOT RESPONSIBLE FOR INCIDENTAL OR CONSEQUENTIAL DAMAGES.** Any implied Warranties applicable to Consumer Products in the United States* terminate concurrently with the expiration of the express Warranties applicable to the product. In the United States*, some states do not allow the exclusion of incidental or consequential damages, or limitations on how long an implied Warranty lasts, so the limitations or exclusions herein may not apply to you.

These Warranties are made to all Owners in the chain of distribution and Coverage continues to all subsequent Owners until the end of the periods of Coverage.

Cummins Responsibilities

During The Base Engine Warranty

Cummins will pay for all parts and labor needed to repair the damage to the Engine resulting from a Warrantable Failure.

Alternators, starters, and fans ARE covered for the duration of the Base Engine Warranty on A Series and B3.3 Engines.

Alternators and starters are covered for the duration of the Base Engine Warranty on QSK23 Engines.

Cummins will pay for the lubricating oil, antifreeze, filter elements and other maintenance items that are not reusable due to the Warrantable Failure.

Cummins will pay reasonable costs for mechanics to travel to and from the equipment site, including meals, mileage and lodging, when the repair is performed at the site of the failure.

Cummins will pay reasonable labor costs for Engine removal and reinstallation when necessary to repair a Warrantable Failure.

During The Extended Major Components Warranty

To buy Cummins Parts and Service Manuals, Training Guides, or Tools go to our website at <https://store.cummins.com>

Cummins will pay for the repair or, at its option, replacement of the defective Covered Part and any Covered Part damaged by a Warrantable Failure of the defective Covered Part.

Owner Responsibilities

During The Base Engine Warranty

Owner is responsible for the cost of lubricating oil, antifreeze, filter elements and other maintenance items provided during Warranty repairs unless such items are not reusable due to the Warrantable Failure.

During The Extended Major Components Warranty

Owner is responsible for the cost of all labor needed to repair the Engine, including the labor to remove and reinstall the Engine. When Cummins elects to repair a part instead of replacing it, Owner is not responsible for the labor needed to repair the part.

Owner is responsible for the cost of all parts required for the repair except for the defective Covered Part and any Covered Part damaged by a Warrantable Failure of the defective Covered Part.

Owner is responsible for the cost of lubricating oil, antifreeze, filter elements and other maintenance items replaced during repair of a Warrantable Failure.

During The Base Engine And Extended Major Components Warranties

Owner is responsible for the operation and maintenance of the Engine as specified in the applicable Cummins Operation and Maintenance Manual. Owner is also responsible for providing proof that all recommended maintenance has been performed.

Before the expiration of the applicable Warranty, Owner must notify a Cummins distributor, authorized dealer or other repair location approved by Cummins of any Warrantable Failure and make the Engine available for repair by such facility. Service locations are listed on the Cummins Worldwide Service Locator at cummins.com.

Owner is responsible for communication expenses, meals, lodging and similar costs incurred as a result of a Warrantable Failure.

Owner is responsible for non-Engine repairs, "downtime" expenses, cargo damage, fines, all applicable taxes, all business costs and other losses resulting from a Warrantable Failure.

Limitations

Engines with an emissions certification listed below must be operated using only diesel fuel having no more than the corresponding maximum sulfur content. Failure to use the specified fuel as listed in the Cummins Fuel Bulletin #3379001 Table 1 (Cummins Inc. Required Diesel Fuel Specifications) can damage the Engine and aftertreatment system within a short period of time. This damage could cause the Engine to become inoperable and failures attributable to the use of incorrect fuels will be denied Warranty Coverage. Fuel specifications also need to comply with local fuel regulations (EN590 for Europe and ASTM D975 for North America) for Warranty eligibility.

Maximum sulfur levels by emissions certification level as listed on the Engine's dataplate are:

EPA 2007/2010/2013/2017	max. 15 parts per million
EPA Tier 4 Interim / Final	max. 15 parts per million
EU Stage IV 2011	max. 15 parts per million
Euro 4/5	max. 50 parts per million
Euro 6	max. 10 parts per million

Cummins is not responsible for failures or damage resulting from what Cummins determines to be abuse or neglect, including, but not limited to: operation without adequate coolants or lubricants; overfueling; overspeeding; lack of maintenance of lubricating, cooling or intake systems; improper storage, starting, warm-up, run-in or shutdown practices; unauthorized modifications of the Engine. Cummins is also not responsible for failures caused by incorrect oil, fuel or diesel exhaust fluid or by water, dirt or other contaminants in the fuel, oil or diesel exhaust fluid.

For power units and fire pumps (package units), this Warranty applies to accessories, except for clutches and filters, supplied by Cummins which bear the name of another company.

Cummins Compusave units are covered by a separate Warranty.

To buy Cummins Parts and Service Manuals, Training Guides, or Tools go to our website at <https://store.cummins.com>

QSB4.5 and QSB6.7 Section W - Warranty

Before a claim for excessive oil consumption will be considered, Owner must submit adequate documentation to show that consumption exceeds Cummins published standards.

Failures of belts and hoses supplied by Cummins are not covered beyond the first 500 hours or one year of operation, whichever occurs first.

Parts used to repair a Warrantable Failure may be new Cummins parts, Cummins approved rebuilt parts or repaired parts. Cummins is not responsible for failures resulting from the use of parts not approved by Cummins.

A new Cummins or Cummins approved rebuilt part used to repair a Warrantable Failure assumes the identity of the part it replaced and is entitled to the remaining Coverage hereunder.

For all A Series Applications, including Industrial, travel reimbursement for non-transportable equipment will be limited to 4.0 hours, \$0.25/mile and 250 miles maximum. Any costs beyond this limit are the customer's responsibility.

CUMMINS DOES NOT COVER WEAR OR WEAROUT OF COVERED PARTS.

CUMMINS IS NOT RESPONSIBLE FOR INCIDENTAL OR CONSEQUENTIAL DAMAGES.

THESE WARRANTIES SET FORTH HEREIN ARE THE SOLE WARRANTIES MADE BY CUMMINS IN REGARD TO THESE ENGINES. CUMMINS MAKES NO OTHER WARRANTIES, EXPRESS OR IMPLIED, OR OF MERCHANTABILITY OR FITNESS FOR A PARTICULAR PURPOSE.

This Warranty gives you specific legal rights, and you may also have other rights which vary from state to state.

Emission Warranty Products Warranted

This Emission Warranty applies to new Engines marketed by Cummins that are used in the United States* and Canada in vehicles designed for Industrial Off-Highway use. This Warranty applies to Engines delivered to the ultimate purchaser on or after April 1, 1999, for Engines up to 750 horsepower and on or after January 1, 2000, for Engines 751 horsepower and over.

Training Guides, or Tools go to our website at <https://store.cummins.com>

Cummins warrants to the ultimate purchaser and each subsequent purchaser that the Engine is designed, built and equipped so as to conform at the time of sale by Cummins with all U.S. Federal emission regulations applicable at the time of manufacture and that it is free from defects in workmanship or material which would cause it not to meet these regulations within the longer of the following periods: (A) **Five years or 3,000 hours of operation for industrial applications, five years or 3,500 hours of operation for industrial spark-ignited Engines (GTA855, G855, G5.9C, G8.3-C, GTA8.9E, QSK19G) and five years or 2,500 hours of operation for industrial spark-ignited Engines (GKTA19-GC), whichever occurs first, as measured from the date of delivery of the Engine to the ultimate purchaser, or (B) The Base Engine Warranty.

If the vehicle in which the Engine is installed is registered in the state of California, a separate California Emission Warranty also applies.

Limitations

Engines with an emissions certification listed below must be operated using only diesel fuel having no more than the corresponding maximum sulfur content. Failure to use the specified fuel as listed in the Cummins Fuel Bulletin #3379001 Table 1 (Cummins Inc. Required Diesel Fuel Specifications) can damage the Engine and aftertreatment system within a short period of time. This damage could cause the Engine to become inoperable and failures attributable to the use of incorrect fuels will be denied Warranty Coverage. Fuel specifications also need to comply with local fuel regulations (EN590 for Europe and ASTM D975 for North America) for Warranty eligibility.

Maximum sulfur levels by emissions certification level as listed on the Engine's dataplate are:

EPA 2007/2010/2013/2017	max. 15 parts per million
EPA Tier 4 Interim / Final	max. 15 parts per million
EU Stage IV 2011	max. 15 parts per million
Euro 4/5	max. 50 parts per million
Euro 6	max. 10 parts per million

To buy Cummins Parts and Service Manuals, Training Guides, or Tools go to our website at <https://store.cummins.com>

Failures, other than those resulting from defects in materials or workmanship, are not covered by this Warranty.

Cummins is not responsible for failures or damage resulting from what Cummins determines to be abuse or neglect, including, but not limited to: operation without adequate coolant or lubricants; overfueling; overspeeding; lack of maintenance of lubricating, cooling or intake systems; improper storage, starting, warm-up, run-in or shutdown practices; unauthorized modifications of the Engine. Cummins is also not responsible for failures caused by incorrect oil, fuel or diesel exhaust fluid or by water, dirt or other contaminants in the fuel, oil or diesel exhaust fluid.

Cummins is not responsible for non-Engine repairs, "downtime" expenses, cargo damage, fines, all business costs or other losses resulting from a Warrantable Failure.

CUMMINS IS NOT RESPONSIBLE FOR INCIDENTAL OR CONSEQUENTIAL DAMAGES.

* United States includes American Samoa, the Commonwealth of Northern Mariana Islands, Guam, Puerto Rico and the U.S. Virgin Islands.

** Emissions Warranty for BLPG Industrial Off-Highway Engines is 5 years / 3,500 hours.

All Engines International Industrial (Off-Highway) Coverage

Products Warranted

This Warranty applies to new Engines sold by Cummins and delivered to the first user on or after April 1, 1999, that are used in Industrial (Off-Highway) applications anywhere in the world where Cummins approved service is available, except the United States and Canada. Different Warranty Coverage is provided for Engines used in marine, generator drive, QSK95 T4 locomotive and certain defense applications.

Base Engine Warranty

This Warranty covers any failures of the Engine, under normal use and service, which result from a defect in material or factory workmanship (Warrantable Failure).

Coverage begins with the sale of the Engine by Cummins. Coverage continues for two years or 2,000 hours of operation, whichever occurs first, from the date of delivery of the Engine to the first user, or from the date the unit is first leased, rented or loaned, or when the Engine has been operated for 50 hours, whichever occurs first. If the 2,000 hour limit is exceeded during the first year, Coverage continues until the end of the first year.

Engine aftertreatment components included in the Cummins Critical Parts List (CPL) and marked with a Cummins part number are covered under Base Engine Warranty.

Extended Major Components Warranty

The Extended Major Components Warranty covers Warrantable Failures of the Engine cylinder block, camshaft, crankshaft and connecting rods (Covered Parts).

Bushing and bearing failures are not covered.

This Coverage begins with the expiration of the Base Engine Warranty and ends three years or 10,000 hours (3,000 hours for A Series Engines) of operation, from the date of delivery of the Engine to the first user, or from the date the unit is first leased, rented or loaned, or when the Engine has been operated for 50 hours, whichever occurs first.

To buy Cummins Parts and Service Manuals, Training Guides, or Tools go to our website at <https://store.cummins.com>

These Warranties are made to all Owners in the chain of distribution, and Coverage continues to all subsequent Owners until the end of the periods of Coverage.

Cummins Responsibilities

During The Base Engine Warranty

Cummins will pay for all parts and labor needed to repair the damage to the Engine resulting from a Warrantable Failure.

Alternators, starters, and fans ARE covered for the duration of the Base Engine Warranty on A Series and B3.3 Engines.

Alternators and starters are covered for the duration of the Base Engine Warranty on QSK23 Engines.

Cummins will pay for the lubricating oil, antifreeze, filter elements and other maintenance items that are not reusable due to a Warrantable Failure.

Cummins will pay reasonable costs for mechanics to travel to and from the equipment site, including meals, mileage and lodging, when the repair is performed at the site of the failure.

Cummins will pay reasonable labor costs for Engine removal and reinstallation when necessary to repair a Warrantable Failure.

During The Extended Major Components Warranty

Cummins will pay for the repair or, at its option, replacement of the defective Covered Part and any Covered Part damaged by a Warrantable Failure of the defective Covered Part.

Owner Responsibilities

During The Base Engine Warranty

Owner is responsible for the cost of lubricating oil, antifreeze, filter elements and other maintenance items replaced during Warranty repairs unless such items are not reusable due to the Warrantable Failure.

During The Extended Major Components Warranty

Owner is responsible for the cost of all labor needed to repair the Engine, including the labor to remove and reinstall the Engine. When Cummins elects to repair a part instead of replacing it, Owner is not responsible for the labor needed to repair the part.

Owner is responsible for the cost of all parts required for the repair except for the defective Covered Part and any Covered Part damaged by a Warrantable Failure of the defective Covered Part.

Owner is responsible for the cost of lubricating oil, antifreeze, filter elements and other maintenance items replaced during repair of a Warrantable Failure.

During The Base Engine Warranty And Extended Major Components Warranties

Owner is responsible for the operation and maintenance of the Engine as specified in the applicable Cummins Operation and Maintenance Manual. Owner is also responsible for providing proof that all recommended maintenance has been performed.

Before the expiration of the applicable Warranty, Owner must notify a Cummins distributor, authorized dealer or other repair location approved by Cummins of any Warrantable Failure and make the product available for repair by such facility. Service locations are listed in the Cummins Worldwide Service Locator at cummins.com.

Owner is responsible for communication expenses, meals, lodging and similar costs incurred as a result of a Warrantable Failure.

Owner is responsible for non-Engine repairs, "downtime" expenses, cargo damage, fines, all applicable taxes, all business costs and other losses resulting from a Warrantable Failure.

Limitations

Engines with an emissions certification listed below must be operated using only diesel fuel having no more than the corresponding maximum sulfur content. Failure to use the specified fuel as listed in the Cummins Fuel Bulletin #3379001 Table 1 (Cummins Inc. Required Diesel Fuel Specifications) can damage the Engine and aftertreatment system within a short period of time. This damage could cause the Engine to become inoperable and failures attributable to the use of incorrect fuels will be denied Warranty Coverage. Fuel specifications also need to comply with local fuel regulations (EN590 for Europe and ASTM D975 for North America) for Warranty eligibility.

To buy Cummins Parts and Service Manuals, Training Guides, or Tools go to our website at <https://store.cummins.com>

Maximum sulfur levels by emissions certification level as listed on the Engine's dataplate are:

EPA 2007/2010/2013	max. 15 parts per million
EPA Tier 4 Interim / Final	max. 15 parts per million
EU Stage IIIB 2011	max. 15 parts per million
Euro 4/5	max. 50 parts per million
Euro 6	max. 10 parts per million

Cummins is not responsible for failures or damage resulting from what Cummins determines to be abuse or neglect, including, but not limited to: operation without adequate coolants or lubricants; overfueling; overspeeding; lack of maintenance of lubricating, cooling or intake systems; improper storage, starting, warm-up, run-in or shutdown practices; unauthorized modifications of the Engine. Cummins is also not responsible for failures caused by incorrect oil, fuel or diesel exhaust fluid or by water, dirt or other contaminants in the fuel, oil or diesel exhaust fluid.

For power units and fire pumps (package units) the Warranty applies to accessories, except for clutches and filters supplied by Cummins which bear the name of another company.

Cummins Compusave units are covered by a separate Warranty.

Before a claim for excessive oil consumption will be considered, Owner must submit adequate documentation to show that consumption exceeds Cummins published standards.

Failures of belts and hoses supplied by Cummins are not covered beyond the first 500 hours or one year of operation, whichever occurs first.

Parts used to repair a Warrantable Failure may be new Cummins parts, Cummins approved rebuilt parts or repaired parts. Cummins is not responsible for failures resulting from the use of parts not approved by Cummins.

A new Cummins or Cummins approved rebuilt part used to repair a Warrantable Failure assumes the identity of the part it replaced and is entitled to the remaining Coverage hereunder.

For all A Series Applications, including Industrial, travel reimbursement for non-transportable equipment will be limited to 4.0 hours, \$0.25/mile and 250 miles maximum. Any costs beyond this limit are the customer's responsibility.

CUMMINS DOES NOT COVER WEAR OR WEAROUT OF COVERED PARTS.

CUMMINS IS NOT RESPONSIBLE FOR INCIDENTAL OR CONSEQUENTIAL DAMAGES.

THESE WARRANTIES SET FORTH HEREIN ARE THE SOLE WARRANTIES MADE BY CUMMINS IN REGARD TO THESE ENGINES. CUMMINS MAKES NO OTHER WARRANTIES, EXPRESS OR IMPLIED, OR OF MERCHANTABILITY OR FITNESS FOR A PARTICULAR PURPOSE.

In the case of consumer sales, in some countries, the Owner has statutory rights which cannot be affected or limited by the terms of this Warranty.

Nothing in this Warranty excludes or restricts any contractual rights the Owner may have against third parties.

To buy Cummins Parts and Service Manuals, Training Guides, or Tools go to our website at <https://store.cummins.com>

California Emission Control System Warranty, Off-Highway Products Warranted

This Emission Control System Warranty applies to off-road diesel engines certified with the California Air Resources Board beginning with the year 1996 for engines up to 750 horsepower, beginning with the year 2000 for 751 horsepower and over, marketed by Cummins, and registered in California for use in industrial off-highway applications.

Your Warranty Rights and Obligations

The California Air Resources Board and Cummins Engine Company, Inc., are pleased to explain the emission control system warranty on your engine. In California, new off-road diesel engines must be designed, built and equipped to meet the State's stringent anti-smog standards. Cummins must warrant the emission control system on your engine for the periods of time listed below provided there has been no abuse, neglect or improper maintenance of your engine.

Your emission control system may include parts such as the fuel injection system and the air induction system. Also included may be hoses, belts, connectors and other emission-related assemblies.

Where a warrantable condition exists, Cummins will repair your off-road diesel engine at no cost to you including diagnosis, parts and labor.

Manufacturer's Warranty Coverage

This warranty coverage is provided for 5 years or 3,000 hours of engine operation, whichever first occurs from the date of delivery of the engine to the first user. If any emission-related part on your engine is defective, the part will be repaired or replaced by Cummins.

Coverage

This emission control system warranty applies only to the following A series, B3.3, B3.9, B4.5s, B5.9, B6.7s, QSB3.9-30, QSB4.5-30, QSB5.9-30, QSB5.9-44, C8.3, QSC8.3, QSF2.8, QSF3.8, and QSL9 emission control parts:

EPA Diesel**Aftertreatment System
Component**

Aftertreatment Electrical Connections
 Aftertreatment Fuel Drain Valve
 Aftertreatment Fuel Injector/Regulator
 Aftertreatment Fuel Pressure Sensor
 Aftertreatment Fuel Shut-Off Valve
 Aftertreatment Injector Manifold
 Aftertreatment Inlet and Outlet Modules
 Aftertreatment Temperature Interface Module
 Aftertreatment Temperature Sensors

**Aftertreatment System (cont')
Component**

Decomposition Tube

**Base Engine System
Component**

Camshaft
 Camshaft Injector Lobe
 Camshaft Valve Lobe
 Coolant Temperature Sensor
 Crankcase Breather
 Engine Oil Pressure Sensor
 Engine Speed, Position Sensor, Cam Position Sensor
 Exhaust Valve
 Static Cam Timing

**EGR System
Component**

EGR Cooler

To buy Cummins Parts and Service Manuals, Training Guides, or Tools go to our website at <https://store.cummins.com>

EPA Diesel

DEF Dosing Controller (DCU)
 DEF Dosing Unit (Pump)
 DEF Dosing Valve
 Diesel Oxidation Catalyst
 Diesel Particulate Filter (except for ash maintenance)
 Diesel Particulate Filter Differential Pressure Sensor
 NH3 Sensor
 NOx Sensors
 SCR Catalyst

**Air Handling
Component**

Barometric Air Pressure Sensor
 Exhaust Gas Pressure Sensor
 Exhaust Manifold
 Grid Heater
 Humidity Sensor
 Intake Air Throttle Actuator

EGR Differential Pressure Sensor
 EGR Mixer/Venturi
 EGR Temperature Sensor
 EGR Valve

**Electronic Control System
Component**

Engine Control Module
 Wiring Harness Circuits Connected at Both Ends to
 Emissions Warrantable Components
 Engine Control Module Calibration
 Engine Control Module Calibration

To buy Cummins Parts and Service Manuals, Training Guides, or Tools go to our website at <https://store.cummins.com>

EPA Diesel

Intake Manifold

Intake Manifold Air Temperature Sensor

**Air Handling (cont')
Component**

Intake Manifold Temperature/Pressure Sensor

Turbocharger Actuator

Turbocharger Assembly

Turbocharger Compressor Inlet Air Temperature Sensor

Turbocharger Speed Sensor

**Ignition System
Component**

Ignition Coils

Ignition Control Module

Fuel System**Component**

Fuel Control Valve

Fuel Lines

Fuel Pressure Sensor

Fuel Pump

Fueling/Timing Actuators

**Fuel System (cont')
Component**

Injector

Secondary Fuel Pressure/Temperature Sensor

To buy Cummins Parts and Service Manuals, Training Guides, or Tools go to our website at <https://store.cummins.com>

QSB4.5 and QSB6.7
Section W - Warranty

Page W-17

Owner's Warranty Responsibilities

As the off-road diesel engine owner, you are responsible for the performance of the required maintenance listed in your Cummins Operation and Maintenance Manual. Cummins recommends that you retain all receipts covering maintenance on your off-road diesel engine, but Cummins cannot deny warranty solely for the lack of receipts or for your failure to ensure the performance of all scheduled maintenance.

You are responsible for presenting your off-road diesel engine to a Cummins dealer as soon as a problem exists. The warranty repairs should be completed in a reasonable amount of time, not to exceed 30 days.

As the off-road diesel engine owner, you should also be aware that Cummins may deny you warranty coverage if your off-road diesel engine or a part has failed due to abuse, neglect, improper maintenance or unapproved modifications.

Your engine is designed to operate on diesel fuel only. Use of any other fuel may result in your engine no longer operating in compliance with California's emissions requirements.

If you have any questions regarding your warranty rights and responsibilities, you should contact Cummins Customer Assistance Department at 1-800-343-7357 (1-800-DIESELS) or the California Air Resources Board at 9528 Telstar Avenue, El Monte, CA 91731.

Prior to the expiration of the applicable warranty, Owner must give notice of any warranted emission control failure to a Cummins distributor, authorized dealer or other repair location approved by Cummins and deliver the engine to such facility for repair. Repair locations are listed in Cummins United States and Canada Service Directory.

Owner is responsible for incidental costs such as: communication expenses, meals, lodging incurred by Owner or employees of Owner as a result of a warrantable failure.

Owner is responsible for business costs and losses, "downtime" expenses, and cargo damage resulting from a warrantable failure. CUMMINS IS NOT RESPONSIBLE FOR OTHER INCIDENTAL OR CONSEQUENTIAL DAMAGES, INCIDENTAL OR CONSEQUENTIAL DAMAGES INCLUDE BUT ARE NOT LIMITED TO FINES, THEFT, VANDALISM OR COLLISIONS.

Replacement Parts

To buy Cummins Parts and Service Manuals, Training Guides, or Tools go to our website at <https://store.cummins.com>

Cummins recommends that any service parts used for maintenance, repair or replacement of emission control systems be new, genuine Cummins or Cummins approved rebuilt parts and assemblies, and that the engine be serviced by a Cummins distributor, authorized dealer or the repair location approved by Cummins. The owner may elect to have maintenance, replacement or repair of the emission control parts performed by a facility other than a Cummins distributor, an authorized dealer or a repair location approved by Cummins, and may elect to use parts other than new genuine Cummins or Cummins approved rebuilt parts and assemblies for such maintenance, replacement or repair; however, the cost of such service or parts will not be covered under this emission control system warranty.

Cummins Responsibilities

Repairs and service will be performed by any Cummins distributor, authorized dealer or other repair location approved by Cummins using new, genuine Cummins or Cummins approved rebuilt parts and assemblies. Cummins will repair any of the emission control parts found by Cummins to be defective without charge for parts or labor (including diagnosis which results in determination that there has been a failure of a warranted emission control part).

Emergency Repairs

In the case of an emergency where a Cummins distributor, authorized dealer, or other repair location approved by Cummins is not available, repairs may be performed by any available repair location using any replacement parts. Cummins will reimburse the Owner for expenses (including diagnosis), not to exceed the manufacturer's suggested retail price for all warranted parts replaced and labor charges based on the manufacturer's recommended time allowance for the warranty repair and the geographically appropriate hourly labor rate. A part not being available within 30 days or a repair not being complete within 30 days constitutes an emergency. Replaced parts and paid invoices must be presented at a Cummins authorized repair facility as a condition of reimbursement for emergency repairs not performed by a Cummins distributor, authorized dealer, or other repair location approved by Cummins.

Warranty Limitations

Cummins is not responsible for failures resulting from Owner or operator abuse or neglect, such as: operation without adequate coolant, fuel or lubricants; overfueling; overspeeding; lack of maintenance of lubricating, cooling or air intake systems; improper storage, starting, warm-up, run-in or shutdown practices.

To buy Cummins Parts and Service Manuals, Training Guides, or Tools go to our website at <https://store.cummins.com>

The manufacturer warrants to the ultimate purchaser and each subsequent purchaser that the engine is designed, built, and equipped so as to conform with all applicable regulations adopted by the Air Resources Board, and that it is free from defects in materials and workmanship which cause the failure of a warranted part.

Any warranted part which is not scheduled for replacement as required maintenance, or which is scheduled only for regular inspection to the effect of "repair or replace as necessary" is warranted for the warranty period.

Any warranted part which is scheduled for replacement as required maintenance is warranted for the period of time prior to the first scheduled replacement point for that part.

The owner will not be charged for diagnostic labor which leads to the determination that a warranted part is defective, if the diagnostic work is performed at a warranty station.

The manufacturer is liable for damages to other engine components caused by the failure under warranty of any warranted part.

Cummins is not responsible for failures resulting from improper repair or the use of parts which are not genuine Cummins or Cummins approved parts.

These warranties, together with the express commercial warranties and emission warranty are the sole warranties of Cummins. There are no other warranties, express or implied, or of merchantability or fitness for a particular purpose.

Index
Page X-2

All Engines United States And Canada Industrial (Off-Highway)W-1
Operating Instructions - Overview1-1
 General Information.....1-1
Operating the Engine1-10
 Normal.....1-10
 Winterfronts and Shutters.....1-11
Routine Service and PartsS-2
 General Information.....S-2
Service AssistanceS-1
 General Information.....S-1
Service Literature Ordering LocationL-4
 Contact Information.....L-4
Starting Procedure After Extended Shutdown or Oil Change1-9
 General Information.....1-9
SymbolsI-1
 General Information.....i-1

Cummins Inc.
Box 3005
Columbus, Indiana, U.S.A., 47202

www.cummins.com

Copyright© 2017
Cummins Inc.

Bulletin 4915973
Printed in U.S.A. 29-JULY-2017

