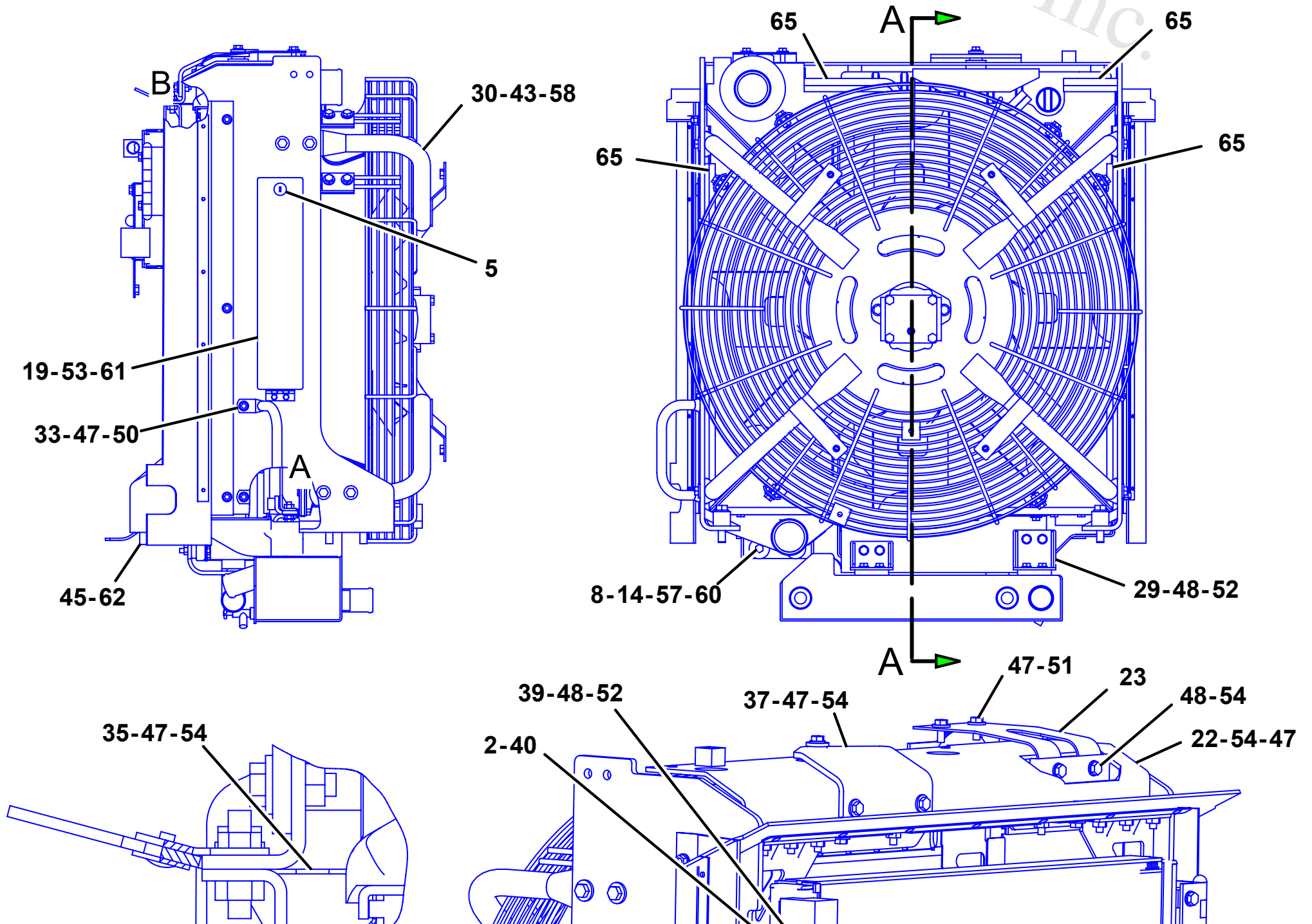
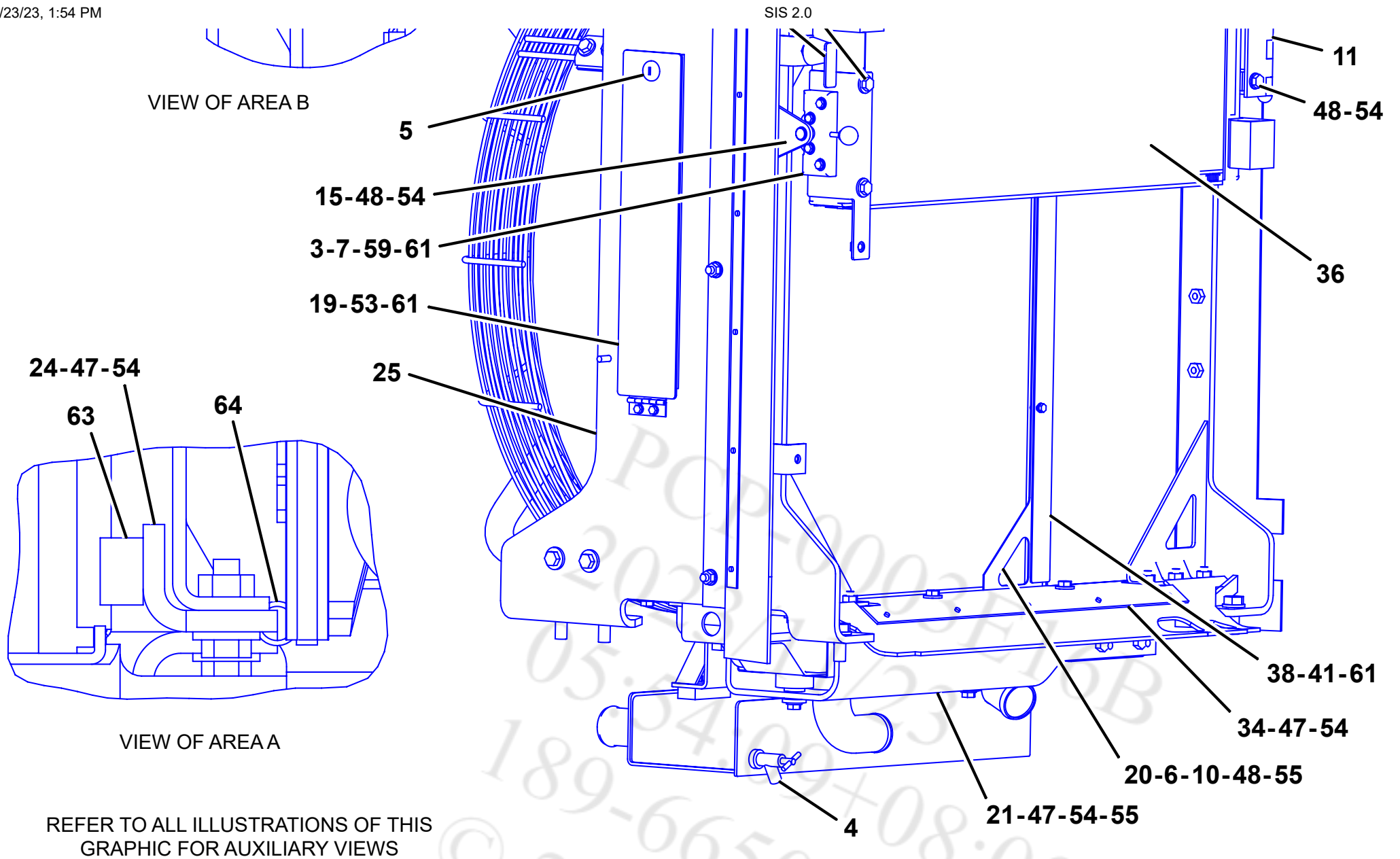
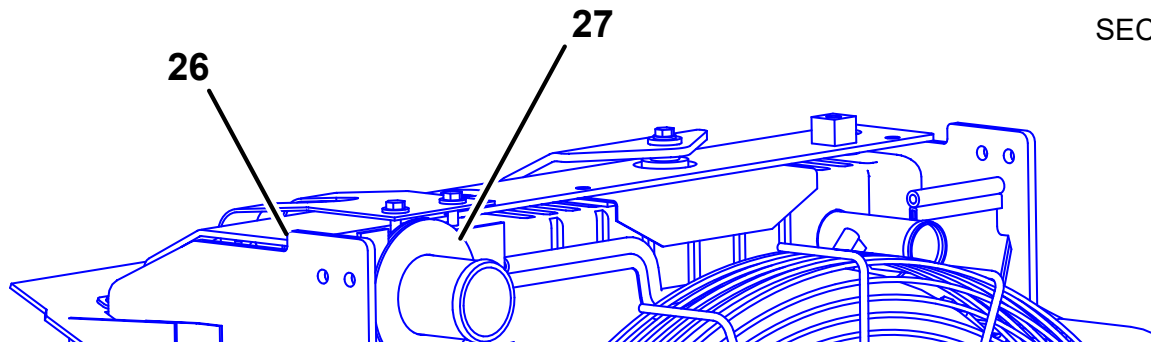
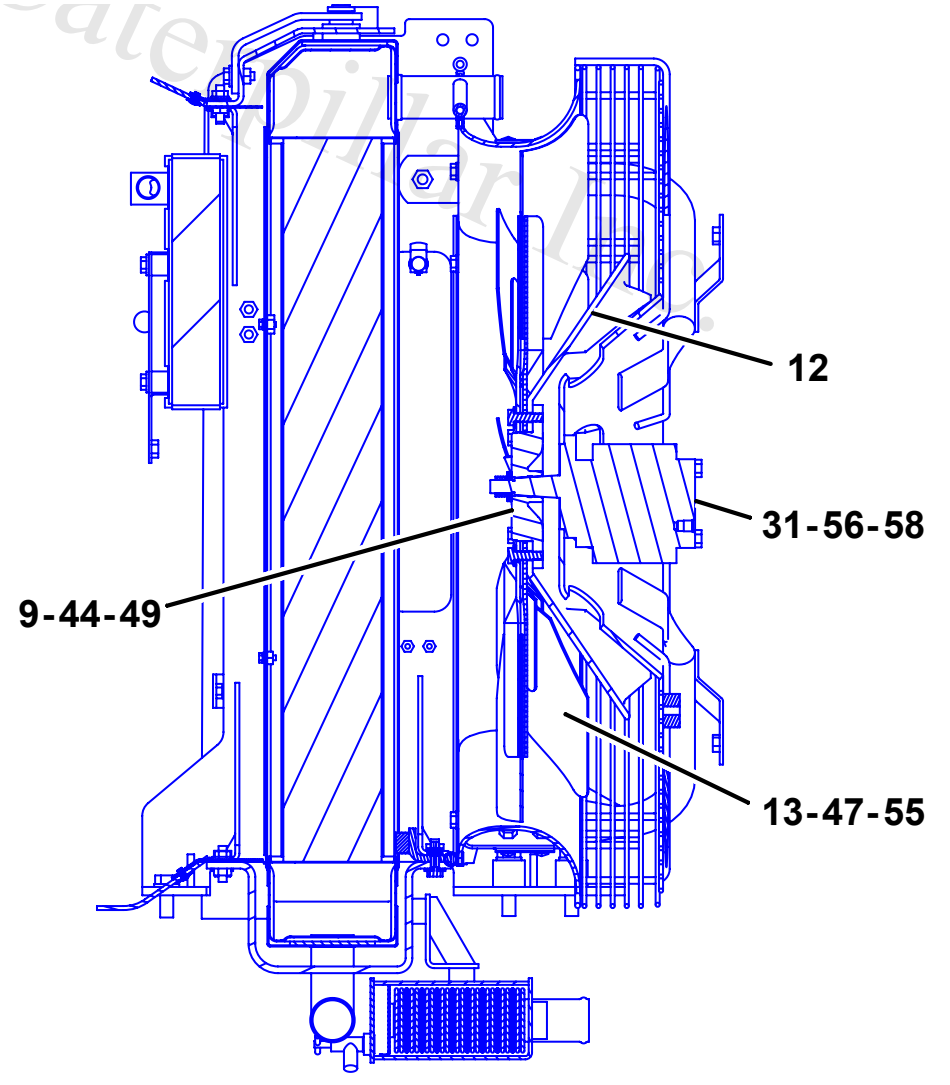
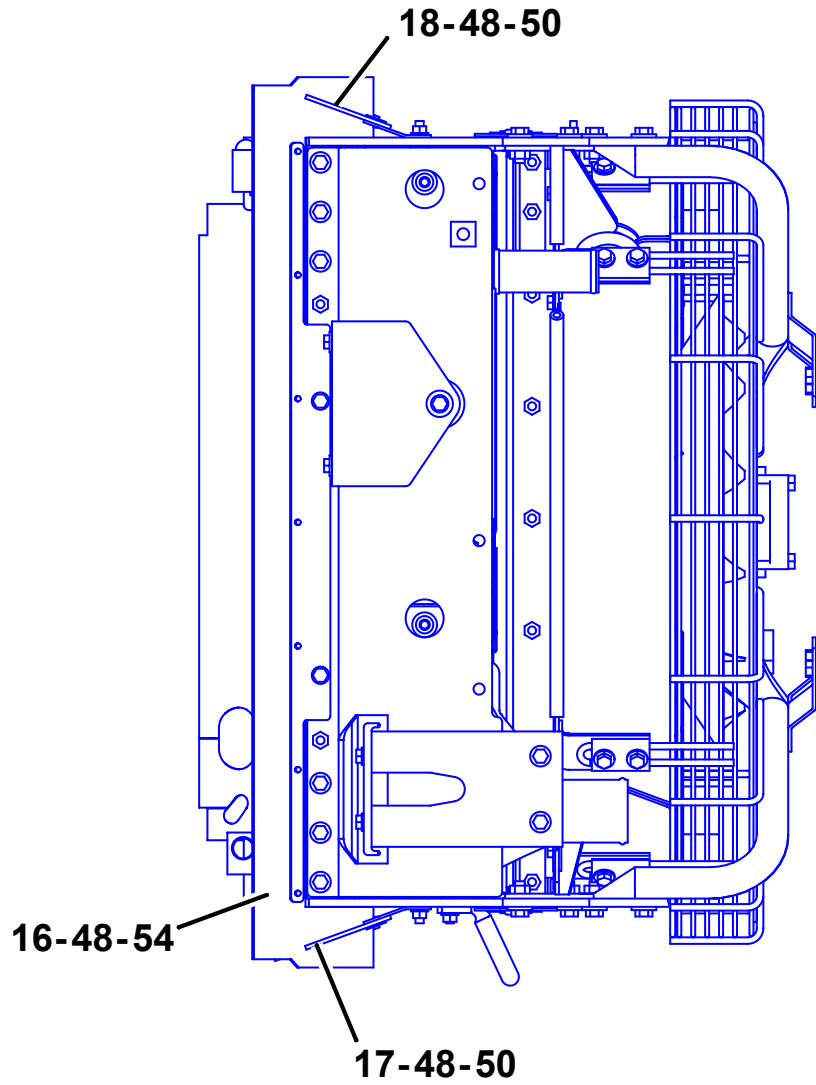


PCP-0003E16B
2023/11/23
05:54:09+08:00
189-6650
© 2023 Caterpillar Inc

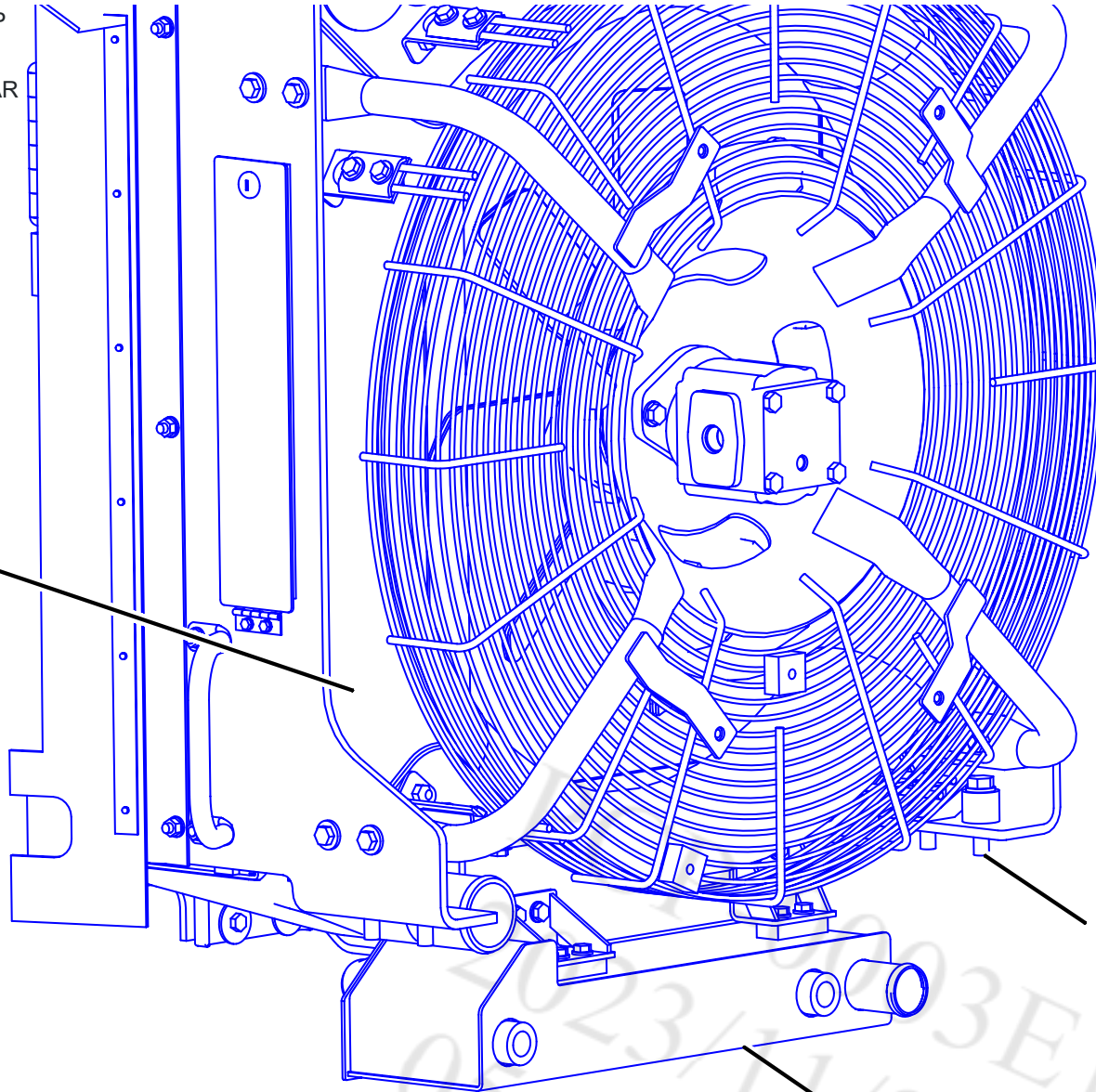






189-6650 RADIATOR & FAN GP
S/N AYB403-491
PART OF 215-6926 CHASSIS AR

32-42-48-51



1-46-62

28

Image #	Callout #	Part Number	Part Name	Quantity
Group Part				
		189-6650	Radiator & Fan GP	
Part List Items				
2	1	3R-8530	Boss (16.75X38X31.8-MM Thk)	4
1	2	4E-1384	Bumper-Conical	1
1	3	5V-8780	Knob	1
1	4	8F-8151	Valve-Shutoff	1
1	5	8T-2893	Lock GP-Cylinder	2
(EACH INCLUDES)				
1		7F-9223	Lockwasher	1
1		8T-5004	Screw-Machine (1/4-28X0.375-IN)	1
1	6	9L-8781	Washer (0.406X1.5X0.188-IN Thk)	3
1	7	112-5345	Latch AS-Door	1
1	8	121-3307	Mount AS-Resilient	2
(EACH INCLUDES)				
1		8T-4226	Washer-Plated (10.5X45X3-MM Thk)	1
2	9	137-4238	Adapter	1
1	10	164-4413	Mount	3
1	11	176-0326	Hinge AS	1
2	12	184-0846	Deflector	1
2	13	186-0116	Spider AS-Fan (8-BLADE)	1
1	14	186-0117	Aftercooler AS	1
1	15	187-4007	Bracket AS	1
2	16	188-5039	Baffle AS	1
2	17	188-5040	Baffle AS	1
2	18	188-5041	Baffle AS	1
1	19	189-5594	Cover AS	2
(EACH INCLUDES)				
1		194-5278	Hinge	1
1	20	189-6651	Core AS-Radiator	1
1	21	189-6653	Bracket AS	1
1	22	189-6654	Angle AS	1
1	23	189-6656	Support AS	1
1	24	189-6657	Angle AS	1
1	25	189-6658	Support AS (LH)	1
2	26	189-6659	Support AS (RH)	1
2	27	190-1125	Grommet	1
2	28	190-5004	Tank AS-Radiator (Transmission Oil Cooler Core)	1
1	29	190-5106	Bracket AS	2

Image #	Callout #	Part Number	Part Name	Quantity
1	30	191-1932 Y	Guard GP-Fan	1
2	31	191-2943 Y	Motor GP-Gear (Hydraulic Fan)	1
2	32	195-0349	Shroud AS	1
1	33	199-3755	Handle	1
1	34	201-7944	Baffle AS	1
1	35	201-7947	Baffle	1
1	36	202-1328	Core AS-Hydraulic Oil Cooler	1
1	37	204-7961	Plate	1
1	38	204-9877	Baffle	2
1	39	209-5373	Bracket AS	1
1	40	5C-7261 M	Nut (M8X1.25-THD)	1
1	41	5C-9553 M	Bolt (M6X1X16-MM)	4
2	42	5I-3878	Grommet (50-MM Id)	1
1	43	5P-1076	Washer-Hard (13.5X30X4-MM Thk)	8
2	44	7X-0515	Washer-Hard (17X35X5-MM Thk)	1
1	45	7X-2553 M	Bolt (M16X2X40-MM)	2
2	46	7X-2554 M	Bolt (M16X2X70-MM)	4
1,2	47	7X-7729	Washer (11X25X3-MM Thk)	39
1,2	48	8T-4121	Washer-Hard (11X21X2.5-MM Thk)	35
2	49	8T-4132 M	Nut (M16X2-THD)	1
1,2	50	8T-4133 M	Nut (M10X1.5-THD)	8
1,2	51	8T-4136 M	Bolt (M10X1.5X25-MM)	8
1	52	8T-4137 M	Bolt (M10X1.5X20-MM)	10
1	53	8T-4138 M	Bolt (M6X1X20-MM)	4
1,2	54	8T-4195 M	Bolt (M10X1.5X30-MM)	33
1,2	55	8T-4196 M	Bolt (M10X1.5X35-MM)	15
2	56	8T-4223	Washer-Hard (13.5X25.5X3-MM Thk)	2
1	57	8T-4226	Washer-Plated (10.5X45X3-MM Thk)	2
1,2	58	8T-4956 M	Bolt (M12X1.75X35-MM)	10

D - Order By The Meter
E - Order By The Centimeter
M - Metric Part
Y - Separate Illustration

Image #	Callout #	Part Number	Part Name	Quantity
1	59	8T-4971 M	Bolt (M6X1X30-MM)	4
1	60	8T-6466 M	Bolt (M10X1.5X60-MM)	2
1	61	9X-8256	Washer (6.6X12X2-MM Thk)	12
1,2	62	9X-8257	Washer	6

Image #	Callout #	Part Number	Part Name	Quantity
			(17.5X30X3.5-MM Thk)	
1	63	5P-7483 D	Seal (0.9-M)	
1	64	054-7915 D	Seal (2.3-M)	
1	65	3E-8349 E	Seal (90-CM)	