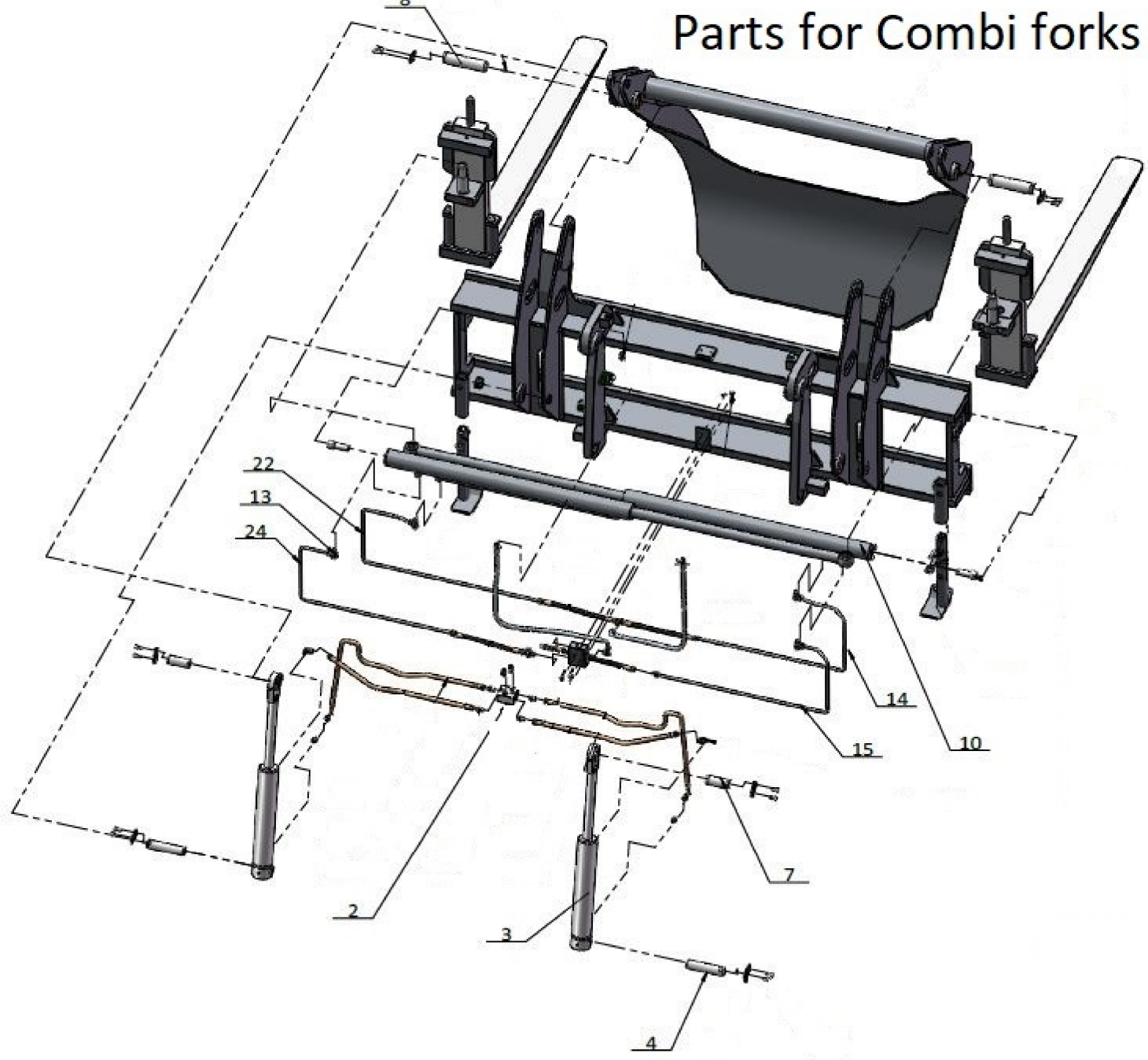


# Parts for Combi forks



2450mm wide combi forks with hydraulic grab and hydraulic tyne positioning. Fitted with 1600mm long tynes. Has Electric/Hyd solenoid to operated grab/forks

- |                        |              |
|------------------------|--------------|
| 2 valve body assy kit  | SP-000812    |
| 3 hyd ram cylinder     | SP-000096    |
| 4 PIN 2 bottom of ram  | TGF70-000002 |
| 7 PIN 3 top of ram     | TGF70-000003 |
| 8 PIN 1 arm to frame   | TGF70-000001 |
| 10 hyd ram cylinder    | SP-000039    |
| 13 hinged link head    | SP-000500    |
| 14 steel oil pipe RH2  | SP-000325    |
| 15 steel oil pipe RH1  | SP-000326    |
| 22 steel oil pipe LH2  | SP-000327    |
| 24 steel oil pipe LH1  | SP-000328    |
| seal kits for cylinder | SP-000039    |
| seal kits              | SP-000039    |