

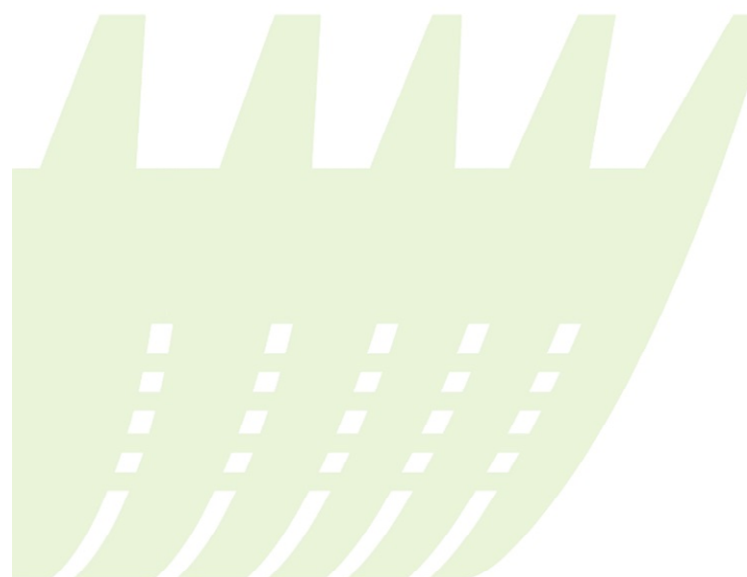
Operators Manual

Compaction Wheel for Excavator



Size Range: 5 ton to 40 ton

Make: AU





230-232 Welshpool Rd
Welshpool WA 6106
e team@auhire.com.au
w www.auhire.com.au

1300 059 612

e team@aubuckets.com.au
w www.aubuckets.com.au



e team@allused.com.au
w www.allused.com.au



Contents

OVERVIEW..... 3

KEY BENEFITS 3

SAFETY EQUIPMENT..... 4

INSTALLATION/ OPERATION 4

SPECIFICATIONS. 5





230-232 Welshpool Rd
Welshpool WA 6106
e team@auhire.com.au
w www.auhire.com.au

1300 059 612

e team@aubuckets.com.au
w www.aubuckets.com.au



e team@allused.com.au
w www.allused.com.au



OVERVIEW

An excavator attachment for compacting ground material.

The Excavator Compaction Wheel reduces voids in ground material and increases its density, providing the surface with load-bearing strength. It has been designed primarily for use in trenches and on embankments.

The key benefit of using a compaction wheel is that the excavator's own weight is used to deliver force. This provides better compaction performance compared to a standard compaction plate or a trench roller. An integrated stand keeps the Excavator Compaction Wheel upright when not in use and aids the operator when attaching it to the excavator.

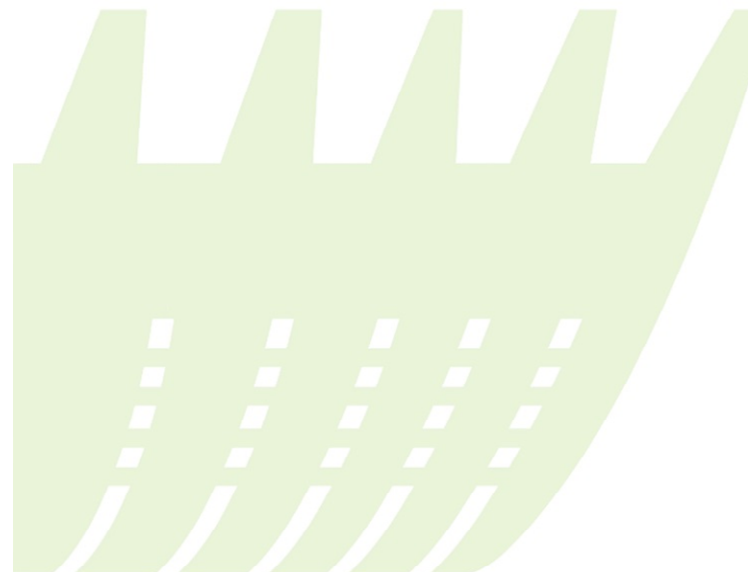
This manual provides general guidelines for the safe operation of the attachment, but specific compatibility with your excavator may vary.

KEY BENEFITS

Strong, compact design.

No motor or hydraulic connections required.

Quick and simple to attach.



SAFETY EQUIPMENT

Ensure all personnel using, installing, maintaining, or repairing this equipment have the following safety equipment and ensure all operators of this equipment are trained in the use of the excavator in use of the COMPACTION WHEEL and are aware of the safety requirements and accident prevention requirements on individual sites.

- Suitable Clothing
- Protective footwear (steel toecaps)
- Safety Glasses
- Reflective Safety Vest
- Hearing/Ear Protection

1. Keep personnel and bystanders clear of the COMPACTION WHEEL while in operation.
2. The COMPACTION WHEEL must not be operated unless the operator is in full control of the excavator. Operate the COMPACTION WHEEL from the operator's seat only.
3. Make daily visual inspections of all bolts/fasteners, bearings, and the ears connecting to the excavator.

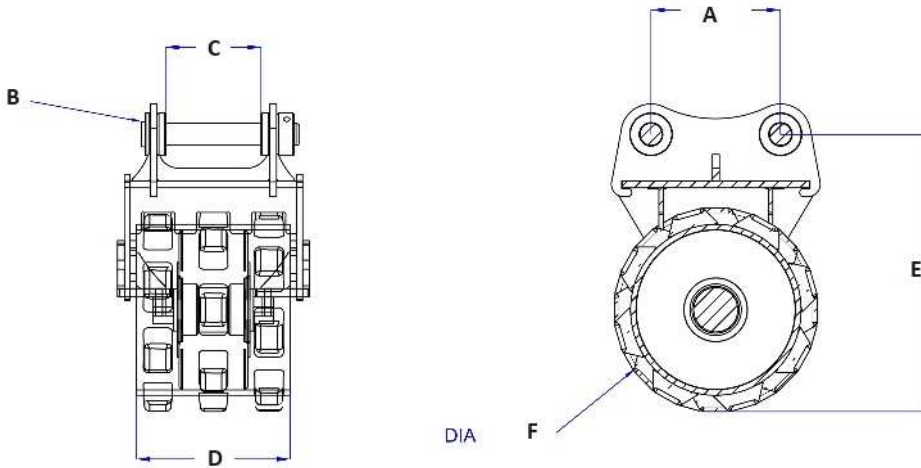
INSTALLATION/ OPERATION

1. Follow safety rules and the instructions in your machine's operator manual to attach the Compaction wheel to your machine.
2. Select relevant size pins to match your machine's quick hitch, refer to quick hitch documentation if applicable.
3. Check for debris in the quick hitch locking mechanism and check the fit of the unit on the quick hitch, do not use if not secure.
4. Move the excavator arm back and forth in straight lines, maintaining even pressure where possible, to achieve the most even and consistent compaction.
5. Once the Excavator Compaction Wheel is no longer needed, release from the quick hitch.
6. Store upright when not in use.

Store in upright position



SPECIFICATIONS.



All sizes in mm.

A - Pin centers	B - Pin size	C - In-between Ears	D - Wheel width	E - Height size	F - Wheel Diameter	Weight of wheel kg
270	45	200	450	650	460	230
340	45	200	450	650	460	230
230	45	200	450	650	460	230
310	50	210	450	730	550	255
300	60	260	450	730	540	270
370	60	260	450	730	540	270
430	60	280	450	730	540	270
380	65	280	450	810	600	380
410	65	280	450	810	600	380
445	80	350	570	1150	880	790
470	80	350	570	1150	880	790
500	90	415	650	1380	1050	1220
565	90	415	650	1380	1050	1220
570	100	486	650	1385	1050	1250
540	100	486	650	1385	1050	1250