

Operators Manual

Hydraulic Tilt Bucket for Excavator



Size Range 5-40 ton

Make: AU





230-232 Welshpool Rd
Welshpool WA 6106
e team@auhire.com.au
w www.auhire.com.au

1300 059 612

e team@aubuckets.com.au
w www.aubuckets.com.au



e team@allused.com.au
w www.allused.com.au



Contents

OVERVIEW..... 3

SAFETY EQUIPMENT..... 3

INSTALLATION 3

OPERATION 4

MAINTENANCE..... 4

SPECIFICATIONS 5



OVERVIEW

An excavator attachment for picking up material.

The hydraulic Tilt Bucket attachment allows for level grading on uneven terrain, providing a smooth tilting action and allowing for efficient loading capabilities. They are designed specifically to reach those awkward spots with less repositioning of your excavator. They are commonly used for the following jobs, but not limited to other work tasks: Light material loading and moving. Ditching and grading.

It has easily accessible grease points ensure that the Hydraulic Tilt Bucket is easy to maintain, reducing downtime and increasing efficiency.

This manual provides general guidelines for the safe operation of the attachment, but specific compatibility with your excavator may vary.

SAFETY EQUIPMENT

Ensure all personnel using, installing, maintaining, or repairing this equipment have the following safety equipment and ensure all operators of this equipment are trained in the use of the loader in use of the HYDRAULIC TILT BUCKET and are aware of the safety requirements and accident prevention requirements on individual sites.

- Safety Footwear
- Safety Glasses
- Reflective Safety Vest
- Hearing/Ear Protection

1. Keep personnel and bystanders clear of the HYDRAULIC TILT BUCKET while in operation.
2. The HYDRAULIC TILT BUCKET must not be operated unless the operator is in full control of the Excavator. Operate the HYDRAULIC TILT BUCKET from the operator's seat only.
3. Make daily visual inspections of all fasteners, hoses, and the TILT Bucket.
4. Do not stand beneath the attachment or load during operation.

INSTALLATION

1. Follow safety rules and the instructions in your machine's operator manual to attach the HYDRAULIC TILT BUCKET to your machine. Attach hydraulic hoses and couplings after attaching HYDRAULIC TILT BUCKET.
2. Ensure that the hydraulic lines are connected correctly and securely to the excavator's hydraulic system.
3. Verify that all hydraulic connections are free of leaks.
4. Double-check the attachment's secure fit on the excavator.
5. Follow excavator's operations instructions in relation to pressure, reverse flow and lift capacities.



230-232 Welshpool Rd
Welshpool WA 6106
e team@auhire.com.au
w www.auhire.com.au

1300 059 612

e team@aubuckets.com.au
w www.aubuckets.com.au



e team@allused.com.au
w www.allused.com.au

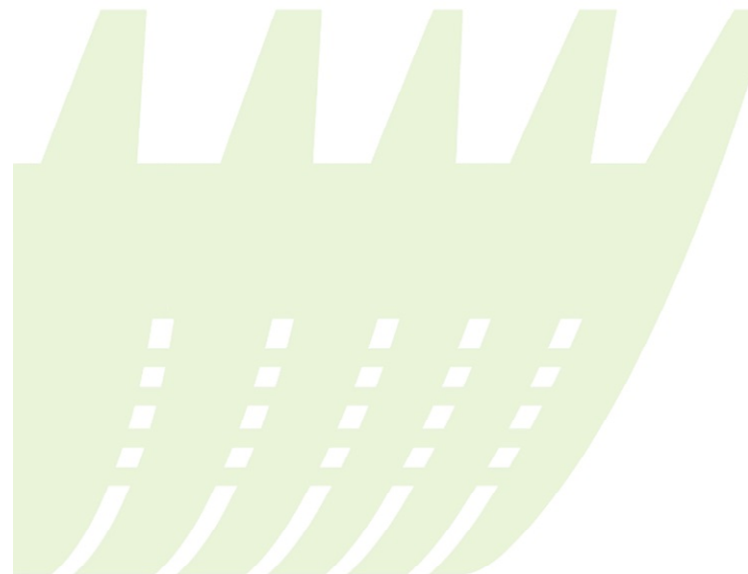


OPERATION

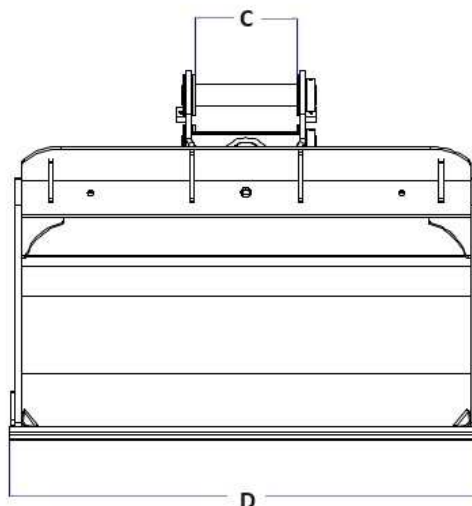
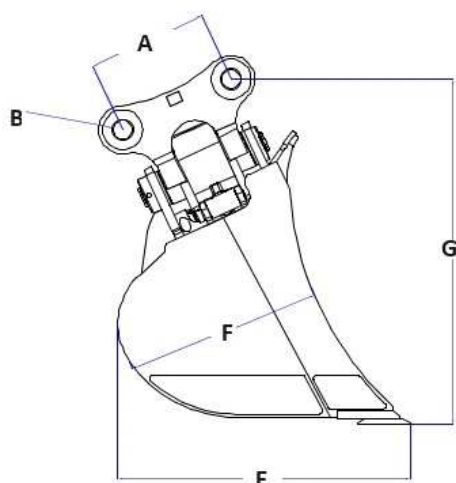
1. Start the excavator's engine and allow it to warm up.
2. Familiarize yourself with the excavator's controls and the attachment's control system.
3. Gently test the hydraulic TILT Bucket's functions to ensure proper operation before full use.
4. Use the attachment to TILT Bucket and manipulate materials as needed, following safe lifting and loading procedures.

MAINTENANCE

1. Regularly inspect hydraulic hoses, connectors, and cylinders for signs of wear or damage.
2. Lubricate moving parts and grease points.
3. Keep all control surfaces and buttons clean and free of debris.
4. Perform regular maintenance as outlined in the excavator's and attachment's manuals.



SPECIFICATIONS



All sizes in mm.

A - Pin centers	B - Pin size	C - In-between Ears	D - TILT Bucket width	E - Base size	F - Depth size	G - Total Height	Capacity m3	Weight of TILT Bucket kg
270	45	200	1200	570	400	860	0.2	300
340	45	200	1200	570	400	860	0.2	300
230	45	200	1200	570	400	860	0.2	300
310	50	210	1200	570	400	860	0.2	300
300	60	260	1500	685	505	915	0.3	390
370	60	260	1500	685	505	915	0.3	390
430	60	280	1500	685	505	915	0.3	390
380	65	280	1750	750	600	994	0.5	650
410	65	280	1750	750	600	994	0.5	650
445	80	350	1950	1030	680	1300	0.8	1060
470	80	350	1950	1030	680	1300	0.8	1060
500	90	415	2060	1215	850	1590	1.3	1640
565	90	415	2060	1215	850	1590	1.3	1640
570	100	486	2260	1400	935	1650	1.6	1700
540	100	486	2260	1400	935	1650	1.6	1700

Flow pressures

5 ton machine	40-60 lpm	Pressure 200 bar max
8-12 ton machine	40-60 lpm	Pressure 200 bar max
15-20 ton machine	40-60 lpm	Pressure 200 bar max
30 ton plus	40-60 lpm	Pressure 200 bar max